



SKYHAWK

SURVEILLANCE

SATA Product Manual

Standard models

ST2000LV000

ST1000LV000

100813751, Rev. E

February 2019

Document Revision History

| Revision | Date | Pages affected and Description of change |
|----------|------------|--|
| Rev. A | 12/13/2016 | Initial release. |
| Rev. B | 02-23-2017 | 5: Updated 24 x 7 surveillance bullets 6-7 & 13: Added case temperature footnote 6 & 8: 1TB weight - 90g 7: Added Power-off/Flush Command note after Table 1 7 & 16: Removed Rated Workload sections 16: Added Section 2.11.1 Data loss under power interruption with write cache enabled 19-20: Updated mechanical drawings |
| Rev. C | 10-06-2017 | 17-20: Updated Sections 2.12 through 2.13.3 22-24: Updated Figures 4-6 (mechanical drawings) |
| Rev. D | 08-17-2018 | 20: Updated Table 11: Taiwan - Restricted Substances |
| Rev. E | 02-01-2019 | 22: Added Section 3.3 Drive grounding & Figures 4 & 5. bc: Updated EMEA & APAC addresses |

© 2019 Seagate Technology LLC. All rights reserved.

Publication number: 100813751, Rev. E February 2019

Seagate, Seagate Technology and the Spiral logo are registered trademarks of Seagate Technology LLC in the United States and/or other countries. SeaTools and 3D Defense System are either a trademark or registered trademark of Seagate Technology LLC or one of its affiliated companies in the United States and/or other countries. The FIPS logo is a certification mark of NIST, which does not imply product endorsement by NIST, the U.S., or Canadian governments. All other trademarks or registered trademarks are the property of their respective owners.

No part of this publication may be reproduced in any form without written permission of Seagate Technology LLC.
Call 877-PUB-TEK1(877-782-8351) to request permission.

When referring to drive capacity, one gigabyte, or GB, equals one billion bytes and one terabyte, or TB, equals one trillion bytes. Your computer's operating system may use a different standard of measurement and report a lower capacity. In addition, some of the listed capacity is used for formatting and other functions, and thus will not be available for data storage. Actual quantities will vary based on various factors, including file size, file format, features and application software. Actual data rates may vary depending on operating environment and other factors. The export or re-export of hardware or software containing encryption may be regulated by the U.S. Department of Commerce, Bureau of Industry and Security (for more information, visit www.bis.doc.gov), and controlled for import and use outside of the U.S. Seagate reserves the right to change, without notice, product offerings or specifications.

| | |
|---|----------|
| Seagate® Technology Support Services | 5 |
|---|----------|

| | |
|--|----------|
| 1.0 Introduction | 6 |
| 1.1 About the Serial ATA Interface | 6 |

| | |
|--|----------|
| 2.0 Drive Specifications | 7 |
| 2.1 Formatted Capacity | 8 |
| 2.1.1 LBA mode | 8 |
| 2.2 Physical organization | 9 |
| 2.3 Recording and Interface Technology | 9 |
| 2.4 Physical Characteristics | 9 |
| 2.5 Seek time | 9 |
| 2.6 Start/stop times | 10 |
| 2.7 Power Specifications | 10 |
| 2.7.1 Power consumption | 10 |
| 2.7.2 Conducted noise | 13 |
| 2.7.3 Supply Voltage | 13 |
| 2.7.4 Power management modes | 13 |
| 2.8 Environmental Specifications | 14 |
| 2.8.1 Shock | 14 |
| 2.8.2 Vibration | 15 |
| 2.9 Acoustics | 15 |
| 2.9.1 Test for prominent discrete tones (PDTs) | 15 |
| 2.10 Electromagnetic Immunity | 16 |
| 2.10.1 DC Magnetic Field Immunity | 16 |
| 2.11 Reliability | 16 |
| 2.11.1 Data loss under power interruption with write cache enabled | 17 |
| 2.12 Agency and Safety Certifications | 17 |
| 2.12.1 Safety certification | 17 |
| 2.12.2 European Union (EU) CE Marking Requirements | 17 |
| 2.12.3 Australian RCM Compliance Mark | 17 |
| 2.12.4 Canada ICES-003 | 17 |
| 2.12.5 South Korean KC Certification Mark | 18 |
| 2.12.6 Morocco Commodity Mark | 18 |
| 2.12.7 Taiwanese BSMI | 18 |
| 2.12.8 FCC verification | 18 |
| 2.13 Environmental protection | 19 |
| 2.13.1 European Union Restriction of Hazardous Substance Law | 19 |
| 2.13.2 China Requirements —China RoHS 2 | 19 |
| 2.13.3 Taiwan Requirements — Taiwan RoHS | 20 |
| 2.14 Corrosive Environment | 20 |

| | | |
|------------|---|-----------|
| 3.0 | Configuring and Mounting the Drive | 21 |
| 3.1 | Handling and Static-Discharge Precautions | 21 |
| 3.2 | Configuring the Drive | 21 |
| 3.2.1 | Serial ATA Cables and Connectors | 21 |
| 3.3 | Drive Grounding | 22 |
| 3.4 | Drive Mounting | 23 |

| | | |
|------------|--|-----------|
| 4.0 | Serial ATA (SATA) Interface | 26 |
| 4.1 | Hot-Plug Compatibility | 26 |
| 4.2 | Serial ATA Device Plug Connector Pin Definitions | 26 |
| 4.3 | Supported ATA Commands | 27 |
| 4.3.1 | Identify Device command | 29 |
| 4.3.2 | Set Features command | 33 |
| 4.3.3 | S.M.A.R.T. commands | 34 |

| | | |
|----------|--|----|
| Figure 1 | Typical 1D - 5V Startup and Operation Current Profile | 11 |
| Figure 2 | Typical 2D - 5V Startup and Operation Current Profile | 12 |
| Figure 3 | Attaching SATA Cabling | 21 |
| Figure 4 | Drive Grounding Side Mounting for 1-disk and 2-disk models) | 22 |
| Figure 5 | Drive Grounding Bottom Mounting for 1-disk and 2-disk models | 22 |
| Figure 6 | Mounting Dimensions (for 1-disk models) | 23 |
| Figure 7 | Mounting Dimensions (for 1-disk models) (alternate basedeck) | 24 |
| Figure 8 | Mounting Dimensions (for 2-disk models) | 25 |

Seagate® Technology Support Services

For information regarding online support and services, visit: <http://www.seagate.com/contacts/>

For information regarding Warranty Support, visit: <http://www.seagate.com/support/warranty-and-replacements/>

For information regarding data recovery services, visit: <http://www.seagate.com/services-software/recover/>

For Seagate OEM, Distribution partner and reseller portals, visit: <http://www.seagate.com/partners/>

1.0 Introduction

This manual describes the functional, mechanical and interface specifications for the following Seagate® SkyHawk™ model drives:

| Standard models |
|-----------------|
| ST2000LV000 |
| ST1000LV000 |

These drives provide the following key features:

- 1000 Gs non-operating shock and 400 Gs of operating shock.
- 128MB buffer.
- 5400-RPM spindle speed.
- ATA streaming support sustains recordings up to 8 HD cameras for smooth, uninterrupted footage.
- Best-in-class acoustic performance means virtually silent operation
- Built-in error recovery for non-stop video streaming
- Enhanced caching capabilities enable superior video recording quality.
- Full-track multiple-sector transfer capability without local processor intervention.
- High instantaneous (burst) data-transfer rates (up to 6Gb/s).
- ImagePerfect™ firmware supports 24x7 surveillance-optimized workload
- IntelliRV uses positioning and shock sensors in the drive for better vibration performance.
- MTC Technology™, proprietary data flow management
- Native Command Queuing with command ordering to increase performance in demanding applications.
- Reliability for 24x7 surveillance application.
- SeaTools™ diagnostic software performs a drive self-test that eliminates unnecessary drive returns.
- Shingled magnetic recording with perpendicular magnetic recording heads/media.
- State-of-the-art cache and on-the-fly error-correction algorithms.
- Support for Read Multiple and Write Multiple commands.
- Support for S.M.A.R.T. drive monitoring and reporting.
- Worldwide Name (WWN) capability uniquely identifies the drive.

1.1 About the Serial ATA Interface

The Serial ATA interface provides several advantages over the traditional (parallel) ATA interface. The primary advantages include:

- Easy installation and configuration with true plug-and-play connectivity. It is not necessary to set any jumpers or other configuration options.
- Thinner and more flexible cabling for improved enclosure airflow and ease of installation.
- Scalability to higher performance levels.

In addition, Serial ATA makes the transition from parallel ATA easy by providing legacy software support. Serial ATA was designed to allow users to install a Serial ATA host adapter and Serial ATA disk drive in the current system and expect all of the existing applications to work as normal.

The Serial ATA interface connects each disk drive in a point-to-point configuration with the Serial ATA host adapter. There is no master/slave relationship with Serial ATA devices like there is with parallel ATA. If two drives are attached on one Serial ATA host adapter, the host operating system views the two devices as if they were both “masters” on two separate ports. This essentially means both drives behave as if they are Device 0 (master) devices.

Note

The host adapter may, optionally, emulate a master/slave environment to host software where two devices on separate Serial ATA ports are represented to host software as a Device 0 (master) and Device 1 (slave) accessed at the same set of host bus addresses. A host adapter that emulates a master/slave environment manages two sets of shadow registers. This is not a typical Serial ATA environment.

The Serial ATA host adapter and drive share the function of emulating parallel ATA device behavior to provide backward compatibility with existing host systems and software. The Command and Control Block registers, PIO and DMA data transfers, resets, and interrupts are all emulated.

The Serial ATA host adapter contains a set of registers that shadow the contents of the traditional device registers, referred to as the Shadow Register Block. All Serial ATA devices behave like Device 0 devices. For additional information about how Serial ATA emulates parallel ATA, refer to the *Serial ATA International Organization: Serial ATA* (Revision 3.2). The specification can be downloaded from www.serialata.org.

2.0 Drive Specifications

Unless otherwise noted, all specifications are measured under ambient conditions, at 25°C, and nominal power. For convenience, the phrases *the drive* and *this drive* are used throughout this manual to indicate the following drive models:

The specification summaries listed in the following tables are for quick reference. For details on specification measurement or definition, refer to the appropriate section of this manual.

Table 1 Drive Specifications Summary

| Drive Specification | ST2000LV000 | ST1000LV000 |
|--|--|---------------|
| Formatted capacity ⁽¹⁾ | 2TB | 1TB |
| Guaranteed sectors | 3,907,029,168 | 1,953,525,168 |
| Heads | 4 | 2 |
| Disks | 2 | 1 |
| Bytes per sector | 512 (logical) / 4096 (physical) | |
| Recording density | 2276 Kb/in | |
| Track density | 580 Ktracks/in avg | |
| Areal density | 1320 Gb/in ² avg | |
| Spindle speed | 5400 RPM | |
| Maximum sustained data rate, OD read | 140 MB/s | |
| Interface | SATA 6Gb/s | |
| ATA data-transfer modes supported | PIO modes 0–4 Multiword DMA modes 0–2 Ultra DMA modes 0–6 | |
| Cache buffer | 128 MB | |
| Height (mm/in) | 7.0 (± 0.2) / 0.276 (± 008) | |
| Width (mm/in) | 69.85 (± 0.25) / 2.750 (± 0.010) | |
| Length (mm/in) | 100.35 (+0.20/-0.25) / 3.951 (+0.008/-0.010) | |
| Weight (g/lb) max | 90 / 0.198 | |
| Average latency | 5.6 ms | |
| Startup current, Max (+5V) | 1.0 A | |
| Voltage tolerance (including noise) | 5V ± 5% | |
| Non-Operating (Ambient °C) | –40° to 70° | |
| Operating temperature * | 0° to 60°† | |
| Temperature gradient | 20°C per hour max (operating) 35°C per hour max (non-operating) | |
| Relative humidity | 5% to 95% (operating) 5% to 95% (non-operating) | |
| Relative humidity gradient (max) | 30% per hour | |
| Wet bulb temperature | 37.7°C max (operating) 40.0°C max (non-operating) | |
| Altitude, operating | –304.8 m to 3048 m (–1000 ft to 10,000+ ft) | |
| Altitude, non-operating (below mean sea level, max) | –304.8 m to 12,192 m (–1000 ft to 40,000+ ft) | |
| Operational Shock | 400 Gs at 2 ms max | |

Table 1 Drive Specifications Summary (continued)

| Drive Specification | ST2000LV000 | ST1000LV000 |
|--|--|-------------|
| Non-Operational Shock | 1000 Gs at 1 ms max | |
| Linear Operating Vibration | 5 - 200Hz @ 2.4 Grms ref | |
| Rotational Operating Vibration | 10 - 500Hz @ 15 rad/s ² | |
| Vibration, non-operating | 5-500 Hz: 5.0 Gs | |
| Non-recoverable read errors | 1 per 10 ¹⁴ bits read | |
| Warranty | To determine the warranty for a specific drive, use a web browser to access the following web page: http://www.seagate.com/support/warranty-and-replacements/ . From this page, click on the "Is my Drive under Warranty" link. The following are required to be provided: the drive serial number, model number (or part number) and country of purchase. The system will display the warranty information for the drive. | |
| Load-unload cycles | 600,000 at 25°C, 50% rel. humidity | |
| Supports Hotplug operation per the Serial ATA Revision 3.2 specification | Yes | |

1. One GB equals one billion bytes when referring to hard drive capacity. Accessible capacity may vary depending on operating environment and formatting.
- † Seagate does not recommend operating at sustained case temperatures above 60°C. Operating at higher temperatures will reduce useful life of the product.
- * The operating case temperature is 0 to 70°C (32 to 158°F). The recommended measurement location can be found in [Section 3.4, Drive Mounting, Figure 6](#) and [Figure 8](#).

Note

If the drive is powered-off before issuing flush cache command, in some instances, the end user data in the DRAM cache might not be committed to the disk.

2.1 Formatted Capacity

| Model | Formatted Capacity ⁽¹⁾ | Guaranteed Sectors | Bytes per Sector |
|-----------|-----------------------------------|--------------------|------------------------------------|
| 2TB model | 2000 GB | 3,907,029,168 | 512 (logical) / 4096 (physical) |
| 1TB model | 1000 GB | 1,953,525,168 | |

1. One GB equals one billion bytes when referring to hard drive capacity. Accessible capacity may vary depending on operating environment and formatting.

2.1.1 LBA mode

When addressing these drives in LBA mode, all blocks (sectors) are consecutively numbered from 0 to $n-1$, where n is the number of guaranteed sectors as defined above.

Refer to [Configuring and Mounting the Drive](#) on page 21 (words 60-61 and 100-103) for additional information about 48-bit addressing support of drives with capacities over 137 GB.

2.2 Physical organization

| Drive model | Read/write heads | Number of discs |
|-------------|------------------|-----------------|
| ST2000LV000 | 4 | 2 |
| ST1000LV000 | 2 | 1 |

2.3 Recording and Interface Technology

| Interface | SATA 6Gb/s |
|----------------------------|-----------------------------|
| Recording method | Perpendicular |
| Recording density | 2276 Kb/in |
| Track density | 580 ktracks/in avg |
| Areal density | 1320 Gb/in ² avg |
| Spindle speed | 5400 RPM |
| Data transfer rate (up to) | 140 MB/s |

2.4 Physical Characteristics

| | |
|-----------------------|--|
| Height (mm/in) | 7.0 (± 0.2) / 0.276 (± 008) |
| Width (mm/in) | 69.85 (± 0.25) / 2.750 (± 0.010) |
| Length (mm/in) | 100.35 (+0.20/-0.25) / 3.951 (+0.008/-0.010) |
| Typical weight (g/lb) | 90 / 0.198 |
| Cache buffer | 128MB |

2.5 Seek time

Seek measurements are taken with nominal power at 25°C ambient temperature. All times are measured using drive diagnostics. The specifications in the table below are defined as follows:

- Track-to-track seek time is an average of all possible single-track seeks in both directions.
- Average seek time is a true statistical random average of at least 5000 measurements of seeks between random tracks, less overhead.

Table 2 Typical seek times

| Typical seek times (ms) | Read |
|-------------------------|------|
| Track-to-track | 1.5 |
| Average | 13.0 |
| Average latency | 5.6 |

Note

These drives are designed to consistently meet the seek times represented in this manual. Physical seeks, regardless of mode (such as track-to-track and average), are expected to meet the noted values. However, due to the manner in which these drives are formatted, benchmark tests that include command overhead or measure logical seeks may produce results that vary from these specifications.

2.6 Start/stop times

Table 3 Start/stop times

| Capacity | 1-disk models | 2-disk models | 1-disk models | 2-disk models |
|--------------------------------|----------------|---------------|-------------------|---------------|
| Typical seek times (ms) | Typical | | Max @ 25°C | |
| Power-on to ready (sec) | 2.8 | 3.3 | 3.0 | 3.5 |
| Standby to ready (sec) | 2.5 | | 3.0 | |

2.7 Power Specifications

The drive receives DC power (+5V) through a native SATA power connector (refer to [Figure 3](#)).

2.7.1 Power consumption

Power requirements for the drives are listed in the table in [Table 4](#). Typical power measurements are based on an average of drives tested, under nominal conditions, at 25°C ambient temperature. These power measurements are done with DIPM enabled.

- Spinup current is measured from the time of power-on to the time that the drive spindle reaches operating speed.
- Read/Write current is measured with the heads on track, based on three 64 sector read or write operations every 100 ms.
- The drive supports three idle modes: Performance Idle mode, Active Idle mode and Low Power Idle mode. Refer to Section 2.7.4 for power-management modes.

Table 4 DC Power Requirements

| Power Dissipation | 1-disk models +5V input average (25° C) | 2-disk models +5V input average (25° C) |
|------------------------|--|--|
| Spinup (max) | 1.00A | |
| Write average | 1.70W | 1.80W |
| Read average | 1.60W | 1.70W |
| Idle, low power mode | 0.45W | 0.50W |
| Standby ⁽¹⁾ | 0.13W | |
| Sleep | 0.13W | |

1. Standby power is measured at steady state (after 200ms from transition)

2.7.1.1 Typical current profiles

The typical 5V startup and operation current profile is shown in Figure 1 and Figure 2.

Figure 1 Typical 1D - 5V Startup and Operation Current Profile

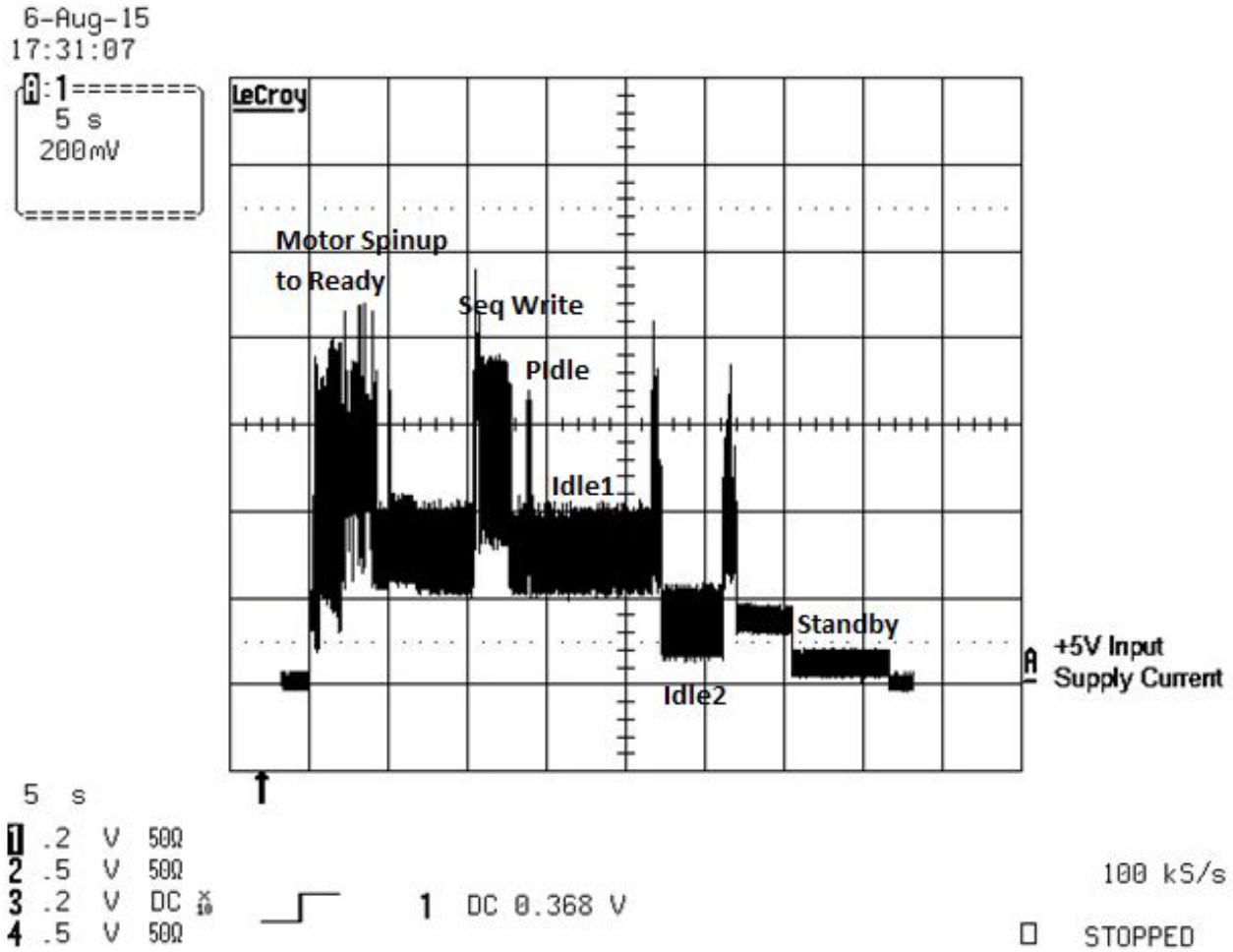
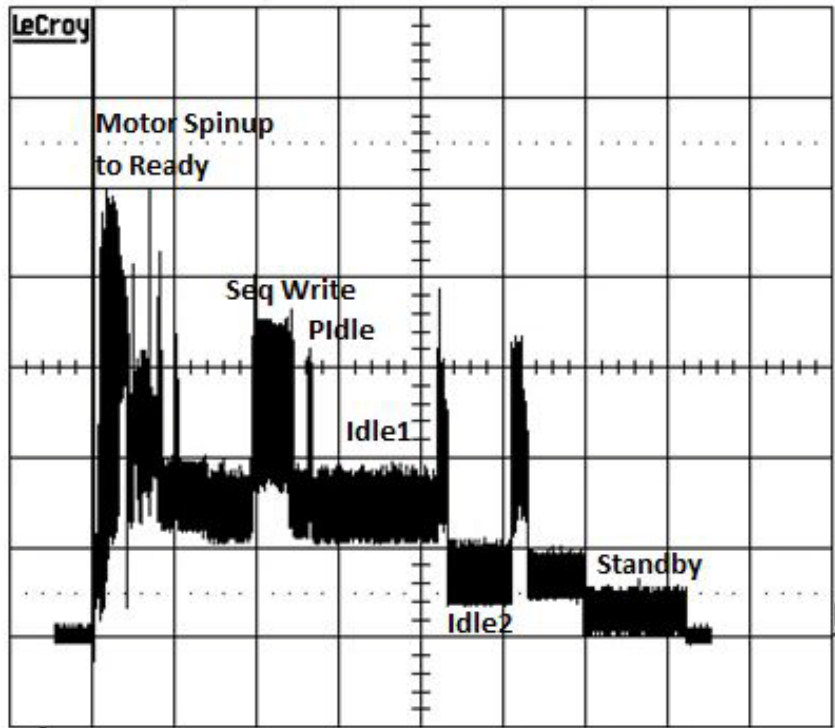


Figure 2 Typical 2D - 5V Startup and Operation Current Profile

6-Aug-15
16:45:14

1
5 s
200mV



+5V Input
Supply Current

5 s

- 1 .2 V 50Ω
- 2 .5 V 50Ω
- 3 .2 V DC ×10
- 4 .5 V 50Ω



1 DC 0.368 V

100 kS/s

STOPPED

2.7.2 Conducted noise

Input noise ripple is measured at the host system power supply across an equivalent 15-ohm resistive load on the +5 volt line.

- Using 5-volt power, the drive is expected to operate with a maximum of 100 mV peak-to-peak square-wave injected noise at up to 20 MHz.

| | |
|-------------|--|
| Note | Equivalent resistance is calculated by dividing the nominal voltage by the typical RMS read/write current. |
|-------------|--|

2.7.3 Supply Voltage

| | |
|----------------------------|-----------------------|
| Allowable voltage | 5V \pm 5% |
| Allowable noise/ripple | 100 p-p max, 0-20 MHz |
| Allowable supply rise time | <100 ms |

2.7.4 Power management modes

The drive provides programmable power management to provide greater energy efficiency. In most systems, power management is controlled through the system setup program. The drive features the following power-management modes:

Table 5 Power modes

| Power modes | Heads | Spindle | Electronics |
|--------------------|----------|----------|---------------|
| Active (operating) | Tracking | Rotating | Full power |
| Idle, performance | Tracking | Rotating | Partial Power |
| Idle, active | Floating | Rotating | Partial Power |
| Idle, low power | Parked | Rotating | Partial Power |
| Standby | Parked | Stopped | Low Power |
| Sleep | Parked | Stopped | Low Power |

- Active mode**

The drive is in Active mode during the read/write and seek operations.

- Idle mode**

The electronics remains powered, and the drive accepts all commands and returns to Active mode when disk access is necessary.

- Standby mode**

The drive enters Standby mode immediately the host sends a Standby Immediate command. If the host has set the standby timer, the drive can also enter Standby mode automatically after the drive has been inactive for a specifiable length of time. The standby timer delay is established using a Standby or Idle command. In Standby mode, the electronics are in low power mode, the heads are parked and the spindle is at rest. The drive accepts all commands and returns to Active mode when disk access is necessary.

- Sleep mode**

The drive enters Sleep mode after receiving a Sleep command from the host. In Sleep mode, the electronics are in low power mode, the heads are parked and the spindle is at rest. The drive leaves Sleep mode after it receives a Hard Reset or Soft Reset from the host. After receiving a reset, the drive exits Sleep mode and enters Standby mode.

- Idle and standby timers**

Each time the drive performs an active function (read, write or seek), the standby timer is reinitialized and begins counting down from its specified delay times to zero. If the standby timer reaches zero before any drive activity is required, the drive makes a transition to standby mode. In both Idle and standby mode, the drive accepts all commands and returns to active mode when disk access is necessary.

2.8 Environmental Specifications

This section provides the temperature, humidity, shock, and vibration specifications for SkyHawk drives.

Ambient temperature is defined as the temperature of the environment immediately surrounding the drive.

Above 1000 feet (305 meters), the maximum temperature is derated linearly by 1°C every 1000 feet.

Table 6 Environmental specifications

| Parameters | Operating | Non-Operating |
|-----------------------|---|---|
| Ambient temperature * | 0° to 60°C (32° to 140°F) | -40° to 70°C (-40° to 158°F) |
| Temperature gradient | 20°C per hour (36°F per hour) max, without condensation | 35°C per hour (63°F per hour) max, without condensation |
| Humidity | 5% to 95% non-condensing (30% per hour) | 5% to 95% non-condensing (30% per hour) |
| Wet bulb | 37.7°C (99.8°F) max | 40°C (104°F) max |
| Altitude | -304.8m to 3048m (-1000ft to 10,000ft) | -304.8m to 12,192m (-1000ft to 40,000ft) |

* The operating case temperature is 0 to 70°C (32 to 158°F).
The recommended measurement location can be found in [Section 3.4, Drive Mounting, Figure 6](#) and [Figure 8](#).

| | |
|-------------|--|
| Note | Seagate does not recommend operating at sustained case temperatures above 60°C. Operating at higher temperatures will reduce useful life of the product. |
|-------------|--|

| | |
|-------------|--|
| Note | The recommended storage period: <ul style="list-style-type: none"> • 1 year under controlled conditions of 34°C 90%RH or less • 90 days in uncontrolled storage conditions |
|-------------|--|

2.8.1 Shock

All shock specifications assume that the drive is mounted securely with the input shock applied at the drive mounting screws. Shock may be applied in the X, Y, or Z axis.

2.8.1.1 Operating shock

These drives comply with the performance levels specified in this document when subjected to a maximum operating shock of 400 Gs based on half-sine shock pulses of 2ms. Shocks should not be repeated more than one time per axis.

2.8.1.2 Non-operating shock

The non-operating shock level that the drive can experience without incurring physical damage or degradation in performance when subsequently put into operation is 1000 Gs based on a nonrepetitive half-sine shock pulse of 1 ms duration.

2.8.2 Vibration

All vibration specifications assume that the drive is mounted securely with the input vibration applied at the drive mounting screws. Vibration may be applied in the X, Y, or Z axis.

2.8.2.1 Operating vibration

The maximum vibration levels that the drive may experience while meeting the performance standards specified in this document are specified below.

| | |
|--|-----------------------|
| 5 - 200Hz Linear Operating Vibration | 2.4 Grms ref |
| 10 - 500Hz Rotational Operating Vibration | 15 rad/s ² |

2.8.2.2 Non-operating vibration

The maximum non-operating vibration levels that the drive may experience without incurring physical damage or degradation in performance when subsequently put into operation are specified below.

| | |
|----------|---|
| 5–500 Hz | 5.0 Gs (0 to peak). Max displacement may apply below 22 Hz. |
|----------|---|

2.9 Acoustics

Drive emission of sound is measured consistent with the ECMA-74 and its referenced standards. Testing is conducted at room temperature (approximately 25°C). Emission levels are reported as the total A-weighted sound power levels for steady state, idle, and active seeks modes of operation.

Table 7 Drive A-weighted Sound Power Levels (SWL, BA)

| | 1-disk models | 2-disk models |
|---------------------------|----------------------------------|----------------------------------|
| Idle⁽¹⁾ | 2.0 bels (typ) 2.2 bels (max) | 2.2 bels (typ) 2.4 bels (max) |
| Performance Seek | 2.2 bels (typ) 2.4 bels (max) | 2.4 bels (typ) 2.6 bels (max) |

1. During periods of drive idle, some offline activity may occur according to the S.M.A.R.T. specification, which may increase acoustic and power to operational levels.

2.9.1 Test for prominent discrete tones (PDTs)

Seagate follows the ECMA-74 standards for measurement and identification of PDTs. An exception to this process is the use of the absolute threshold of hearing. Seagate uses the lower limit for the threshold curve* to discern tone audibility and to compensate for the inaudible components of sound prior to computation of tone ratios according to Annex D of the ECMA-74 standards.

*Defined as the median curve given by ISO 389-7 (Tf curve) minus 10dB at all frequencies.

2.10 Electromagnetic Immunity

When properly installed in a representative host system, the drive operates without errors or degradation in performance when subjected to the radio frequency (RF) environment as defined in [Table 8](#).

Table 8 Radio Frequency Environments

| Test | Description | Performance Level | Reference Standard |
|----------------------------------|--|-------------------|-----------------------------------|
| Electrostatic discharge | Contact, HCP, VCP: ± 4 kV; Air: ± 8 kV | B | EN 61000-4-2: 95 |
| Radiated RF immunity | 80 to 1GHz, 3 V/m, 80% AM with 1 kHz sine 900 MHz, 3 V/m, 50% pulse modulation @ 200 Hz | A | EN 61000-4-3: 96 ENV 50204: 95 |
| Electrical fast transient | ± 1 kV on AC mains, ± 0.5 kV on external I/O | B | EN 61000-4-4: 95 |
| Surge immunity | ± 1 kV differential, ± 2 kV common, AC mains | B | EN 61000-4-5: 95 |
| Conducted RF immunity | 150 kHz to 80 MHz, 3 Vrms, 80% AM with 1 kHz sine | A | EN 61000-4-6: 97 |
| Power Frequency H-field immunity | 1 A/m, 50Hz/60Hz, 3 axes | A | EN 61000-4-8: 97 |
| Voltage dips, interrupts | 30% Reduction for 25 cycles >95% Reduction for 250 cycles >95%, 0.5 cycles | C C B | EN 61000-4-11: 94 |

2.10.1 DC Magnetic Field Immunity

Table 9 DC Magnetic Field Immunity

| Test | Product Spec (Standalone) |
|---|---------------------------|
| DC Magnetic Field Immunity ^{1, 2, 3} | 400 Gauss, RMS |
| ¹ Field in Gauss at the drive envelope. Testing per procedures 20800109-349 and 20800109-350. ² Passing Field in Gauss at the drive envelope. In practice, testing is conducted using a fixed distance from the bottom of the magnet to the top of the drive. Calibration of the field vs. distance is done with a Hall probe with no magnetic materials present. ³ Testing to be done with magnet.375" dia. x 0.100" Ni-plated NdFeB; B, ~11.5 kG, magnetized along its length; the magnet is oriented with the length perpendicular to the drive cover/PCBA. Drive to be properly secured during test. | |

2.11 Reliability

| | |
|---|--|
| Non-recoverable read errors | 1 per 10^{14} bits read, max |
| Power-on hours per year | 8760 |
| Load/Unload (U/UL) 25°C, 50% relative humidity | 600,000 software-controlled power on/off cycles 20,000 hard power on/off cycles |
| Warranty | To determine the warranty for a specific drive, use a web browser to access the following web page: http://www.seagate.com/support/warranty-and-replacements/ . From this page, click on the "Is my Drive under Warranty" link. The following are required to be provided: the drive serial number, model number (or part number) and country of purchase. The system will display the warranty information for the drive. |

2.11.1 Data loss under power interruption with write cache enabled

Drive preserves its data during all operations except in cases where power to the drive is interrupted during write operations. This could result in either an uncorrected data error being reported, or the entire sector/track becoming unreadable. This can be permanently recovered by rewriting to the same location on the drive. Additionally any data present in the DRAM buffer will not be written to the disk media, additionally, the drive will not be able to return the original data.

In order to prevent this data loss, the host should issue a standby immediate or flush cache command before a controlled power off operation to the drive.

2.12 Agency and Safety Certifications

Each Hard Drive and Solid State Drive ("drives") has a product label that includes certifications that are applicable to that specific drive. The following information provides an overview of requirements that may be applicable to the drive.

2.12.1 Safety certification

The drives are recognized in accordance with UL/cUL 60950-1 and EN 60950-1

The following regulatory model number represent all features and configurations within the series:

Regulatory Model Numbers: SDC001/SDC003

2.12.2 European Union (EU) CE Marking Requirements

Drives that display the CE mark comply with the European Union (EU) requirements specified in the Electromagnetic Compatibility Directive (2014/30/EU) put into force on 20 April 2016. Testing is performed to the levels specified by the product standards for Information Technology Equipment (ITE). Emission levels are defined by EN 55032:2012, Class B and the immunity levels are defined by EN 55024:2010.

The drives also meet the requirements of The Low Voltage Directive (LVD) 2014/35/EU.

Seagate drives are tested in representative end-user systems. Although CE-marked Seagate drives comply with all relevant regulatory requirements and standards for the drives, Seagate cannot guarantee that all system-level products into which the drives are installed comply with all regulatory requirements and standards applicable to the system-level products. The drive is designed for operation inside a properly designed system (e.g., enclosure designed for the drive), with properly shielded I/O cable (if necessary) and terminators on all unused I/O ports. Computer manufacturers and system integrators should confirm EMC compliance and provide CE marking for the system-level products.

For compliance with the RoHS "Recast" Directive 2011/65/EU (RoHS 2), [See Section 2.13.1 on page 19](#).

2.12.3 Australian RCM Compliance Mark

If these models have the RCM marking, they comply with the Australia/New Zealand Standard AS/NZ CISPR32 and meet the Electromagnetic Compatibility (EMC) Framework requirements of the Australian Communication and Media Authority (ACMA).

2.12.4 Canada ICES-003

If this model has the ICES-003:2016 marking it complies with requirements of ICES tested per ANSI C63.4-2014.

2.12.5 South Korean KC Certification Mark

The South Korean KC Certification Mark means the drives comply with paragraph 1 of Article 11 of the Electromagnetic Compatibility control Regulation and meet the Electromagnetic Compatibility (EMC) Framework requirements of the Radio Research Agency (RRA) Communications Commission, Republic of Korea. These drives have been tested and comply with the Electromagnetic Interference/ Electromagnetic Susceptibility (EMI/EMS) for Class B products. Drives are tested in a representative, end-user system by a Korean-recognized lab.

| 기종별 | 사용자안내문 |
|------------------------|--|
| B급 기기 (가정용 방송통신기자재) | 이 기기는 가정용(B급) 전자파적합기기로서 주로 가정에서 사용하는 것을 목적으로 하며, 모든 지역에서 사용할 수 있습니다. |

2.12.6 Morocco Commodity Mark

To satisfy our OEM customers, Seagate has added the Moroccan Commodity Mark to the drives provided to the OEM for the sale of Customer Kits produced by our OEM customers that are intended to be incorporated into the OEM's finished system-level product by an end user. The Customer Kits are considered 'devices' under Morocco's Order of the Minister of Industry, Trade, Investment and Digital Economy No. 2574-14 of 29 Ramadan 1436 (16 July 2015) on electromagnetic compatibility of equipment.

Seagate drives are tested for compliance and complies with the European Union (EU) Electromagnetic Compatibility (EMC) Directive 2014/30/EU and the Low Voltage Directive (LVD) 2014/35/EU. Accordingly, the drives also meets the requirements of Morocco's Order of the Minister of Industry, Trade, Investment and Digital Economy No. 2574-14 of 29 Ramadan 1436 (16 July 2015) on electromagnetic compatibility of equipment.

2.12.7 Taiwanese BSMI

Drives with the Taiwanese certification mark comply with Chinese National Standard, CNS13438.

For compliance with the Taiwan Bureau of Standards, Metrology and Inspection's (BSMI) requirements, [See Section 2.14.3 on page 20.](#)

2.12.8 FCC verification

These drives are intended to be contained solely within a personal computer or similar enclosure (not attached as an external device). As such, each drive is considered to be a subassembly even when it is individually marketed to the customer. As a subassembly, no Federal Communications Commission verification or certification of the device is required.

Seagate has tested this device in enclosures as described above to ensure that the total assembly (enclosure, disk drive, motherboard, power supply, etc.) does comply with the limits for a Class B computing device, pursuant to Subpart J, Part 15 of the FCC rules. Operation with noncertified assemblies is likely to result in interference to radio and television reception.

Radio and television interference. This equipment generates and uses radio frequency energy and if not installed and used in strict accordance with the manufacturer's instructions, may cause interference to radio and television reception.

This equipment is designed to provide reasonable protection against such interference in a residential installation. However, there is no guarantee that interference will not occur in a particular installation. If this equipment does cause interference to radio or television, which can be determined by turning the equipment on and off, users are encouraged to try one or more of the following corrective measures:

- Reorient the receiving antenna.
- Move the device to one side or the other of the radio or TV.
- Move the device farther away from the radio or TV.
- Plug the computer into a different outlet so that the receiver and computer are on different branch outlets.

If necessary, users should consult a dealer or an experienced radio/television technician for additional suggestions. Users may find helpful the following booklet prepared by the Federal Communications Commission: *How to Identify and Resolve Radio-Television Interference Problems*. This booklet is available from the Superintendent of Documents, U.S. Government Printing Office, Washington, DC 20402. Refer to publication number 004-000-00345-4.

2.13 Environmental protection

Seagate designs its products to meet environmental protection requirements worldwide, including regulations restricting certain chemical substances.

2.13.1 European Union Restriction of Hazardous Substance Law

2.13.1.1 Restriction of Hazardous Substances in Electrical and Electronic Equipment

Seagate drives are designed to be compliant with the European Union RoHS "Recast" Directive 2011/65/EU (RoHS 2) as amended by Directive (EU) 2015/863. The RoHS2 restricts the use of certain hazardous substances such as Lead, Cadmium, Mercury, Hexavalent Chromium, Polybrominated Biphenyls (PBB) and Polybrominated Diphenyl Ether (PBDE), BisBis(2-Ethylhexyl) phthalate (DEHP), Benzyl butyl phthalate (BBP), Dibutyl phthalate (DBP), and Diisobutyl phthalate (DIBP) in electrical and electronic equipment (EEE).

2.13.1.2 Substances of Very High Concern (SVHC)

The European Union REACH (Registration, Evaluation, Authorization and Restriction of Chemicals) Regulation (EC) 1907/2006 regulates chemicals shipped into and used in Europe. A number of parts and materials in Seagate products are procured from external suppliers. We rely on the representations of our suppliers regarding the presence of REACH substances in these articles and materials. Our supplier contracts require compliance with our chemical substance restrictions, and our suppliers document their compliance with our requirements by providing full-disclosure material content declarations that disclose inclusion of any REACH-regulated substance in such articles or materials. Product-specific REACH declarations are available upon request through your Seagate Sales Representative.

2.13.2 China Requirements —China RoHS 2



China RoHS 2 refers to the Ministry of Industry and Information Technology Order No. 32, effective July 1, 2016, titled Management Methods for the Restriction of the Use of Hazardous Substances in Electrical and Electronic Products. To comply with China RoHS 2, Seagate determines this product's Environmental Protection Use Period (EPUP) to be 20 years in accordance with the *Marking for the Restricted Use of Hazardous Substances in Electronic and Electrical Products*, SJ/T 11364-2014.

Table 10 China - Hazardous Substances

| 部件名称 Part Name | 有害物质 Hazardous Substances | | | | | |
|-------------------|------------------------------|-----------|-----------|----------------------------|---------------|-----------------|
| | 铅 (Pb) | 汞 (Hg) | 镉 (Cd) | 六价铬 (Cr ⁺⁶) | 多溴联苯 (PBB) | 多溴二苯醚 (PBDE) |
| 硬盘驱动器 HDD | X | O | O | O | O | O |
| 印刷电路板组装 PCBA | X | O | O | O | O | O |

本表格依据 SJ/T 11364 的规定编制。

This table is prepared in accordance with the provisions of SJ/T 11364-2014

O: 表示该有害物质在该部件所有均质材料中的含量均在 GB/T 26572 规定的限量要求以下。

O: Indicates that the hazardous substance contained in all of the homogeneous materials for this part is below the limit requirement of GB/T26572.

X: 表示该有害物质至少在该部件的某一均质材料中的含量超出 GB/T 26572 规定的限量要求。

X: Indicates that the hazardous substance contained in at least one of the homogeneous materials used for this part is above the limit requirement of GB/T26572.

2.14.3 Taiwan Requirements — Taiwan RoHS

Taiwan RoHS refers to the Taiwan Bureau of Standards, Metrology and Inspection's (BSMI) requirements in standard CNS 15663, Guidance to reduction of the restricted chemical substances in electrical and electronic equipment. Seagate products must comply with the "Marking of presence" requirements in Section 5 of CNS 15663, effective January 1, 2018. This product is Taiwan RoHS compliant.

The following table meets the Section 5 "Marking of presence" requirements.

Table 11 Taiwan - Restricted Substances

| 設備名稱：硬碟設備，型號： Equipment Name: Hard Disk Device, Type Designation: | | | | | | |
|---|--|-----------|-----------|---------------|---------------|-----------------|
| 單元 Unit | 限用物質及其化學符號 Restricted Substance and its chemical symbol | | | | | |
| | 鉛 (Pb) | 汞 (Hg) | 鎘 (Cd) | 六價鉻 (Cr+6) | 多溴聯苯 (PBB) | 多溴二苯醚 (PBDE) |
| 頂蓋 Top Cover | — | 0 | 0 | 0 | 0 | 0 |
| 磁碟 Magnetic disk | — | 0 | 0 | 0 | 0 | 0 |
| 電機底座組件 Motor Base Assembly | — | 0 | 0 | 0 | 0 | 0 |
| 印刷電路板組裝 PCB Assembly | — | 0 | 0 | 0 | 0 | 0 |
| 備考 1. “0” 係指該項限用物質之百分比含量未超出百分比含量基準值。 Note 1. “0” indicates that the percentage content of the restricted substance does not exceed the percentage of reference value of presence. 備考 2. “—” 係指該項限用物質為排除項目。 Note 2. “—” indicates that the restricted substance corresponds to the exemption. | | | | | | |

2.14 Corrosive Environment

Seagate electronic drive components pass accelerated corrosion testing equivalent to 10 years exposure to light industrial environments containing sulfurous gases, chlorine and nitric oxide, classes G and H per ASTM B845. However, this accelerated testing cannot duplicate every potential application environment.

Users should use caution exposing any electronic components to uncontrolled chemical pollutants and corrosive chemicals as electronic drive component reliability can be affected by the installation environment. The silver, copper, nickel and gold films used in Seagate products are especially sensitive to the presence of sulfide, chloride, and nitrate contaminants. Sulfur is found to be the most damaging. In addition, electronic components should never be exposed to condensing water on the surface of the printed circuit board assembly (PCBA) or exposed to an ambient relative humidity greater than 95%. Materials used in cabinet fabrication, such as vulcanized rubber, that can outgas corrosive compounds should be minimized or eliminated. The useful life of any electronic equipment may be extended by replacing materials near circuitry with sulfide-free alternatives.

Seagate recommends that data centers be kept clean by monitoring and controlling the dust and gaseous contamination. Gaseous contamination should be within ANSI/ISA 571.04-2013 G2 classification levels (as measured on copper and silver coupons), and dust contamination to ISO 14644-1 Class 8 standards, and MTBF rated conditions as defined in the Annualized Failure Rate (AFR) and Mean Time Between Failure (MTBF) section.

3.0 Configuring and Mounting the Drive

This section contains the specifications and instructions for configuring and mounting the drive.

3.1 Handling and Static-Discharge Precautions

After unpacking, and before installation, the drive may be exposed to potential handling and electrostatic discharge (ESD) hazards. Observe the following standard handling and static-discharge precautions.

| | |
|----------------|--|
| CAUTION | <ul style="list-style-type: none">• Keep the drive in the electrostatic discharge (ESD) bag until ready for installation to limit the drive's exposure to ESD.• Before handling the drive, put on a grounded wrist strap, or ground yourself frequently by touching the metal chassis of a computer that is plugged into a grounded outlet. Wear a grounded wrist strap throughout the entire installation procedure.• Handle the drive by its edges or frame <i>only</i>.• The drive is extremely fragile—handle it with care. Do not press down on the drive top cover.• Always rest the drive on a padded, antistatic surface until mounting it in the computer.• Do not touch the connector pins or the printed circuit board.• Do not remove the factory-installed labels from the drive or cover them with additional labels. Removal voids the warranty. Some factory-installed labels contain information needed to service the drive. Other labels are used to seal out dirt and contamination. |
|----------------|--|

3.2 Configuring the Drive

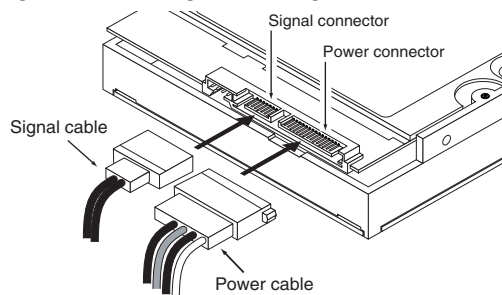
Each drive on the Serial ATA interface connects in a point-to-point configuration with the Serial ATA host adapter. There is no master/slave relationship because each drive is considered a master in a point-to-point relationships. If two drives are attached on one Serial ATA host adapter, the host operating system views the two devices as if they were both "masters" on two separate ports. Both drives behave as if they are Device 0 (master) devices.

3.2.1 Serial ATA Cables and Connectors

The Serial ATA interface cable consists of four conductors in two differential pairs, plus three ground connections. The cable size may be 30 to 26 AWG with a maximum length of one meter (39.37 in). Refer to [Table 12](#) for connector pin definitions. Either end of the SATA signal cable can be attached to the drive or host.

For direct backplane connection, the drive connectors are inserted directly into the host receptacle. The drive and the host receptacle incorporate features that enable the direct connection to be hot pluggable and blind mateable. For installations which require cables, users can connect the drive as shown in [Figure 3](#).

Figure 3 Attaching SATA Cabling



Each cable is keyed to ensure correct orientation.

3.3 Drive Grounding

Care should be taken when mounting the drive in a system chassis. The drive should be mounted using four screws in the side mounting holes (positions **A**, **B**, **C**, and **D** as in [Figure 4](#) and [Figure 5](#)) or bottom mounting holes (positions **1**, **2**, **3**, and **4** as in [Figure 5](#)) grounded to the system chassis. At least one mounting screw is required for proper grounding. See [Figure 4](#) for drive grounding using four screws in the side mounting holes and [Figure 5](#) for drive grounding using four screws in the bottom mounting holes. The sidewall surfaces **A1**, **A2**, **A3** (cross-hatched green shaded areas as in [Figure 4](#)) and the green highlighted area (as labeled in [Figure 5](#)) should not be used for system grounding purposes.

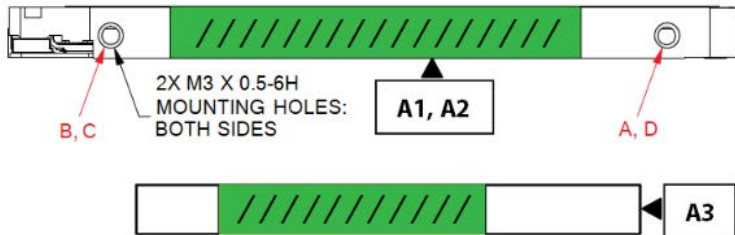


Figure 4 Drive Grounding Side Mounting for 1-disk and 2-disk models)

The green highlighted area (PCBA as in [Figure 5](#)) should never make contact with the system chassis to prevent electrical shorting of the drive. Contact must be limited to side mounting holes (positions **A**, **B**, **C**, and **D** as in [Figure 4](#) and [Figure 5](#)) or bottom mounting holes (positions **1**, **2**, **3**, and **4** as in [Figure 5](#)).

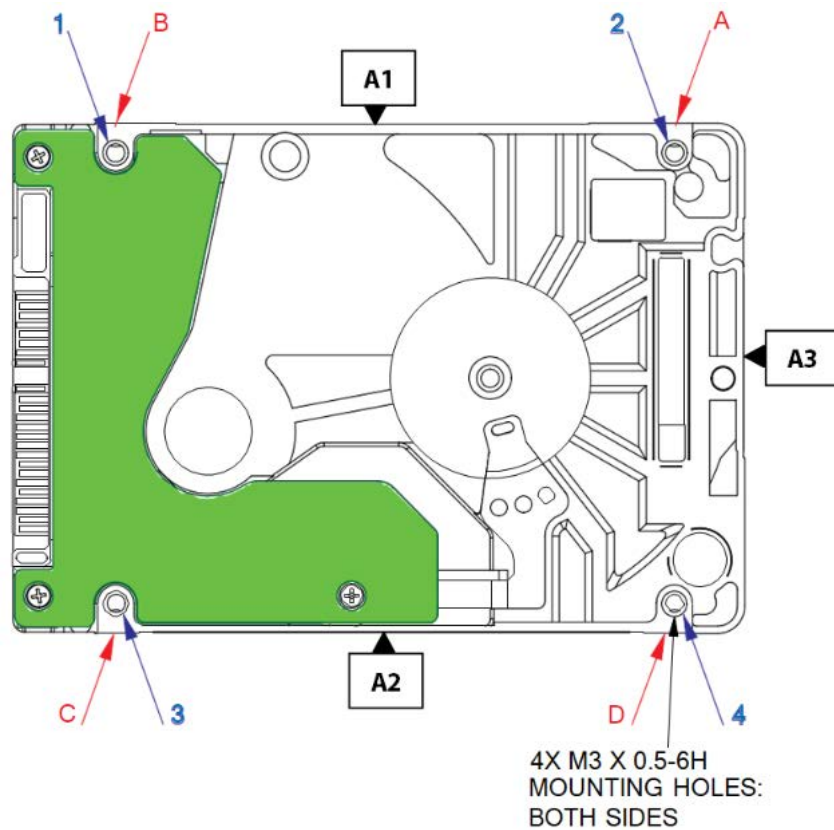


Figure 5 Drive Grounding Bottom Mounting for 1-disk and 2-disk models

Notes:

- Side Mounting - Use four metal screws in positions **A**, **B**, **C**, and **D**.
- Bottom Mounting - Use four metal screws in positions **1**, **2**, **3**, and **4**.
- Do NOT use sides **A1**, **A2** or **A3** for grounding purposes.
- If less than four screws are used, at least one mounting screw is required for proper grounding.

3.4 Drive Mounting

Users can mount the drive in any orientation using four screws in the side-mounting holes or four screws in the bottom-mounting holes. Refer to **Figure 6** through **Figure 8** for drive mounting dimensions. Follow these important mounting precautions when mounting the drive:

- Allow a minimum clearance of 0.030 in (0.76 mm) around the entire perimeter of the drive for cooling.
- Use only M3 x 0.5 mounting screws.
- Do not overtighten the mounting screws. Maximum torque: 4.0 in-lb (0.4519 N-m).
- Four (4) threads (0.080 in, 2.032 mm) minimum screw engagement recommended.
- Avoid excessive drive distortion when mounting. Refer to the following specifications for stiffness/deflection information:

| Top cover stiffness/deflection | |
|---|---|
| Operating: no performance degradation, emitted noise, mechanical damage, or hard errors | 10 mm probe: 2.0kgf (typical) |
| Non-operating: no hard errors | 10 mm probe: maximum 2.0kgf (instantaneous) |

Figure 6 Mounting Dimensions (for 1-disk models)

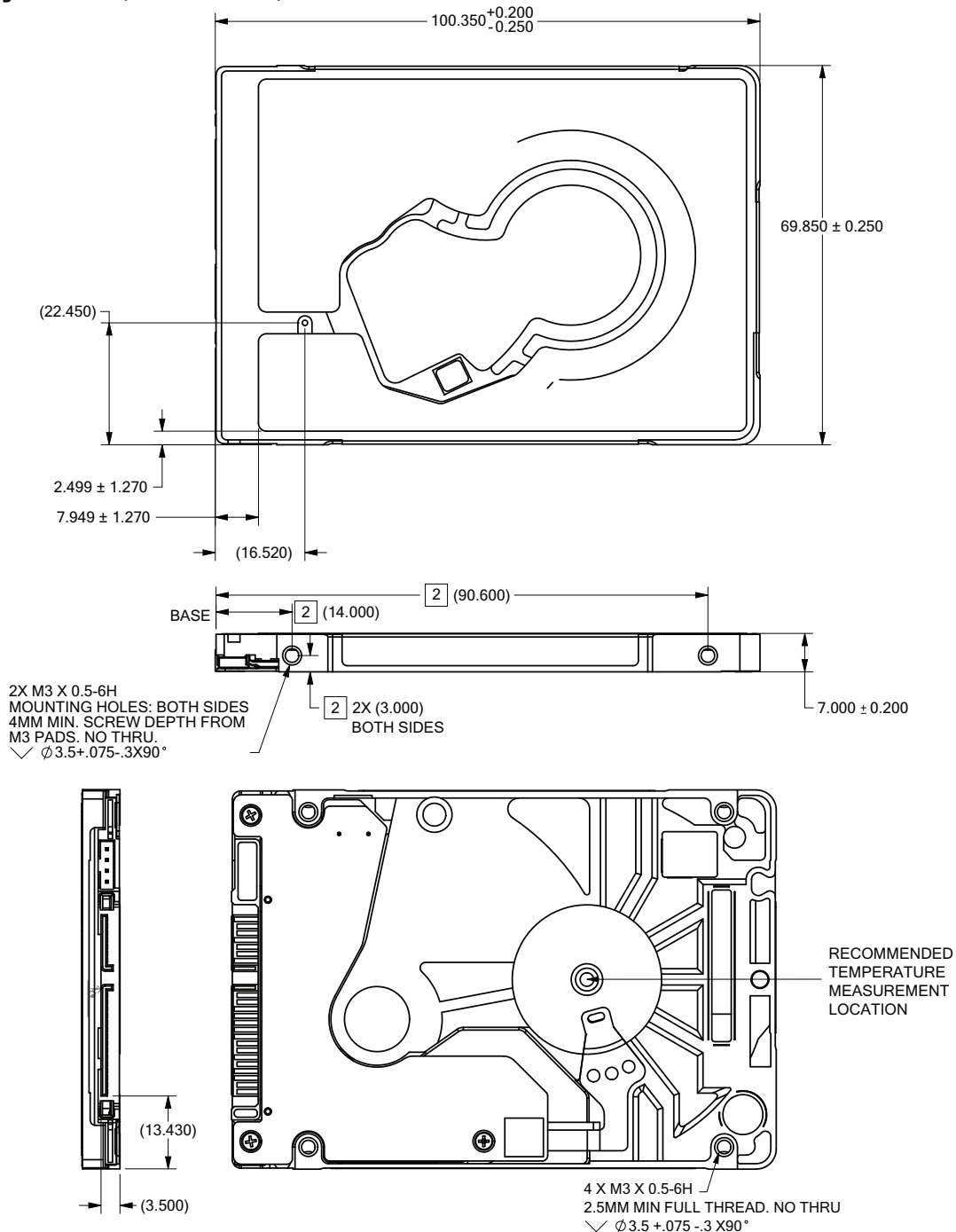


Figure 7 Mounting Dimensions (for 1-disk models) (alternate basedeck)

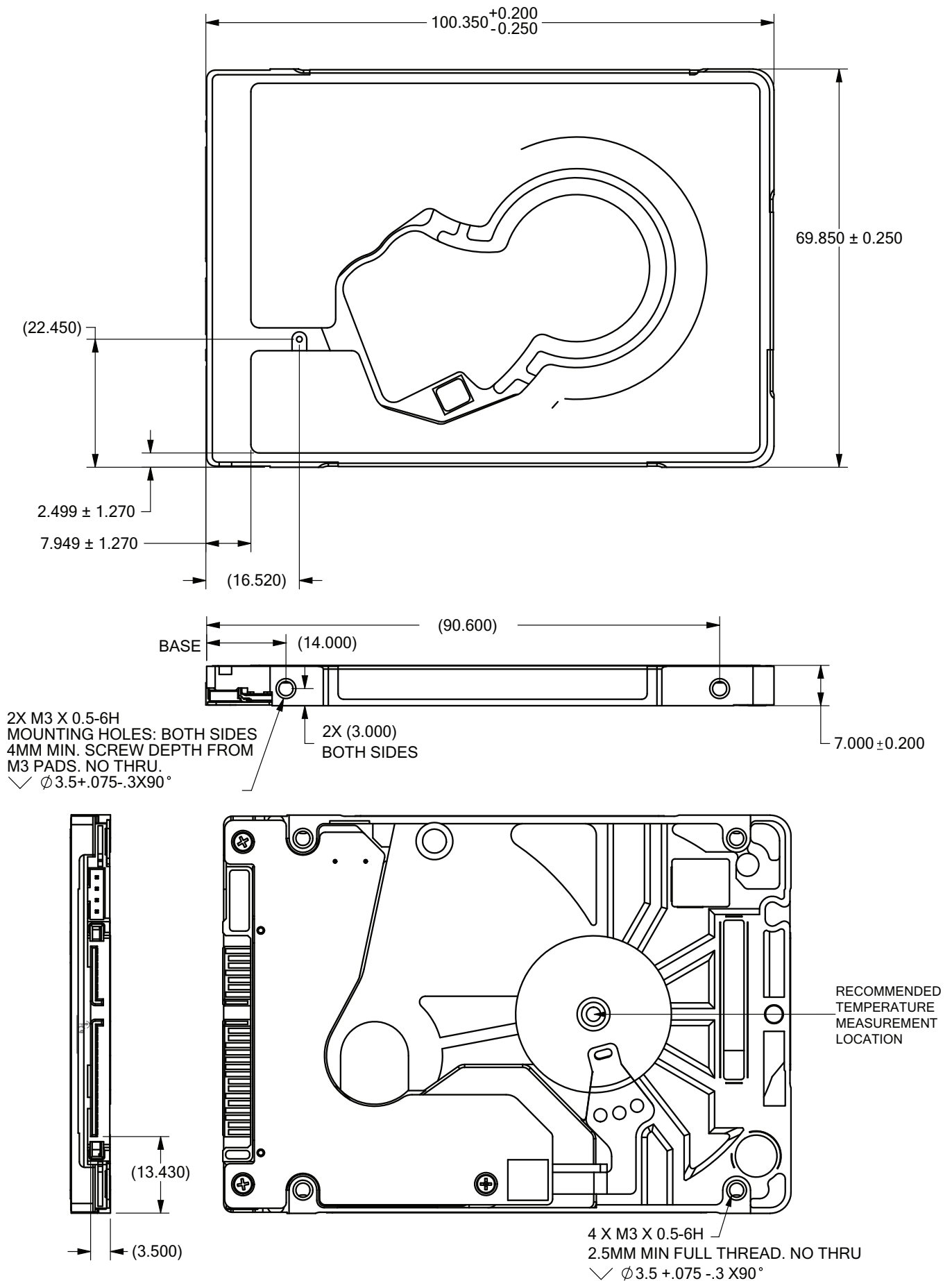
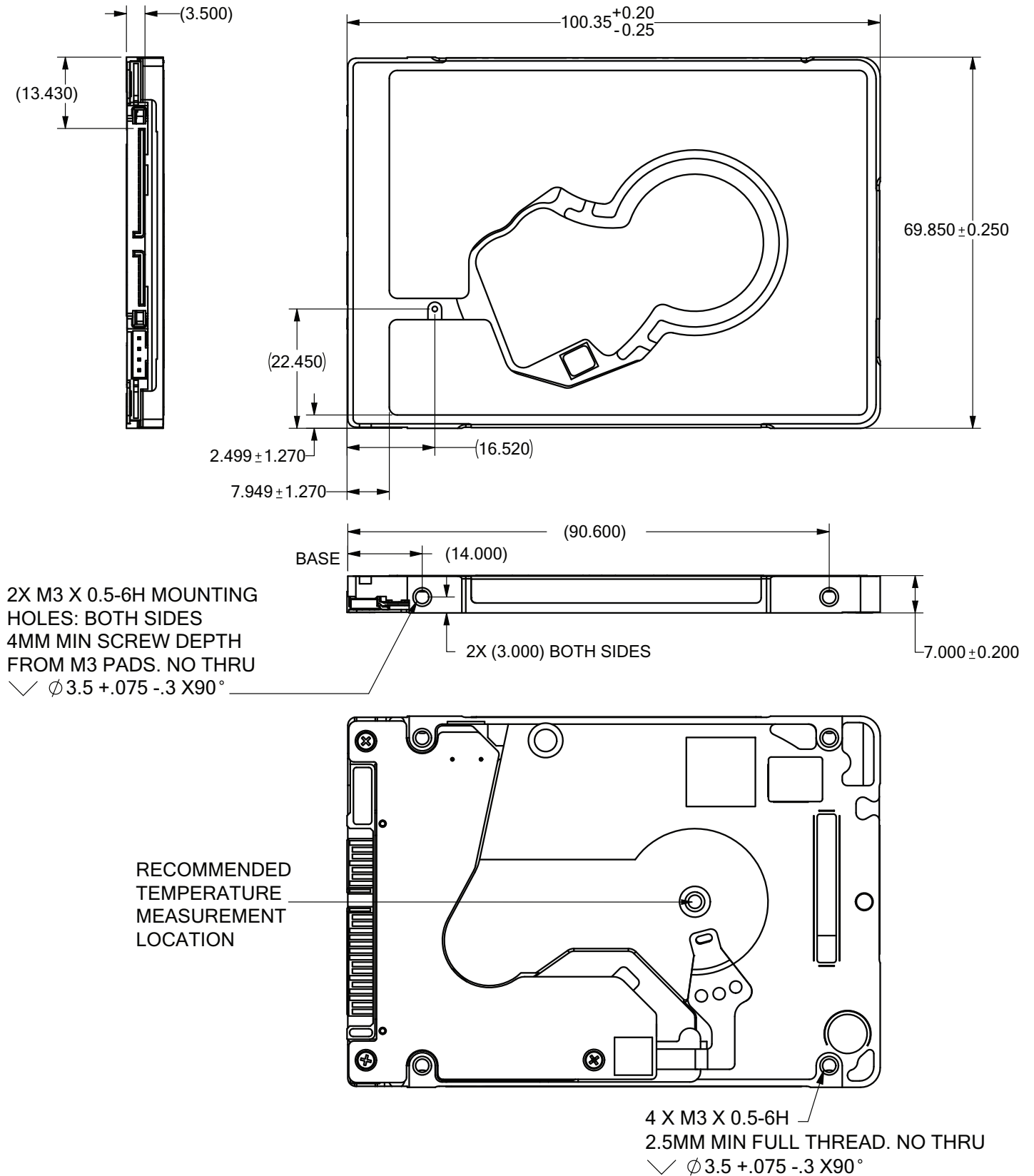


Figure 8 Mounting Dimensions (for 2-disk models)



4.0 Serial ATA (SATA) Interface

These drives use the industry-standard Serial ATA interface that supports FIS data transfers. It supports ATA programmed input/output (PIO) modes 0–4; multiword DMA modes 0–2, and Ultra DMA modes 0–6. The drive also supports the use of the IORDY signal to provide reliable high-speed data transfers.

For detailed information about the Serial ATA interface, refer to the *Serial ATA: High Speed Serialized AT Attachment* specification.

4.1 Hot-Plug Compatibility

SkyHawk drives incorporate connectors which enable users to hot plug these drives in accordance with the Serial ATA: High Speed Serialized AT Attachment specification revision 2.0. This specification can be downloaded from www.serialata.org. This device requires a COMRESET from the host after a hotplug event.

4.2 Serial ATA Device Plug Connector Pin Definitions

Table 12 summarizes the signals on the Serial ATA interface and power connectors. Refer to the **Notes** below.

Table 12 Serial ATA Connector Pin Definitions

| Segment | Pin | Function | Definition |
|---|-----|----------------------|---|
| Signal | S1 | Ground | 2nd mate |
| | S2 | A+ | Differential signal pair A from Phy |
| | S3 | A- | |
| | S4 | Ground | 2nd mate |
| | S5 | B- | Differential signal pair B from Phy |
| | S6 | B+ | |
| | S7 | Ground | 2nd mate |
| Key and spacing separate signal and power segments | | | |
| Power | P1 | V33 | 3.3V power |
| | P2 | V33 | 3.3V power |
| | P3 | V33 | 3.3V power, pre-charge, 2nd mate |
| | P4 | Ground | 1st mate |
| | P5 | Ground | 2nd mate |
| | P6 | Ground | 2nd mate |
| | P7 | V5 | 5V power, pre-charge, 2nd mate |
| | P8 | V5 | 5V power |
| | P9 | V5 | 5V power |
| | P10 | Ground | 2nd mate |
| | P11 | Ground or LED signal | If grounded, drive does not use deferred spin |
| | P12 | Ground | 1st mate |
| | P13 | V12 | 12V power, pre-charge, 2nd mate |
| | P14 | V12 | 12V power |
| | P15 | V12 | 12V power |

Notes

- All pins are in a single row, with a 1.27 mm (0.050 in) pitch.
- The comments on the mating sequence apply to the case of backplane blindmate connector only. In this case, the mating sequences are:
 - the ground pins P4 and P12.
 - the pre-charge power pins and the other ground pins.
 - the signal pins and the rest of the power pins.
- There are three power pins for each voltage. One pin from each voltage is used for pre-charge when installed in a blind-mate backplane configuration.
- All used voltage pins (V_x) must be terminated.

4.3 Supported ATA Commands

Table 13 lists Serial ATA standard commands that the drive supports. For a detailed description of the ATA commands, refer to the *Serial ATA International Organization: Serial ATA* (Revision 2.6). Refer to www.sata-io.org.

Refer to **S.M.A.R.T. commands** on page 34 for details and subcommands used in the S.M.A.R.T. implementation.

Table 13 Supported ATA commands

| ATA-standard commands names | Command code (in hex) | |
|--|-----------------------|-----------------|
| Device Configuration Restore | B1h/C0h | |
| Device Configuration Freeze Lock | B1h/C1h | |
| Device Configuration Identify | B1h/C2h | |
| Device Configuration Set | B1h/C3h | |
| Download Microcode | 92h | |
| Execute Device Diagnostics | 90h | |
| Flush Cache | E7h | |
| Flush Cache Extended | EAh | |
| Identify Device | ECh | |
| Initialize Device Parameters | 91h | |
| Read Buffer | E4h | |
| Read DMA | C8h | |
| Read DMA Extended | 25h | |
| Read DMA without Retries | C9h | |
| Read Long with Retries | 22h | |
| Read Long without Retries | 23h | |
| Read Multiple | C4h | |
| Read Multiple Extended | 29h | |
| Read Native Max Address | F8h | |
| Read Native Max Address Extended | 27h | |
| Read Sectors | 20h | |
| Read Sectors Extended | 24h | |
| Read Sectors without Retries | 21h | |
| Read Verify Sectors | 40h | |
| Read Verify Sectors Extended | 42h | |
| Read Verify Sectors without Retries | 41h | |
| Seek | 70h | |
| Set Features | EFh | |
| Set Max Address | F9h | |
| Note: Individual Set Max commands are identified by the value placed in the Set Max Features register as defined to the right. | Address: | 00 _H |
| | Password: | 01 _H |
| | Lock: | 02 _H |
| | Unlock: | 03 _H |
| | Freeze Lock: | 04 _H |
| Set Max Address Ext | 37h | |
| Set Multiple Mode | C6h | |
| S.M.A.R.T. Disable Operations | B0h/D9h | |
| S.M.A.R.T. Enable/Disable Autosave | B0h/D2h | |
| S.M.A.R.T. Enable Operations | B0h/D8h | |

Table 13 Supported ATA commands

| ATA-standard commands names | Command code (in hex) | |
|--|------------------------------|------------|
| S.M.A.R.T. Enable/Disable Auto Offline | B0h/DBh | |
| S.M.A.R.T. Enable One Attribute Modification | B0h/E0h | |
| S.M.A.R.T. Execute Offline | B0h/D4h | |
| S.M.A.R.T. Free Fall Protection Host Interface | FEh | |
| S.M.A.R.T. Read Attribute Thresholds | B0h/D1h | |
| S.M.A.R.T. Read Data | B0h/D0h | |
| S.M.A.R.T. Read Log Sector | B0h/D5h | |
| S.M.A.R.T. Return Status | B0h/DAh | |
| S.M.A.R.T. Save Attribute Values | B0h/D3h | |
| S.M.A.R.T. Write Attribute Thresholds | B0h/D7h | |
| S.M.A.R.T. Write Attribute Values | B0h/E1h | |
| S.M.A.R.T. Write Log Sector | B0h/D6h | |
| Trusted Receive | 5Ch | (SED only) |
| Trusted Receive DMA | 5Dh | (SED only) |
| Trusted Send | 5Eh | (SED only) |
| Trusted Send DMA | 5Fh | (SED only) |
| Write Buffer | E8h | |
| Write DMA | CAh | |
| Write DMA Extended | 35h | |
| Write DMA without Retries | CBh | |
| Write Long with Retries | 32h | |
| Write Long without Retries | 33h | |
| Write Multiple | C5h | |
| Write Multiple Extended | 39h | |
| Write Sectors | 30h, 31h | |
| Write Sectors Extended | 34h | |
| ATA-standard power-management commands | | |
| Check Power Mode | E5h | |
| Idle | E3h | |
| Idle Immediate | E1h | |
| Sleep | E6h | |
| Standby | E2h | |
| Standby Immediate | E0h | |
| ATA-standard security commands | | |
| Security Set Password | F1h | |
| Security Unlock | F2h | |
| Security Erase Prepare | F3h | |
| Security Erase Unit | F4h | |
| Security Freeze Lock | F5h | |
| Security Disable Password | F6h | |

4.3.1 Identify Device command

The Identify Device command (command code EC_H) transfers information about the drive to the host following power up. The data is organized as a single 512-byte block of data, whose contents are shown in [Table 14](#). All reserved bits or words should be set to zero. Parameters listed with an “x” are drive-specific or vary with the state of the drive. Refer to [Drive Specifications](#) on page 7 for default parameter settings.

The following commands contain drive-specific features that may not be included in the Serial ATA specification.

Table 14 Identify Device command

| Word | Description | Value |
|-------|---|--|
| 0 | Configuration information: • Bit 15: 0 = ATA; 1 = ATAPI • Bit 7: removable media • Bit 6: removable controller • Bit 0: reserved | 0C5A _H |
| 1 | Number of logical cylinders | 16,383 |
| 2 | Specific configuration | C837 _H |
| 3 | Number of logical heads | 16 |
| 4 | Retired | 0000 _H |
| 5 | Retired | 0000 _H |
| 6 | Number of logical sectors per logical track: 63 | 003F _H |
| 7–9 | Retired | 0000 _H |
| 10–19 | Serial number: (20 ASCII characters, 0000 _H = none) | ASCII |
| 20 | Retired | 0000 _H |
| 21 | Retired | 8000 _H |
| 22 | Obsolete | 0004 _H |
| 23–26 | Firmware revision: (8 ASCII character string, padded with blanks to end of string) | x.xx |
| 27–46 | Drive model number: (40 ASCII characters, padded with blanks to end of string) | ST1000LV000 ST2000LV000 |
| 47 | (Bits 7–0) Maximum sectors per interrupt on Read multiple and Write multiple (16) | 8010 _H |
| 48 | Trusted Computing Feature set options | 4001 _H |
| 49 | Standard Standby timer, IORDY supported and may be disabled | 2F00 _H |
| 50 | Capabilities | 4000 _H |
| 51 | PIO data-transfer cycle timing mode | 0200 _H |
| 52 | Retired | 0200 _H |
| 53 | Words 54–58, 64–70 and 88 are valid | 0007 _H |
| 54 | Number of current logical cylinders | xxxx _H |
| 55 | Number of current logical heads | xxxx _H |
| 56 | Number of current logical sectors per logical track | xxxx _H |
| 57–58 | Current capacity in sectors | xxxx _H |
| 59 | Number of sectors transferred during a Read Multiple or Write Multiple command | xxxx _H |
| 60–61 | Total number of user-addressable sectors This field contains a value that is one greater than the total number of user-addressable sectors. The maximum value that shall be placed in this field is 0FFFFFFh. The 0FFFFFFh value applies to all capacities over 137GB (see Section 2.1, Formatted Capacity for related information). | ST1000LV000 = 0FFFFFFh ST2000LV000 = 0FFFFFFh |
| 62 | Retired | 0000 _H |
| 63 | Multiword DMA active and modes supported (see note following this table) | xx07 _H |

Table 14 Identify Device command

| Word | Description | Value |
|---------|--|--|
| 64 | Advanced PIO modes supported (modes 3 and 4 supported) | 0003 _H |
| 65 | Minimum multiword DMA transfer cycle time per word (120 ns) | 0078 _H |
| 66 | Recommended multiword DMA transfer cycle time per word (120 ns) | 0078 _H |
| 67 | Minimum PIO cycle time without IORDY flow control (240 ns) | 0078 _H |
| 68 | Minimum PIO cycle time with IORDY flow control (120 ns) | 0078 _H |
| 69 | Additional Supported bits Bit 4 means Device Encrypts All User Data on the device. Bit 7 means IEEE1667 protocol is supported. | xx1x _H or xx9x _H |
| 70–74 | ATA-reserved | 0000 _H |
| 75 | Queue depth | 001F _H |
| 76 | Serial ATA capabilities | 0D06 _H |
| 77 | ATA-reserved | 0000 _H |
| 78 | Serial ATA features supported | 0048 _H |
| 79 | Serial ATA features enabled | 0048 _H |
| 80 | Major version number | 01F0 _H |
| 81 | Minor version number | 0029 _H |
| 82 | Command sets supported | 746B _H |
| 83 | Command sets supported | 7D69 _H |
| 84 | Command sets support extension | 61E3 _H |
| 85 | Command sets enabled | 7469 |
| 86 | Command sets enabled | BC49 _H |
| 87 | Command sets enable extension | 61E3 _H |
| 88 | Ultra DMA support and current mode (see note following this table) | xx7F _H |
| 89 | Security erase time | xxxx _H |
| 90 | Enhanced security erase time | xxxx _H |
| 91 | Current APM values | 8080 _H |
| 92 | Master password revision code | FFFE _H |
| 93 | Hardware reset value (see description following this table) | xxxx _H |
| 94 | Auto acoustic management setting | xxxx _H |
| 95 | Stream Min. Request Size | 0000 _H |
| 96 | Streaming Transfer Time - DMA | 0000 _H |
| 97 | Streaming Access Latency - DMA and PIO | 0000 _H |
| 98-99 | Streaming Performance Granularity | 0000 _H |
| 100–103 | Total number of user-addressable LBA sectors available (see Section 3.2, Configuring the Drive for related information) These words are required for drives that support the 48-bit addressing feature. Maximum value: 0000FFFFFFFF _H . | ST1000LV000 = 1,953,525,168 ST2000LV000 = 3,907,029,168 |
| 104 | Streaming Transfer Time - PIO | 0000 _H |
| 105 | Reserved | 0000 _H |
| 106 | Physical sector size / Logical sector size | 6003 _H |

Table 14 Identify Device command

| Word | Description | Value |
|---------|--|---|
| 107 | Seagate reserved | 0000 _H |
| 108-111 | The mandatory value of the world wide name (WWN) for the drive. NOTE: This field is valid if word 84, bit 8 is set to 1 indicating 64-bit WWN support. | Each drive will have a unique value. |
| 112-118 | ATA-reserved | 0000 _H |
| 119 | Free Fall Protection support (bit 5) | 1 = Free Fall Protection supported 0 = Free Fall Protection not supported |
| 120 | Free Fall Protection enable/disable (bit 5) | 1 = Free Fall Protection feature is enabled 0 = Free Fall Protection feature is disabled |
| 121-127 | ATA-reserved | 0000 _H |
| 128 | Security status | 0021 _H |
| 129-159 | Seagate-reserved | xxxx _H |
| 160-221 | ATA-reserved | 0000 _H |
| 222 | Transport major version number | 101F _H |
| 223-254 | ATA-reserved | 0000 _H |
| 255 | Integrity word | xxA5 _H |

| | |
|-------------|---|
| Note | See the bit descriptions below for words 63, 88 and 93 of the Identify Drive data. (on next page) |
|-------------|---|

Table 15 Bit Descriptions

| Description (if bit is set to 1) | |
|---|--|
| Bit | Word 63 |
| 0 | Multiword DMA mode 0 is supported. |
| 1 | Multiword DMA mode 1 is supported. |
| 2 | Multiword DMA mode 2 is supported. |
| 8 | Multiword DMA mode 0 is currently active. |
| 9 | Multiword DMA mode 1 is currently active. |
| 10 | Multiword DMA mode 2 is currently active. |
| Bit | Word 88 |
| 0 | Ultra DMA mode 0 is supported. |
| 1 | Ultra DMA mode 1 is supported. |
| 2 | Ultra DMA mode 2 is supported. |
| 3 | Ultra DMA mode 3 is supported. |
| 4 | Ultra DMA mode 4 is supported. |
| 5 | Ultra DMA mode 5 is supported. |
| 6 | Ultra DMA mode 6 is supported. |
| 8 | Ultra DMA mode 0 is currently active. |
| 9 | Ultra DMA mode 1 is currently active. |
| 10 | Ultra DMA mode 2 is currently active. |
| 11 | Ultra DMA mode 3 is currently active. |
| 12 | Ultra DMA mode 4 is currently active. |
| 13 | Ultra DMA mode 5 is currently active. |
| 14 | Ultra DMA mode 6 is currently active. |
| Bit | Word 93 |
| 13 | 1 = 80-conductor cable detected, CBLID above VIH 0 = 40-conductor cable detected, CBLID below VIL |

4.3.2 Set Features command

This command controls the implementation of various features that the drive supports. When the drive receives this command, it sets BSY, checks the contents of the Features register, clears BSY and generates an interrupt. If the value in the register does not represent a feature that the drive supports, the command is aborted. Power-on default has the read look-ahead and write caching features enabled.

The acceptable values for the Features register are defined as follows:

Table 16 Set Features command values

| | |
|-----------------|--|
| 02 _H | Enable write cache (<i>default</i>). |
| 03 _H | Set transfer mode (based on value in Sector Count register). Sector Count register values: 00 _H Set PIO mode to default (PIO mode 2). 01 _H Set PIO mode to default and disable IORDY (PIO mode 2). 08 _H PIO mode 0 09 _H PIO mode 1 0A _H PIO mode 2 0B _H PIO mode 3 0C _H PIO mode 4 (<i>default</i>) 20 _H Multiword DMA mode 0 21 _H Multiword DMA mode 1 22 _H Multiword DMA mode 2 40 _H Ultra DMA mode 0 41 _H Ultra DMA mode 1 42 _H Ultra DMA mode 2 43 _H Ultra DMA mode 3 44 _H Ultra DMA mode 4 45 _H Ultra DMA mode 5 46 _H Ultra DMA mode 6 |
| 55 _H | Disable read look-ahead (read cache) feature. |
| 82 _H | Disable write cache |
| AA _H | Enable read look-ahead (read cache) feature (<i>default</i>). |
| C1 _H | Disable the Free Fall Protection feature (41 _H above enables the Free Fall Protection feature) |
| F1 _H | Report full capacity available |

Note At power-on, or after a hardware or software reset, the default values of the features are as indicated above

4.3.3 S.M.A.R.T. commands

S.M.A.R.T. provides near-term failure prediction for disk drives. When S.M.A.R.T. is enabled, the drive monitors predetermined drive attributes that are susceptible to degradation over time. If self-monitoring determines that a failure is likely, S.M.A.R.T. makes a status report available to the host. Not all failures are predictable. S.M.A.R.T. predictability is limited to the attributes the drive can monitor. For more information on S.M.A.R.T. commands and implementation, see the *Draft ATA-5 Standard*.

SeaTools diagnostic software activates a built-in drive self-test (DST S.M.A.R.T. command for D4_H) that eliminates unnecessary drive returns. The diagnostic software ships with all new drives and is also available at:

<http://www.seagate.com/support/downloads/seatools/>.

This drive is shipped with S.M.A.R.T. features disabled. Users must have a recent BIOS or software package that supports S.M.A.R.T. to enable this feature. The table below shows the S.M.A.R.T. command codes that the drive uses.

Table 17 S.M.A.R.T. Commands

| Code in features register | S.M.A.R.T. command |
|---------------------------|--|
| D0 _H | S.M.A.R.T. Read Data |
| D2 _H | S.M.A.R.T. Enable/Disable Attribute Autosave |
| D3 _H | S.M.A.R.T. Save Attribute Values |
| D4 _H | S.M.A.R.T. Execute Off-line Immediate (runs DST) |
| D5 _H | S.M.A.R.T. Read Log Sector |
| D6 _H | S.M.A.R.T. Write Log Sector |
| D8 _H | S.M.A.R.T. Enable Operations |
| D9 _H | S.M.A.R.T. Disable Operations |
| DA _H | S.M.A.R.T. Return Status |

Note

If an appropriate code is not written to the Features Register, the command is aborted and 0x04 (abort) is written to the Error register.



Seagate Technology LLC

AMERICAS Seagate Technology LLC 10200 South De Anza Boulevard, Cupertino, California 95014, United States, 408-658-1000

ASIA/PACIFIC Seagate Singapore International Headquarters Pte. Ltd. 90 Woodlands Avenue 7, Singapore 737911, 65-6412-3666

EUROPE, MIDDLE EAST AND AFRICA Seagate Technology (Netherlands) B.V. Koolhovenlaan 1, 1119 NB Schiphol-Rijk, Netherlands, 31-20-316-7300

Publication Number: 100813751, Rev. E

February 2019