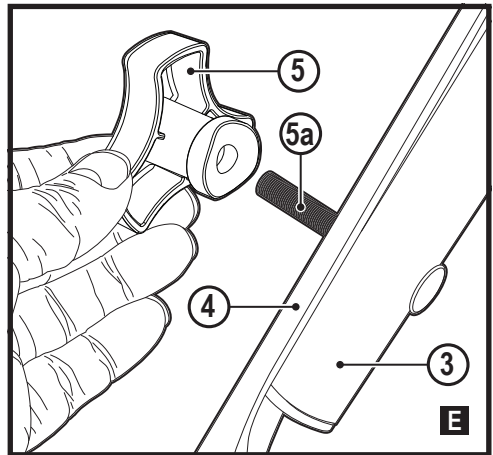
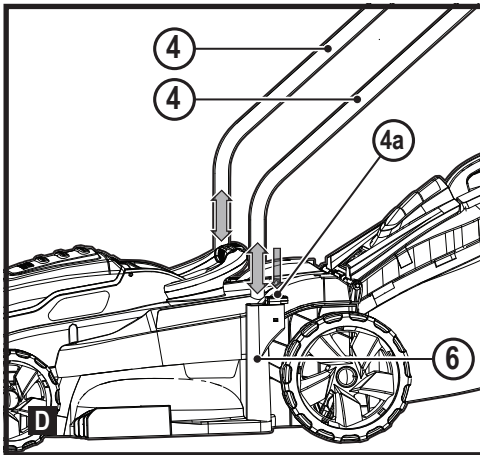
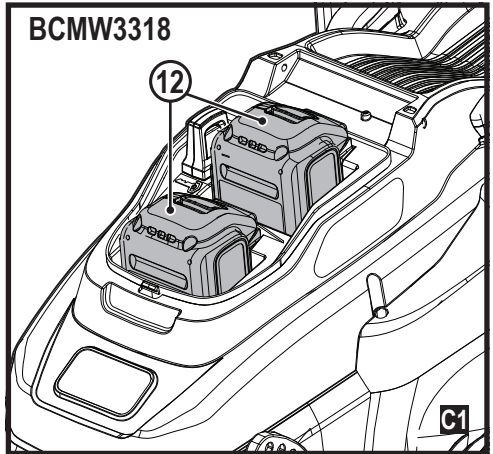
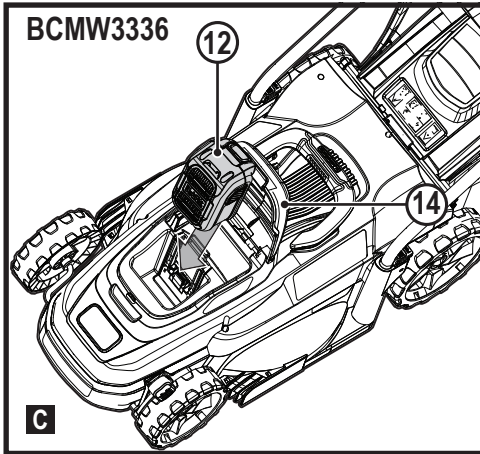
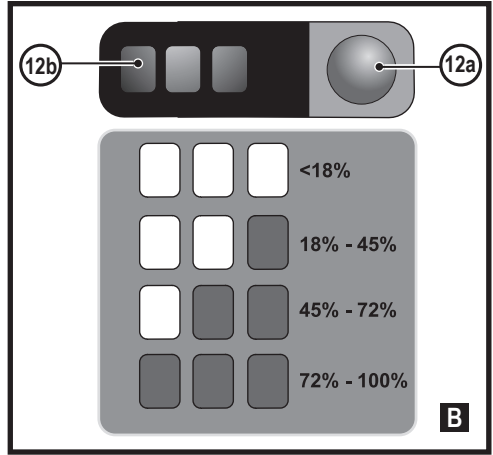
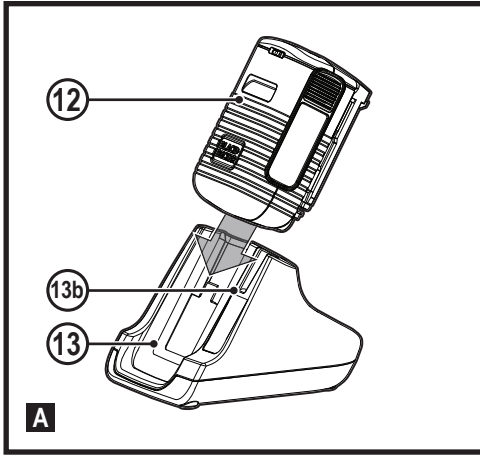
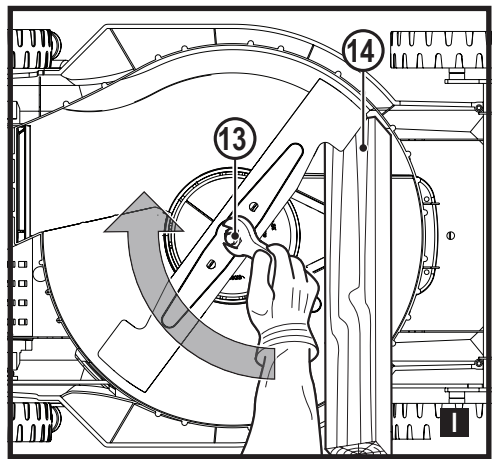
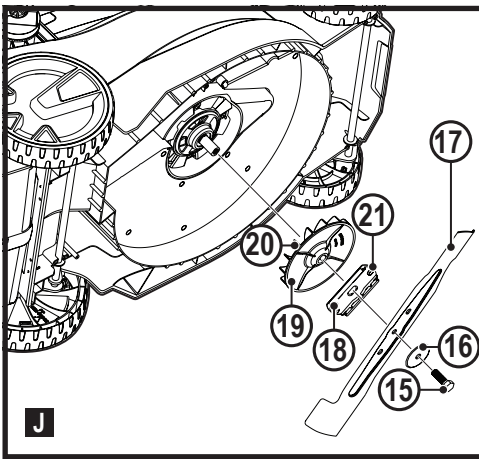
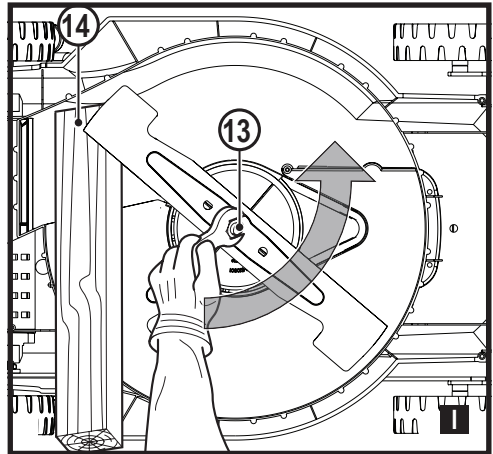
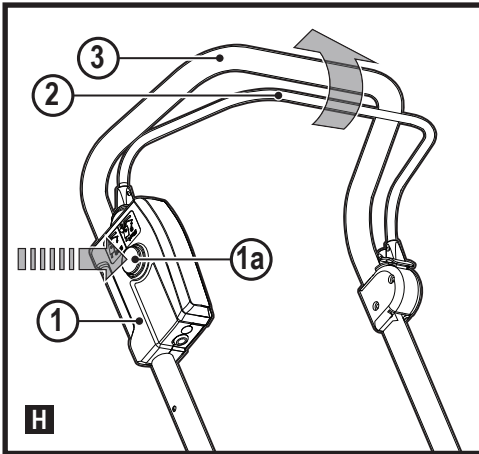
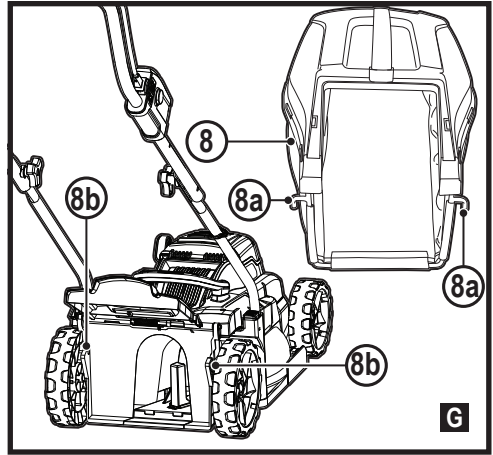
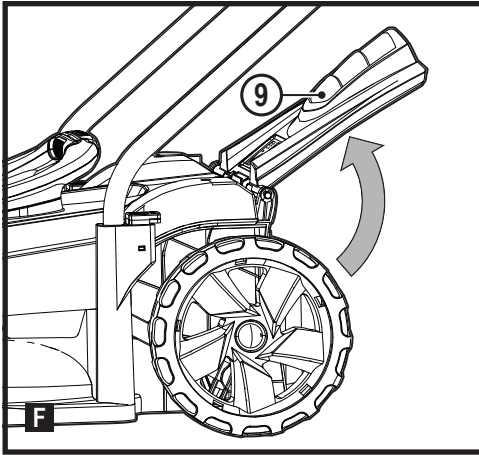
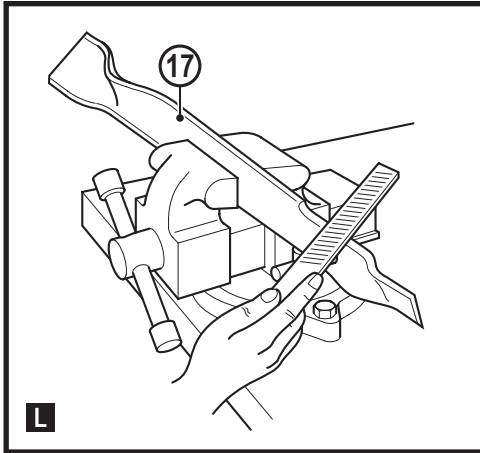


**BCM3318**  
**BCM3336**

[www.blackanddecker.com](http://www.blackanddecker.com)





**Intended use**

Your BLACK+DECKER BCMW3318, BCMW3336 lawn mowers have been designed for mowing grass. These appliances are intended for consumer use only.

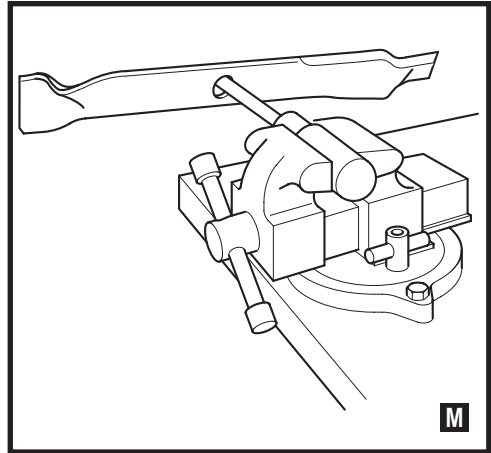
**Safety instructions**

**Warning!** When using cordless appliances, basic safety precautions, including the following, should always be followed to reduce the risk of fire, electric shock, personal injury and material damage.

**Warning!** When using the machine the safety rules must be followed.

For your own safety and bystanders please read these instructions before operating the machine. Please keep the instructions safe for later use.

- ◆ Read all of this manual carefully before operating the appliance.
- ◆ The intended use is described in this manual. The use of any accessory or attachment or the performance of any operation with this appliance other than those recommended in this instruction manual may present a risk of personal injury.



- ◆ Retain this manual for future reference.

**Using your appliance**

Always take care when using the appliance.

- ◆ This appliance is not intended for use by young or infirm persons without supervision.
- ◆ The appliance is not to be used as a toy.
- ◆ Do not allow children or animals to come near the work area or touch the appliance or power supply cord.
- ◆ Close supervision is necessary when the appliance is used near children.
- ◆ Use in a dry location only. Do not allow the appliance to become wet. Do not immerse the appliance in water.
- ◆ Do not open body casing. There are no user serviceable parts inside.
- ◆ Do not operate the appliance in explosive atmospheres, such as in the presence of flammable liquids, gases or dust.



- ◆ To reduce the risk of damage to plugs and cords never pull the cable to remove the plug from a socket.
- ◆ Before using, always visually inspect to see that the blades, blade bolts and cutter assembly are not worn or damaged.

Replace worn or damaged blades and bolts in sets to preserve balance.

- ◆ In order to avoid a hazard due to inadvertent resetting of the thermal cut-out, this appliance must not be supplied through an external switching device, such as a timer, or connected to a circuit that is regularly switched on and off by the utility.
- ◆ Never operate the machine while people, especially children, or pets are nearby.
- ◆ Keep in mind that the operator or user is responsible for accidents or hazards occurring to other people or their property.

### Before use

- ◆ While operating the machine always wear substantial footwear and long trousers. Do not operate the machine when barefoot or wearing open sandals. Avoid wearing clothing that is loose fitting or that has hanging cords or ties.
- ◆ Thoroughly inspect the area where the machine is to be used and remove all objects which can be thrown by the machine.

- ◆ Before using, always visually inspect to see that the blade, blade bolt and the blade assembly are not worn or damaged. Replace worn or damaged components in sets to preserve balance. Replace damaged or unreadable labels.

### After use

- ◆ When not in use, the appliance should be stored in a dry, well ventilated place out of the reach of children.
- ◆ Children should not have access to stored appliances.
- ◆ When the appliance is stored or transported in a vehicle it should be placed in the boot or restrained to prevent movement following sudden changes in speed or direction.

### Inspection and repairs

- ◆ Before use, check the appliance for damaged or defective parts. Check for breakage of parts, damage to switches and any other conditions that may affect its operation.
- ◆ Do not use the appliance if any part is damaged or defective.
- ◆ Have any damaged or defective parts repaired or replaced by an authorised repair agent.
- ◆ Never attempt to remove or replace any parts other than those specified in this manual.
- ◆ Be careful during adjustment of the mower to prevent entrapment of the fingers between moving blades/parts and fixed parts of the machine.

- ◆ When servicing the blades be aware that, even though the power source is switched off, the blades can still be moved.

## Additional safety instructions for lawn mowers

- ◆ Do not transport the machine while the power source is running
- ◆ Firmly grip handle with both hands when operating the lawn mower.
- ◆ If at any time it is felt necessary to tilt the lawn mower, make sure that both hands remain in the operating position while the lawn mower is tilted. Keep both hands in the operating position until the lawn mower is returned to rest correctly on the ground.
- ◆ Never wear radio or music headphones while operating the lawn mower.
- ◆ Never attempt to make a wheel height adjustment while the motor is running or while the safety key is in the switch housing.
- ◆ If the lawn mower stalls, release bail bar to turn mower off, wait for blade to stop, before attempting to unclog the chute or remove anything from under the deck.
- ◆ Keep hands and feet away from cutting area.
- ◆ Keep blades sharp. Always use protective gloves when handling the lawn mower blade.
- ◆ If you are using the grass collector, check it frequently for wear and deterioration.

If excessively worn, replace with a new grass collector for your safety.

- ◆ Use extreme caution when reversing or pulling the lawn mower towards you.
- ◆ Do not put hands or feet near or under the lawn mower.

Keep clear of the discharger opening at all times.

- ◆ Clear the area where the lawn mower is to be used of objects such as rocks, sticks, wire, toys, bones etc., which could be thrown by the blade.

Objects struck by the blade can cause severe injury to persons. Stay behind the handle when the motor is running.

- ◆ Do not operate the lawn mower barefooted or while wearing sandals. Always wear substantial footwear.
- ◆ Do not pull lawn mower backward unless absolutely necessary. Always look down and behind before and while moving backward.
- ◆ Never direct discharged material toward anyone. Avoid discharging material against a wall or obstruction. Material may ricochet back toward the operator. Release the bail bar to turn the lawn mower off and stop the blade when crossing gravel surfaces.
- ◆ Do not operate the lawn mower without the entire grass collector, discharge guard, rear guard, or other safety protective devices in place and working. Periodically check all guards and safety protective devices to ensure they are in good working order and will operate properly and perform their intended function.

Replace a damaged guard or other safety device before further use.

- ◆ Never leave a running lawn mower unattended.
  - ◆ Always release the bail bar to stop the motor and wait until the blade comes to a complete stop before cleaning the lawn mower, removing the grass bag, unclogging the discharge guard, when leaving the lawn mower, or before making any adjustments, repairs or inspections.
  - ◆ Operate lawn mower only in daylight or good artificial light when objects in the path of the blade are clearly visible from the operating area of the lawn mower.
  - ◆ Do not operate the lawn mower while under the influence of alcohol or drugs, or when you are tired or ill. Always stay alert, watch what you are doing, and use common sense.
  - ◆ Avoid dangerous environments. Never operate the lawn mower in damp or wet grass, never use lawn mower in the rain. Always be sure of your footing, walk, never run.
  - ◆ If the lawn mower should start to vibrate abnormally, release the bail bar, wait for the blade to stop and then check for the cause immediately. Vibration is generally a warning of trouble, see the troubleshooting guide for advice in the case of abnormal vibration.
  - ◆ Always wear proper eye and respiratory protection when operating the lawn mower.
- ◆ The use of any accessory or attachment not recommended for use with this lawn mower could be hazardous. Only use accessories approved by BLACK+DECKER.
  - ◆ Never overreach while operating the lawn mower. Always be sure to keep proper footing and balance at all times while operating the lawn mower.
  - ◆ Mow across the face of slopes, never up and down. Exercise extreme caution when changing direction on slopes.
  - ◆ Watch for holes, ruts, bumps, rocks or other hidden objects. Uneven terrain could cause a slip and fall accident. Tall grass can hide obstacles.
  - ◆ Do not mow on wet grass or excessively steep slopes. Poor footing could cause a slip and fall accident.
  - ◆ Do not mow near drop-offs, ditches, or embankments.  
You could lose your footing or balance.
  - ◆ Always allow the mower to cool down before storing.
- Pull the plug from the socket and pull the battery pack from the machine. Make sure that all moving parts have come to a complete stop:
- ◆ Whenever you leave the machine;
  - ◆ Before clearing a blockage;
  - ◆ Before checking, cleaning or working on the appliance.

## Safety of others

- ◆ This appliance is not intended for use by persons (including children) with reduced physical, sensory or mental capabilities, or lack of experience and knowledge, unless they have been given supervision or instruction concerning use of the appliance by a person responsible for their safety.
- ◆ Children must be supervised to ensure that they do not play with the appliance.
- ◆ After striking a foreign object. Inspect the appliance for damage and make repairs as necessary;

## Residual risks.

Additional residual risks may arise when using the tool which may not be included in the enclosed safety warnings. These risks can arise from misuse, prolonged use etc.

Even with the application of the relevant safety regulations and the implementation of safety devices, certain residual risks can not be avoided. These include:

- ◆ Injuries caused by touching any rotating/moving parts.
- ◆ Injuries caused when changing any parts, blades or accessories.
- ◆ Injuries caused by prolonged use of a tool. When using any tool for prolonged periods ensure you take regular breaks.
- ◆ Impairment of hearing.

- ◆ Health hazards caused by breathing dust developed when using your tool (example:- working with wood, especially oak, beech and MDF.)
- ◆ If operating the mower in a damp location is unavoidable, use a residual current device (RCD) with a tripping current of not more than 30 mA. Use of an RCD reduces the risk of electric shock.
- ◆ Never pick up or carry an appliance while the motor is running.

## Warning symbols

The following warning symbols are found on the appliance along with the date code:



**Warning!** Read the manual prior to operation.



Do not expose the appliance to rain or high humidity.



**Beware of sharp blades.**

Blades continue to rotate after the motor is switched off – Remove disabling device before maintenance or if cord is damaged.



Beware of flying objects. Keep bystanders away from the cutting area.



Wear eye protection



The blades will continue to rotate after the machine is switched off.



Directive 2000/14/EC guaranteed sound power.

## Additional safety instructions for batteries and chargers

### Batteries

- ◆ Never attempt to open for any reason.
- ◆ Do not expose the battery to water.
- ◆ Do not expose the battery to heat.
- ◆ Do not store in locations where the temperature may exceed 40 °C.
- ◆ Charge only at ambient temperatures between 10 °C and 40 °C.
- ◆ Charge only using the charger provided with the appliance/tool. Using the wrong charger could result in an electric shock or overheating of the battery.
- ◆ When disposing of batteries, follow the instructions given in the section "Protecting the environment".
- ◆ Do not damage/deform the battery pack either by puncture or impact, as this may create a risk of injury and fire.
- ◆ Do not charge damaged batteries.
- ◆ Under extreme conditions, battery leakage may occur. When you notice liquid on the batteries carefully wipe the liquid off using a cloth. Avoid skin contact.
- ◆ In case of skin or eye contact, follow the instructions below.

**Warning!** The battery fluid may cause personal injury or damage to property. In case of skin contact, immediately rinse with water.

If redness, pain or irritation occurs seek medical attention. In case of eye contact, rinse immediately with clean water and seek medical attention.



Do not attempt to charge damaged batteries

### Charger

Your charger has been designed for a specific voltage.

Always check that the mains voltage corresponds to the voltage on the rating plate.

**Warning!** Never attempt to replace the charger unit with a regular mains plug.

- ◆ Use your Black & Decker charger only to charge the battery in the appliance/tool with which it was supplied. Other batteries could burst, causing personal injury and damage.
- ◆ Never attempt to charge non-rechargeable batteries.
- ◆ If the supply cord is damaged, it must be replaced by the manufacturer or an authorised Black & Decker Service Centre in order to avoid a hazard.
- ◆ Do not expose the charger to water.
- ◆ Do not open the charger.
- ◆ Do not probe the charger.
- ◆ The appliance/tool/battery must be placed in a well ventilated area when charging.



The charger is intended for indoor use only.



Read the instruction manual before use.

## Electrical safety



Your charger is double insulated; therefore no earth wire is required.

Always check that the mains voltage corresponds to the voltage on the rating plate. Never attempt to replace the charger

unit with a regular mains plug.

- ◆ If the supply cord is damaged, it must be replaced by the manufacturer or an authorised Black & Decker Service Centre in order to avoid a hazard.

## Features

This appliance includes some or all of the following features.

1. Switch box
2. Bail handle
3. Upper-handle
4. Lower-handle
5. Upper-handle attachment knobs (2)
6. Lower-handle attachment port (2)
7. Cut height adjust lever
8. Grass collection bag
9. Rear door cover
10. Carrying handles

## Charging procedure

BLACK+DECKER chargers are designed to charge BLACK+DECKER battery packs.

- ◆ Plug the charger into an appropriate outlet before inserting the battery pack.
- ◆ Insert the battery pack into the charger.



The green LED will flash indicating that the battery is being charged



The completion of charge is indicated by the green LED remaining on continuously. The pack is fully charged and may be used at this time or left on the charger

**Warning!** Recharge discharged batteries as soon as possible after use or battery life may be greatly diminished.

## Charger diagnostics

This charger is designed to detect certain problems that can arise with the battery packs or the power source. Problems are indicated by one LED flashing in different patterns.

## Bad battery



The charger can detect a weak or damaged battery.

The red LED flashes in the pattern indicated on the label. If you see this bad battery blink pattern, do not continue to charge the battery.

Return it to a service center or a collection site for recycling

## Hot/cold pack delay



When the charger detects a battery that is excessively hot or excessively cold, it automatically starts a Hot/Cold Pack Delay, suspending charging until the battery has normalized.

After this happens, the charger automatically switches to the Pack Charging mode. This feature ensures maximum battery life. The red LED flashes in the pattern indicated on the label when the hot / cold pack delay is detected

## Important charging notes

- ◆ Longest life and best performance can be obtained if the battery pack is charged when the air temperature is between 60°F and 80°F (16°- 27°C).
- ◆ DO NOT charge the battery pack in an air temperature below +40°F (+4.5°C), or above +105°F (+40.5°C). This is important and will prevent serious damage to the battery pack.
- ◆ The charger and battery pack may become warm to touch while charging. This is a normal condition, and does not indicate a problem. To facilitate the cooling of the battery pack after use, avoid placing the charger or battery pack in a warm environment such as in a metal shed, or an uninsulated trailer.
- ◆ If the battery pack does not charge properly:
  - ◆ Check current at receptacle by plugging in a lamp or other appliance
  - ◆ Check to see if receptacle is connected to a light switch which turns power off when you turn out the lights.
  - ◆ Move charger and battery pack to a location where the surrounding air temperature is approximately 60°F - 80°F (16° - 27°C).
  - ◆ If charging problems persist, take the tool, battery pack and charger to your local service center.
- ◆ The battery pack should be recharged when it fails to produce sufficient power on jobs which were easily done previously. DO NOT CONTINUE to use under these conditions. Follow the charging procedure. You may also charge a partially used pack whenever you desire with no adverse affect on the battery pack.
- ◆ Foreign materials of a conductive nature such as, but not limited to, steel wool, aluminium foil, or any buildup of metallic particles should be kept away from charger cavities.



Always unplug the charger from the power supply when there is no battery pack in the cavity. Unplug charger before attempting to clean.

- ◆ Do not freeze or immerse charger in water or any other liquid.

**Warning!** Do not allow any liquid to get inside charger. **NEVER ATTEMPT TO OPEN THE BATTERY PACK FOR ANY REASON. IF THE PLASTIC HOUSING OF THE BATTERY PACK BREAKS OR CRACKS, RETURN TO A SERVICE CENTER FOR RECYCLING.**

### Battery state of charge indicator

The battery is equipped with a state of charge indicator. This can be used to display the current level of charge in the battery while in the mower and during charging. It does not indicate tool functionality and is subject to variation based on product components, temperature and end-user application.

### Checking state of charge:

- ◆ Press the state of charge indicator button (12a).
- ◆ The three LEDs (12b) will illuminate indicating the percent of charge in the battery. See chart in figure B.
- ◆ If LED light does not illuminate, charge battery.

### To install battery packs (fig. C, C1)

- ◆ Lift the battery port cover (14) up to expose the battery port.
- ◆ Slide the battery (12) into the battery port until it is fully seated and an audible click is heard (figure C).  
Make sure battery pack is fully seated and fully latched into position. The BCMW3318 unit has two battery ports as shown in Figure C1.
- ◆ Close the battery port cover. Ensure the cover is fully latched before starting mower.

### To remove battery packs:

- ◆ Open the battery port cover (14) as described above.
- ◆ Depress the battery release button on the battery pack and pull battery pack out of tool.

### Assembly

**Warning!** Before assembly, make sure the bail handle is released.

### Attaching lower handle

- ◆ Push the button (4a) on the lower handle attachment port (6) and insert the lower handle (4). Adjust the height to your requirement.

**Note!** Ensure each side of the lower handle is set at the same Height.

### Attaching upper handle (fig. H)

The upper handle has two different mounting position holes to adjust length of the handle from deck.

The first set of holes near the bottom of the upper handle tube allows for maximum handle length. Using the top mounting position will shorten handle length

- ◆ Remove the upper-handle attachment knobs (5) and bolt (5a) from the upper handle.
- ◆ Line up the holes on the bottom of the upper handle (3) with the holes on the top of the lower handle (4).
- ◆ From the outside of the upper handle (3), slide the bolt through the holes.
- ◆ Rotate the upper handle into its operating position.
- ◆ Tighten the upper handle attachment knobs (5).

### Securing the motor cable (fig. I)

**Warning!** Attach cable so that it does not become stretched or pinched in the joints of the handles during use or folding. This can cause damage to the cord.

The motor cable has to be fixed to the handles using the cable restraints that are already attached to the handle.

To clip the cable to the handle:

- ◆ Place the handles in operating position, see "Attaching lower handle" section.
- ◆ Run the cable up the front of the lower and upper handles.
- ◆ Pull back the cable restraint.
- ◆ Slide the motor cable under the clip and ensure it is fully held in place by the restraint.

### Mulching

**Warning!** Remove key and Battery packs before removing Side discharge attachment and Collection bag, and when installing mulching insert.

- ◆ Ensure the side discharge attachment and the collection bag are not attached.
- ◆ Lift the rear door cover (9) and slide the mulching insert fully into the mower
- ◆ Ensure the rear door cover fully closes before turning mower on.

### Operation

Read this instruction manual before operating your mower.

See "Features" to familiarize yourself with the location of various controls and adjustments. Save this manual for future reference.

**Warning!** Let the mower work at its own pace. Do not overload.

**Warning!** Sharp moving blade. Do not operate the mower in side discharge or mulching mode if the rear door is not closed under spring tension as serious injury could result. Take your mower to the nearest service center for repair.

### Adjusting mower height

The height of cut is adjusted by the cut height adjust lever.

**Note:** If you are not sure which height to cut, begin mowing with the height adjustment lever (7) in the right position.

Adjust the height down as needed.

### Fitting the grass collection bag (fig. F, G)

- ◆ Lift the rear door cover (9) as shown in figure (F).
- ◆ Place the grass collection bag (8) onto the mower so the bag hooks (8a) rest on the lugs (8b) as shown in figure (G). Then lower the rear door.

### Starting mower (fig. H)

**Warning!** Sharp moving blade. Never attempt to override the operation of this switch box as serious injury could result.

**Note:** Mower is operational when battery or batteries are installed.

- ◆ Your mower is equipped with a special on-off switch box. To operate the mower, push the button (1a) on the switch box (1), then pull the bail handle (2) to the handlebar as shown in figure H. Once the mower starts you can release the button.
- ◆ To turn the mower off, just release the bail handle.

**Warning!** Never attempt to lock a switch or bail handle (2) in the on position.

**Note:** Once the bail handle has returned to the original position it will activate the "Automatic Braking Mechanism". The motor is electrically braked and the mower blade will stop rotating in 3 seconds or less.

### Mower overload

To prevent damage due to overload conditions, do not try to remove too much grass at one time. Slow down your cutting pace, or raise the cut height.

### Storage

**Warning!** Rotating blade can cause serious injury.

Release bail handle (2) to turn mower off, remove battery before lifting, transporting, or storing the mower. Store in a dry place.

**Warning!** To avoid being pinched, keep fingers away from area between handles when folding down handles.

**Warning!** Make sure cord does not become stretched or pinched in the joints of the handles during folding. This can cause damage to the cord.

The handle of the mower can be easily folded down for quick and convenient storage.

### Carrying the mower

- ◆ The mower can be carried using the convenient carry handles (10). **DO NOT** attempt to lift the mower by grasping the upper handle (3) or lower handle (4).

### Mowing tips

**Warning!** Always inspect area where mower is to be used and remove all stones, sticks, wire, bones, and other debris which might be thrown by the rotating blade.

**Warning!** Mow across the face of slopes, never up-and-down. Exercise extreme caution when changing direction on slopes. Do not mow excessively steep slopes. Always maintain good footing.

- ◆ Release bail handle to turn mower "Off" when crossing any gravel area (stones can be thrown by the blade).
- ◆ Set mower at highest cutting height when mowing in rough ground or in tall weeds. Removing too much grass at one time can cause the motor to be overloaded and to stop. Refer to troubleshooting guide.
- ◆ If a grass collection bag (8) is used during the fast growing season, the grass may tend to clog up at the discharge opening. Release bail handle to turn mower off and remove the safety key. Remove the catcher and shake the grass down to the back end of the bag. Also clean out any grass or debris which may be packed around the discharge opening. Replace the grass catcher.
- ◆ If mower should start to vibrate abnormally, release bail handle to turn mower off and remove safety key. Check immediately for cause. Vibration is a warning of trouble. Do not operate mower until a service check has been made. Refer to troubleshooting guide in manual.
- ◆ Always release bail handle to turn mower off when leaving it unattended even for a short period of time.

### Tips for optimum performance

- ◆ Slow down in areas where the grass is especially long or thick.
- ◆ Avoid mowing when the grass is wet from rain or dew-soaked.
- ◆ Cut your lawn frequently, especially during high growth periods.

**Note:** It is recommended that your mower be recharged after use to prolong the battery life.

Frequent charging will not harm your battery, and will ensure that the battery is fully charged and ready for its next use. Storing battery not fully charged will shorten battery life.

### Removing and installing blade

**Warning!** When reassembling the blade system, ensure each part is reinstalled correctly, as described below.

Improper assembly of the blade or other parts of the blade system may cause serious injury.

**Warning!** Release bail handle to turn mower off, wait for the blade to stop, and unplug mower.

- ◆ Cut a piece of 2x4 wood (14) (about 610 mm) to keep blade from turning while removing bolt (13).
- ◆ Wear gloves and proper eye protection.
- ◆ Turn the mower on its side. Be careful of sharp edges of blade. Position wood and unscrew bolt with 13mm wrench

(36) as shown in figure I.

- ◆ Note the orientation of each part as you remove it. Remove bolt (15) and washer (16). Pull off blade (17) as shown in Figure J. Examine all pieces for damage and replace if necessary.
- ◆ The blade can only be attached to the fan (20) in one direction. To reassemble, line up the D-shaped hole of the blade with the D-shaped post of the fan, ensuring the writing on the blade faces out away from the mower.
- ◆ To tighten, position the piece of wood as shown in Figure K to keep the blade from turning. Slide the bolt through the washer and tighten the bolt clockwise into place with a 13mm wrench (13) as shown in Figure K.

### Blade sharpening

Keep blade sharp for best mower performance. A dull blade does not cut grass cleanly. Use proper eye protection while removing, sharpening, and installing blade. Ensure that safety key and battery pack is removed.

Sharpening the blade twice during a mowing season is usually sufficient under normal circumstances.

Sand causes the blade to dull quickly. If your lawn has sandy soil, more frequent sharpening may be required.

**Note:** Replace bent or damaged blade immediately.

When sharpening the blade:

- ◆ Make sure blade remains balanced.
- ◆ Sharpen blade at the original cutting angle.
- ◆ Sharpen cutting edges on both ends of blade, removing equal amounts of material from both ends.

### To sharpen blade in a vice (fig. L)

- ◆ Be sure the bail handle is released, the blade has stopped and the mower is unplugged before removing the blade.
- ◆ Remove blade from mower. See instructions for removing and installing blade.
- ◆ Secure blade (17) in a vice.
- ◆ Wear proper eye protection and gloves and be careful not to cut yourself.

Carefully file the cutting edges of the blade with a fine tooth file or sharpening stone, maintaining the angle of the original cutting edge.

Check balance of blade. See instructions for blade balancing.

- ◆ Replace blade on mower and tighten securely.

### Blade balancing

Check balance of the blade (17) by placing centre hole in the blade over a nail or round shank screwdriver, clamped horizontally in a vice. If either end of the blade rotates downward, file along the sharp edge of that dropping end. Blade is properly balanced when neither end drops.

### Lubrication

No lubrication is necessary. Do not oil the wheels. They have plastic bearing surfaces which require no lubrication.

### Cleaning

Release bail handle (2) to turn mower off, let the blade come to a stop. Use only mild soap and a damp cloth to clean the mower. Clean out any clippings which may have accumulated on the underside of the deck. After several uses, check all exposed fasteners for tightness.

### Preventing corrosion

Fertilizers and other garden chemicals contain agents which greatly accelerate the corrosion of metals. If you mow in areas where fertilizers or chemicals have been used, the mower should be cleaned immediately afterward as follows: Release bail handle (2) to turn mower off and unplug mower. Wipe all exposed parts with a damp cloth.

### Maintenance

Your BLACK+DECKER corded/cordless appliance/tool has been designed to operate over a long period of time with a minimum of maintenance. Continuous satisfactory operation depends upon proper tool/appliance care and regular cleaning.

**Warning!** Before performing any maintenance on corded/cordless power tools:

- ◆ Switch off and unplug the appliance/tool.
- ◆ Or run the battery down completely if it is integral and then switch off.
- ◆ Unplug the charger before cleaning it. Your charger does not require any maintenance apart from regular cleaning.
- ◆ Regularly clean the ventilation slots in your tool/appliance and charger using a soft brush or dry cloth.
- ◆ Regularly clean the motor housing using a damp cloth. Do not use any abrasive or solvent-based cleaner.
- ◆ Regularly use a blunt scraper to remove grass and dirt from the underneath of the guard.

### Troubleshooting

If your appliance seems not to operate properly, follow the instructions below.

If this does not solve the problem, please contact your local BLACK+DECKER repair agent.

**Warning!** Before proceeding, release the bail bar to turn mower off and wait for the blade to stop .

Problem	Possible solution
<b>Mower doesn't run when bail handle is activated.</b>	Check to make sure mower is properly plugged in and that the button on switch box is being completely depressed before pulling the bail handle.
	Release bail handle to turn mower off. Remove battery pack, turn mower over and check that blade is free to turn.
	Check that the battery cavity is free of debris and is connected properly.
	Has battery been fully charged? Press state of charge button.
<b>Motor stops while mowing.</b>	Release bail handle to turn mower off. Remove battery pack Turn mower over and check that blade is free to turn.
	Raise cutting height of wheels to highest position and start mower.
	Check that the battery cavity is free of debris and is connected properly
	Has battery been fully charged? Press state of charge button
<b>Mower runs but cutting performance is unsatisfactory,</b>	Avoid overloading the mower. Slow down the cutting pace, or raise the cut height.
	Release bail handle to turn mower off. Unplug mower. Turn mower over and check: <ul style="list-style-type: none"> <li>◆ Blade for sharpness - Keep blade sharp.</li> <li>◆ Deck and discharge chute for clogging.</li> </ul>
<b>Mower is too hard to push.</b>	Wheel height adjustment may be set too low for grass condition. Raise cutting height.
	Release bail handle to turn mower off. Unplug mower. Raise cutting height to reduce deck drag on grass. Check each wheel for free rotation
<b>Mower is abnormally noisy and vibrates.</b>	Release bail handle to turn mower off. remove battery pack. Turn mower on side and check blade to ensure it has not been bent or damaged. If blade is damaged, replace with a BLACK+DECKER replacement blade. If the underside of the deck is damaged, return mower to a BLACK+DECKER Authorized service center.
	If there is no visible damage to the blade and the mower still vibrates: <ul style="list-style-type: none"> <li>◆ Release bail handle to turn mower off.</li> <li>◆ Remove battery pack.</li> <li>◆ Disassemble entire blade assembly as described in the "Removing and installing blade" section.</li> <li>◆ Remove any debris and clean each piece.</li> <li>◆ Replace each piece as described in the "Removing and installing blade" section.</li> </ul>
	If mower still vibrates, return the mower to an authorized BLACK+DECKER authorized service center.
<b>Battery charger LEDs not on.</b>	Check plug connection.
	Replace charger.
<b>Mower not picking up clippings with bag.</b>	Chute clogged. Release bail handle to turn mower off. Remove battery pack. Clear chute of grass clippings.
	Raise cutting height of wheels to shorten length of the cut.
	Bag full. Empty bag more often.

**Protecting the environment**



Separate collection. Products and batteries marked with this symbol must not be disposed of with normal household waste.

Products and batteries contain materials that can be recovered or recycled, reducing demand for raw materials. Please recycle electrical products and batteries according to local provisions. Further information is available at [www.2helpU.com](http://www.2helpU.com)

**Technical data**

		BCM3318	BCM3336
<b>Voltage</b>	Vdc	18V	36V
<b>No-Load Speed</b>	min <sup>-1</sup>	3800RPM	3800RPM
<b>Weight</b>	kg	15	15
<b>Blade length</b>	mm	31	31

Batteries				Chargers (minutes)					
Cat#	Vdc	Ah	Weight Kg	Cat#	90590287*	N517388*	BDC1A	BDC2A	BDC2A36
				Amps	400mA	1A	1A	2A	1.35A
BL1518	18	1.5	0.38	BL1518	225	90	90	45	X
BL1518ST	18	1.5	0.38	BL1518ST	225	90	90	45	X
BL2018	18	2.0	0.39	BL2018	300	120	120	60	X
BL2018ST	18	2.0	0.39	BL2018ST	300	120	120	60	X
BL2518	18	2.5	0.43	BL2518	380	150	150	75	X
BL4018	18	4.0	0.64	BL4018	600	240	240	120	X
BL5018	18	5.0	0.7	BL5018	750	300	300	135	X
BL20362	36	2.0	0.64	BL20362	X	X	X	X	90
BL2536	36	2.5	0.68	BL2536	X	X	X	X	110
BL1554	1554	1.5	1.58	BL1554	225	90	90	45	X
BL2554	1554	2.5	1.2	BL2554	380	150	150	75	X

Hand/arm weighted vibration value:  
= <2.5 m/s<sup>2</sup>, uncertainty (K) = 1.5m/s<sup>2</sup>.

L<sub>WA</sub> (sound pressure) 74.5 dB(A)  
uncertainty (K) = 2.5 dB(A)  
L<sub>WA</sub> (sound power) 86 dB(A)  
uncertainty (K) = 1.5 dB(A)

**EC declaration of conformity**  
**MACHINERY DIRECTIVE**  
**OUTDOOR NOISE DIRECTIVE**



BCM3318, BCM3336 lawn mower

Black & Decker declares that these products described under "technical data" are in compliance with: 2006/42/EC, EN 60335-1:2012 + A11:2014, EN 60335-2-77:2010

2000/14/EC, Lawn Mower, L < 50cm, Annex VI, DEKRA Certification B.V. Meander 1051 / P.O. Box 5185 6825 MJ ARNHEM / 6802 ED ARNHEM, Netherlands  
Notified Body ID No.: 0344

Level of acoustic power according to 2000/14/EC (Article 12,

Annex III, L < 50cm):

$L_{w}$  (measured sound power) 86 dB(A)

uncertainty (K) = 1.5 dB(A)

$L_{m}$  (guaranteed sound power) 96 dB(A)

These products also comply with directive 2014/30/EU, 2011/65/EU. For more information, please contact Black & Decker at the following address or refer to the back of the manual.

The undersigned is responsible for compilation of the technical file and makes this declaration on behalf of Black & Decker.



Becky Cotsworth  
Director – Outdoor Products Group  
Black & Decker Europe, 270 Bath Road, Slough,  
Berkshire, SL1 4DX  
United Kingdom

## Guarantee

Black & Decker is confident of the quality of its products and offers consumers a 24 month guarantee from the date of purchase. This guarantee<sup>75</sup> is in addition to and in no way prejudices your statutory rights. The guarantee is valid within the territories of the Member States of the European Union and the European Free Trade Area.

To claim on the guarantee, the claim must be in accordance with Black&Decker Terms and Conditions and you will need to submit proof of purchase to the seller or an authorised repair agent. Terms and conditions of the Black&Decker 2 year guarantee and the location of your nearest authorised repair agent can be obtained on the Internet at [www.2helpU.com](http://www.2helpU.com), or by contacting your local Black & Decker office at the address indicated in this manual.

Please visit our website [www.blackanddecker.co.uk](http://www.blackanddecker.co.uk) to register your new Black & Decker product and receive updates on new products and special offers.

**Назначение**

Колесные газонокосилки BLACK+DECKER BCMW3318 и BCMW3336 предназначены для покоса травы. Данные инструменты предназначены только для бытового использования.

**Правила техники безопасности**

**Внимание!** Для снижения риска возникновения пожара, поражения электрическим током, получения травм и материального ущерба при использовании инструментов с питанием от аккумуляторной батареи нужно обязательно соблюдать основные меры предосторожности, включая следующее.

**Внимание!** При использовании инструмента обязательно соблюдайте правила техники безопасности. Для Вашей собственной безопасности и безопасности окружающих прочитайте данное руководство, прежде чем приступить к работе с инструментом. Сохраните руководство для дальнейшего использования.

- ◆ Прежде чем приступить к работе с инструментом, внимательно прочтите настоящее руководство.
- ◆ В данном руководстве описано предусмотренное применение. Использование каких-либо принадлежностей или насадок, а также выполнение каких-либо операций, отличных от рекомендованных в данном руководстве, может привести к травмам.
- ◆ Сохраните данное руководство для справки в будущем.

**Использование инструмента**

Сохраняйте бдительность при использовании инструмента.

- ◆ Данный инструмент не предназначен для использования несовершеннолетними или лицами с ограниченными возможностями, если они не находятся под присмотром.
- ◆ Инструмент не предназначен для игр.
- ◆ Не позволяйте детям или животным находиться поблизости от места выполнения работ или прикасаться к кабелю питания.
- ◆ При работе рядом с детьми необходимо особое внимание.
- ◆ Использовать только в сухом месте. Не допускайте попадания влаги в инструмент. Не погружайте инструмент в воду.
- ◆ Запрещается вскрывать корпус. Внутри нет деталей для обслуживания пользователем.
- ◆ Не используйте инструмент во взрывоопасной среде, например, при наличии горючих жидкостей, газов или пыли.
- ◆ Для снижения риска повреждения вилки и кабеля не тяните за кабель, отсоединяя инструмент от розетки.
- ◆ Перед эксплуатацией выполняйте визуальный осмотр ножей, болтов крепления ножей и режущего узла на предмет износа и повреждений. Заменяйте изношенные или поврежденные ножи и болты



комплект, чтобы сохранять надлежащий баланс.

- ◆ Чтобы избежать опасности из-за неумышленного сброса термовыключателя, запрещается подключать данный инструмент через внешние переключающие устройства, такие как таймеры, а также подключать его к цепи, которая регулярно включается и выключается с помощью дополнительных устройств.
- ◆ Не используйте инструмент, если рядом присутствуют посторонние, особенно дети, или домашние животные.
- ◆ Учитывайте, что оператор или пользователь несет ответственность за несчастные случаи или опасности, создаваемые другим лицам или их собственности.

### **Перед началом эксплуатации**

- ◆ При эксплуатации машины всегда носите толстую обувь и длинные брюки. Запрещается эксплуатировать машину босиком или в открытых сандалиях. Не одевайте свободную одежду или одежду, с которой свисают шнуры или ремни.
- ◆ Тщательно осмотрите место, где будет эксплуатироваться машина и уберите все объекты и предметы, которые могут отлететь от машины.
- ◆ Перед эксплуатацией выполняйте визуальный осмотр ножа, болта крепления ножа и режущего узла на предмет износа и повреждений.

Заменяйте изношенные или поврежденные детали комплект, чтобы сохранять надлежащий баланс. Заменяйте потертые и нечитаемые этикетки.

### **После использования**

- ◆ Если инструмент не используется, его нужно хранить в сухом, хорошо вентилируемом помещении вне досягаемости детей.
- ◆ Дети не должны иметь доступа к помещенным на хранение инструментам.
- ◆ Если инструмент хранится или транспортируется в транспортном средстве, его нужно поместить в багажник или закрепить во избежание перемещения в результате резкого изменения скорости или направления движения.

### **Проверка и ремонт**

- ◆ Перед началом использования, проверьте инструмент на наличие поврежденных или неисправных деталей. Проверьте наличие сломанных деталей, поврежденных переключателей, а также прочих условий, способных повлиять на его работу.
- ◆ Не используйте инструмент, если какая-либо его деталь повреждена или неисправна.
- ◆ Поврежденные или неисправные детали должен исправить или заменить уполномоченный

специалист по ремонту.

- ◆ Не пытайтесь снимать или заменять какие-либо компоненты, отличные от указанных в данном руководстве.
- ◆ Будьте осторожны при настройке газонокосилки. Не допускайте попадания пальцев между движущимися ножами/частями и неподвижными частями машины.
- ◆ При обслуживании ножей следует помнить, что, несмотря на то, что источник питания выключен, ножи остаются подвижными.

### **Дополнительные инструкции по технике безопасности для колесных газонокосилок**

- ◆ Не перевозите инструмент, подключенный к источнику питания
- ◆ Плотно удерживайте рукоятки обеими руками при работе с колесной газонокосилкой.
- ◆ Если вы посчитаете, что колесную газонокосилку необходимо наклонить, удерживайте обе руки в рабочем положении и плотно держите рукоятку. Удерживайте обе руки в рабочем положении, пока колесная газонокосилка не вернется в горизонтальное положение.
- ◆ Запрещается носить радиоприемник и наушники по время эксплуатации колесной газонокосилки.
- ◆ Запрещается регулировать высоту колес во время работы двигателя или когда ключ безопасности находится в замке.
- ◆ Если колесная газонокосилка глохнет, отпустите скобу управления для отключения газонокосилки, затем дождитесь остановки ножей перед тем как попытаться устранить затор.
- ◆ Держите руки подальше от зоны резки.
- ◆ Следите за остротой заточки ножа. Всегда используйте защитные перчатки при работе с ножами газонокосилки.
- ◆ Если вы используете травосборник, регулярно проверяйте его на предмет износа и повреждений. В случае обнаружения признаков износа, травосборник следует заменить из соображений безопасности.
- ◆ Соблюдайте особую осторожность при перемещении колесной газонокосилки назад/на себя.
- ◆ Не кладите руки и ноги под колесную газонокосилку. Содержите отверстие выброса чистым.
- ◆ Очистите область эксплуатации колесной газонокосилки от посторонних предметов, таких как камни, палки, провода, игрушки, кости и т. д., которые могут быть выброшены ножом. Предметы, попавшие под нож, могут привести к тяжелым травмам. Во время работы электродвигателя вы должны находиться за рукояткой.
- ◆ Запрещается эксплуатировать колесную газонокосилку босиком или в открытых сандалиях.

Надевайте прочную обувь.

- ◆ Не тяните колесную газонокосилку назад, если этого можно избежать. Перед тем как переместиться назад, проверьте, нет ли сзади помех.
- ◆ Не направляйте выбрасываемые материалы на людей. Не направляйте выбрасываемый материал на стены и прочие предметы. Они могут отлететь обратно в оператора. Отпускайте скобу управления для отключения колесной газонокосилки и дожидаетесь остановки ножа перед тем как пройти по области с гравием.
- ◆ Эксплуатация колесной газонокосилки со снятыми компонентами, такими как травосборник, травы, задняя крышка и т. п., запрещена. Время от времени проверяйте средства обеспечения безопасности и защитные устройства, убеждайтесь, что они находятся в исправном состоянии и способны выполнять свою предназначенную функцию. Перед тем как продолжить эксплуатацию необходимо заменить поврежденные средства обеспечения безопасности.
- ◆ Не оставляйте работающую колесную газонокосилку без присмотра.
- ◆ Перед тем как очищать колесную газонокосилку, опустошать травосборник, очищать желоб для выброса травы, отойти от газонокосилки или выполнить какие-либо регулировки и проверки, отпустите скобу управления и дождитесь полной остановки двигателя.
- ◆ Эксплуатируйте колесную газонокосилку только при дневном свете или при хорошем искусственном освещении, когда объекты на пути лезвия газонокосилки хорошо видны.
- ◆ Не работайте колесной газонокосилкой, если вы устали, находитесь в состоянии наркотического, алкогольного опьянения или под воздействием лекарственных препаратов. Сохраняйте бдительность, следите за своими действиями и пользуйтесь здравым смыслом.
- ◆ Избегайте опасных зон. Эксплуатация колесной газонокосилки на влажной траве и во время дождя запрещена. Всегда сохраняйте устойчивое положение, не бегайте.
- ◆ В случае обнаружения нестандартной вибрации немедленно отпустите скобу управления, дождитесь полной остановки ножа и выявите причину неисправности. Обычно вибрации являются признаком неисправности. Обратитесь к разделу поиска и устранения неисправностей.
- ◆ При работе колесной газонокосилкой носите надлежащие средства защиты глаз и органов

дыхания.

- ◆ Использование любых принадлежностей и приспособлений не рекомендуется с данной колесной газонокосилкой и может быть опасным. Используйте только принадлежности, утвержденные компанией BLACK+DECKER.
- ◆ Не пытайтесь дотянуться колесной газонокосилкой до слишком удаленных поверхностей. Во время эксплуатации колесной газонокосилки старайтесь сохранять устойчивое положение и равновесие.
- ◆ Работайте вдоль поверхности уклона, а не вверх и вниз. Соблюдайте особую осторожность, изменяя направление движения на склоне.
- ◆ Остерегайтесь ям, рытвин, неровностей, камней и прочих опасных объектов. Неровный рельеф местности может привести к падению. В высокой траве могут скрываться препятствия.
- ◆ Запрещается косить мокрую траву и работать колесной газонокосилкой на слишком отвесных склонах. Неустойчивое положение тела может привести к падению.
- ◆ Не используйте колесную газонокосилку вблизи обрывов, канав или насыпей. Вы можете потерять устойчивость или равновесие.
- ◆ Перед тем, как убрать колесную

газонокосилку на хранение, позвольте ей остыть.

Выньте штекер из розетки и извлеките аккумуляторную батарею из инструмента. Убедитесь, что все движущиеся части полностью остановились:

- ◆ Перед тем как оставить инструмент;
- ◆ Перед тем как удалить затор;
- ◆ Перед тем как проверить, очистить или работать с инструментом.

### **Безопасность окружающих**

- ◆ Данный инструмент не предназначен для использования лицами (включая детей) с ограниченными физическими, сенсорными или ментальными возможностями, а также лицами без достаточного опыта и знаний, если только они не делают этого под руководством лица имеющего соответствующий опыт и отвечающего за их безопасность.
- ◆ Не позволяйте детям играть с данным инструментом.
- ◆ После удара об инородный предмет. Проверьте инструмент на предмет повреждений и выполните необходимый ремонт;

### **Остаточные риски.**

При работе данным инструментом возможно возникновение дополнительных остаточных рисков, которые не вошли в описанные здесь правила техники безопасности. Эти риски могут возникнуть при

неправильном или продолжительном использовании изделия и т. п. Несмотря на соблюдение соответствующих инструкций по технике безопасности и использование предохранительных устройств, некоторые остаточные риски невозможно полностью исключить. К ним относятся:

- ◆ Травмы в результате касания вращающихся/движущихся частей.
- ◆ Травмы, которые могут произойти в результате смены деталей, лезвий или дополнительных принадлежностей.
- ◆ Травмы, связанные с продолжительным использованием инструмента. При использовании любого инструмента в течение продолжительного периода времени, не забывайте делать перерывы.
- ◆ Ухудшение слуха.
- ◆ Ущерб здоровью в результате вдыхания пыли в процессе работы инструментом (например, при обработке древесины, в особенности, дуба, бука и ДВП)
- ◆ В случае необходимости эксплуатации газонокосилки в сыром месте, используйте устройство остаточного тока (RCD) с током отключения не более 30 мА. Использование УЗО сокращает риск поражения электрическим током.
- ◆ Запрещается поднимать и переносить инструмент, когда двигатель работает.

## Предупреждающие знаки

Помимо кода даты на инструменте имеются следующие предупреждающие символы:



**Внимание!** Прочтите руководство по эксплуатации перед работой с инструментом.



Не подвергайте инструмент воздействию дождя или высокой влажности.



**Остерегайтесь острых ножей.** Ножи продолжают вращаться после выключения электродвигателя - Перед выполнением обслуживания или в случае повреждения провода снимите отключающее устройство.



Остерегайтесь летящих предметов. Не допускайте присутствия посторонних лиц в области кошения.



Используйте защитные очки



Ножи продолжают вращаться после выключения инструмента.



Гарантированная акустическая мощность в соответствии с Директивой 2000/14/ЕС.

## Дополнительные инструкции по технике безопасности для аккумуляторных батарей и зарядных устройств

### Аккумуляторные батареи

- ◆ Никогда не пытайтесь разобрать аккумуляторные батареи.
- ◆ Не подвергайте аккумуляторные батареи воздействию воды.
- ◆ Не подвергайте аккумуляторные батареи воздействию тепла.
- ◆ Не оставляйте в местах, где температура превышает 40 °С.
- ◆ Заряжайте только при температуре 10 °С–40 °С.
- ◆ Выполняйте зарядку только с помощью зарядного устройства, поставляемого с прибором/инструментом. Использование несоответствующего зарядного устройства может привести к поражению электрическим током или перегреву аккумуляторной батареи.
- ◆ При утилизации батарей следуйте инструкциям, указанным в разделе «Защита окружающей среды».
- ◆ Избегайте повреждений/деформации аккумуляторного блока в результате разрыва или удара. Это представляет риск получения травм и возникновения пожара.
- ◆ Не заряжайте поврежденные аккумуляторные батареи.
- ◆ В экстремальных случаях может произойти разгерметизация

батарей. При обнаружении протечки аккумуляторной батареи, тщательно удалите жидкость с помощью ткани. Избегайте контакта с кожей.

- ◆ При контакте с кожей или глазами следуйте приведенным ниже инструкциям.

**Внимание!** Электролит аккумуляторной батареи может привести к травмам или материальному ущербу. При попадании на кожу немедленно промойте пораженный участок водой. При появлении покраснения, боли или раздражения обратитесь за медицинской помощью. При попадании в глаза промойте большим количеством проточной воды и обратитесь за медицинской помощью.



Не пытайтесь заряжать поврежденные аккумуляторные батареи

### Зарядное устройство

Зарядное устройство предназначено для работы с определенным напряжением.

Необходимо обязательно убедиться в том, что напряжение источника питания соответствует указанному на паспортной табличке устройства.

**Внимание!** Никогда не пытайтесь заменить зарядное устройство на обычную сетевую вилку.

- ◆ Используйте свое зарядное устройство Black & Decker только для зарядки аккумулятора прибора/инструмента, с которым оно



поставлялось. Использование аккумуляторных батарей другого типа может привести к взрыву, травмам и повреждениям.

- ◆ Не пытайтесь заряжать одноразовые батареи.
- ◆ Если поврежден кабель питания, его нужно заменить у производителя или в официальном сервисном центре Black & Decker, чтобы избежать рисков.
- ◆ Не подвергайте зарядное устройство воздействию воды.
- ◆ Не вскрывайте зарядное устройство.
- ◆ Не разбирайте зарядное устройство.
- ◆ Во время зарядки прибор/инструмент/аккумулятор нужно оставить в хорошо проветриваемом помещении.



Зарядное устройство можно использовать только в помещении.



Перед началом работы прочтите руководство по эксплуатации.

## Электробезопасность



Ваше зарядное устройство имеет двойную изоляцию, поэтому не требует заземления. Необходимо обязательно убедиться в том, что напряжение источника питания соответствует указанному на паспортной табличке устройства.

Никогда не пытайтесь заменить зарядное устройство на обычную сетевую вилку.

- ◆ Если поврежден кабель питания, его нужно заменить у производителя или в официальном сервисном центре Black & Decker, чтобы избежать рисков.

### Составные части

Ваш инструмент может содержать все или некоторые из перечисленных ниже составных частей.

1. Блок переключателей
2. Скоба управления
3. Верхняя рукоятка
4. Нижняя рукоятка
5. Установочные ручки верхней рукоятки (2)
6. Установочный разъем нижней рукоятки (2)
7. Рычаг регулировки высоты кошения
8. Травосборник
9. Задняя дверца
10. Ручки для переноски

### Процесс зарядки

Зарядные устройства BLACK+DECKER предназначены для зарядки аккумуляторных батарей BLACK+DECKER.

- ◆ Перед установкой батареи, подключите зарядное устройство к соответствующей розетке.
- ◆ Вставьте батарею в зарядное устройство.



Зеленый светодиод начнет мигать, что означает начало зарядки батареи



По окончании зарядки, зеленый светодиод начнет гореть непрерывно. Теперь батарея полностью заряжена, и ее можно использовать или оставить в зарядном устройстве

**Внимание!** Заряжайте разряженные аккумуляторные батареи сразу же после использования, в противном случае вы значительно сократите срок службы аккумуляторных батарей.

### Диагностика зарядного устройства

Это зарядное устройство может диагностировать некоторые проблемы аккумуляторных батарей или источника питания. При обнаружении проблем начинает мигать светодиодный индикатор.

### Неисправная аккумуляторная батарея



Зарядное устройство может указать на неисправность аккумуляторной батареи. Красный светодиодный индикатор начнет мигать, как указано на маркировке. Если вы увидите, что индикатор

мигает как указано на маркировке, прекратите зарядку аккумуляторной батареи.

Отнесите неисправную аккумуляторную батарею в сервисный центр или в специализированный центр для утилизации

### Температурнаязадержка



При слишком низкой или слишком высокой температуре аккумуляторной батареи зарядное устройство автоматически переходит в режим температурной задержки. При этом зарядка не начинается, пока температура аккумуляторной батареи не нормализуется.

После того, как аккумуляторная батарея приобретет нормальную температуру, автоматически включается режим зарядки. Данная функция обеспечивает максимальный срок эксплуатации аккумуляторной батареи. В режиме температурной задержки начинается мигать красный индикатор, как указано на маркировке

### Важные замечания по зарядке

- ◆ Максимального срока службы и наилучшей эффективности можно достичь, если аккумуляторная батарея заряжается при температуре 16° - 27 °С.
- ◆ НЕ ЗАРЯЖАЙТЕ аккумуляторную батарею при температуре ниже +4,5 °С или выше +40,5 °С. Это очень важно и позволит избежать серьезных повреждений аккумуляторной батареи.
- ◆ При зарядке зарядное устройство и аккумуляторные батареи могут нагреваться. Это нормальное явление, которое не является неисправностью. Чтобы охладить аккумуляторные батареи после использования не оставляйте зарядное устройство и аккумуляторные батареи в теплом месте, например железном ангаре или неизолированном трейлере.
- ◆ Если батарея не заряжается:
  - ◆ Проверьте исправность розетки, включив в нее лампу или другое устройство
  - ◆ Проверьте, не подключена ли розетка к устройству, которое выключает питание, когда вы выключаете свет.
  - ◆ Перенесите зарядное устройство и аккумуляторную батарею в место, где температура не превышает 16° - 27 °С.
  - ◆ Если проблемы с зарядкой сохраняются, отнесите устройство и аккумуляторные батареи в местный сервисный центр.
- ◆ Данную аккумуляторную батарею необходимо перезаряжать, когда она перестает обеспечивать питание, необходимое для выполнения работ, которые ранее выполнялись без каких-либо проблем. ПРЕКРАТИТЕ ИСПОЛЬЗОВАНИЕ аккумуляторных

батарей в этих случаях. Соблюдайте правила зарядки аккумуляторной батареи. Без большого ущерба аккумуляторным батареям можно использовать частично использованные аккумуляторные батареи.

- ◆ Не допускайте попадания в полости зарядного устройства таких токопроводящих материалов, как стальная стружка, алюминиевая фольга или другие металлические частицы и т. п. Всегда отключайте зарядное устройство от источника питания, если в нем нет аккумуляторной батареи. Всегда отключайте зарядное устройство от сети перед тем, как приступить к очистке устройства.
- ◆ Не замораживайте зарядное устройство и не погружайте его в воду или другие жидкости.

**Внимание!** Не допускайте попадания жидкости в зарядное устройство.

**НИ ПРИ КАКИХ ОБСТОЯТЕЛЬСТВАХ НЕ РАЗБИРАЙТЕ АККУМУЛЯТОР. ЕСЛИ ПЛАСТИКОВЫЙ КОРПУС АККУМУЛЯТОРНОЙ БАТАРЕИ ПОТРЕСКАЛСЯ, ОБРАТИТЕСЬ В ЦЕНТР СЕРВИСНОГО ОБСЛУЖИВАНИЯ ДЛЯ УТИЛИЗАЦИИ БАТАРЕИ.**

### Индикатор состояния заряда

На аккумуляторной батарее есть индикатор заряда. Его можно использовать для отображения текущего уровня заряда аккумулятора во время работы и во время зарядки. Он не показывает работоспособность инструмента, и его показания могут меняться в зависимости от компонентов продукта, температуры и сфер применения.

### Проверка уровня заряда:

- ◆ Нажмите на кнопку индикатора заряда (12a).
- ◆ Загорятся три светодиода (12b), которые покажут состояние заряда батареи в процентах. См. таблицы на Рис. В.
- ◆ Если светодиод не загорается, зарядите батарею.

### Установка батареи (Рис. С, С1)

- ◆ Поднимите крышу разъема аккумуляторной батареи (14), чтобы получить доступ к разъему аккумуляторной батареи.
  - ◆ Полностью вставьте аккумуляторную батарею (12) в разъем аккумуляторной батареи до слышимого щелчка (Рис. С).
- Убедитесь в том, что аккумуляторная батарея правильно и плотно установлена. Модель ВСМW3318 оборудована двумя разъемами аккумуляторной батареи, как показано на Рисунке С1.
- ◆ Закройте крышку разъема аккумуляторной батареи. Перед тем как запустить газонокосилку убедитесь, что крышка надежно закреплена.

**Извлечение аккумуляторной батареи:**

- ◆ Откройте крышку разъема аккумуляторной батареи ( 14 ) согласно приведенному выше порядку действий.
- ◆ Нажмите на опирающую кнопку батареи и извлеките аккумуляторную батарею из инструмента.

**Сборка**

**Внимание!** Перед выполнением сборки убедитесь, что скоба управления отпущена.

**Установка нижней рукоятки**

- ◆ Нажмите на кнопку (4а) на установочном разъеме нижней рукоятки (6) и вставьте нижнюю рукоятку (4). Настройте нужную высоту.

**Примечание!** Убедитесь, что обе стороны нижней рукоятки установлены на одном уровне.

**Установка верхней рукоятки (Рис. Н)**

Верхняя рукоятка имеет установочные отверстия для регулировки высоты рукоятки в двух различных положениях.

Первая пара отверстий, находящаяся в нижней части трубки верхней рукоятки, обеспечивает наибольшую высоту рукоятки. Использование верхних отверстий сократит высоту рукоятки

- ◆ Удалите установочные ручки верхней рукоятки (5) и болт (5а) из верхней рукоятки.
- ◆ Совместите отверстия в нижней части верхней рукоятки (3) с отверстиями в верхней части нижней рукоятки (4).
- ◆ Находясь с внешней стороны верхней рукоятки (3), вставьте болт в отверстия.
- ◆ Поверните верхнюю рукоятку в рабочее положение.
- ◆ Затяните установочные ручки верхней рукоятки (5).

**Закрепление кабеля электродвигателя (Рис. I)**

**Внимание:** Зафиксируйте кабель таким образом, чтобы он не растягивался и не зажимался в местах соединения рукояток во время эксплуатации и складывания. Это может привести к повреждению кабеля.

Кабель электродвигателя необходимо зафиксировать на рукоятках с помощью специально для этого предназначенных фиксаторов.

Для закрепления кабеля на рукоятке:

- ◆ Установите рукоятки в рабочее положение, см раздел «Установка нижней рукоятки».
- ◆ Пропустите кабель перед нижней и верхней рукоятками.
- ◆ Оттяните фиксатор кабеля.
- ◆ Пропустите кабель электродвигателя под фиксатором и убедитесь, что он надежно удерживается.

**Мульчирование**

**Внимание!** Извлеките ключ и аккумуляторные батареи перед тем как желоб боковой разгрузки и травосборник, а также перед установкой блока мульчирования.

- ◆ Убедитесь, что желоб боковой разгрузки и травосборник снят.
- ◆ Поднимите заднюю дверцу (9) и вставьте блок мульчирования в газонокосилку до упора
- ◆ Перед тем как включить газонокосилку убедитесь, что задняя дверца полностью закрыта.

**Эксплуатация**

Перед эксплуатацией косилки прочтите руководство по эксплуатации. См. расположение элементов управления и регулировок в разделе «Составные части». Сохраните настоящее руководство для использования в будущем.

**Внимание!** Газонокосилка должна работать в обычном режиме. Избегайте перегрузок.

**Внимание!** Острый движущийся нож. Запрещается эксплуатировать колесную газонокосилку в режиме боковой разгрузки или режиме мульчирования, если задняя дверца не зафиксирована надлежащим образом – это может привести к тяжелым травмам. Для ремонта газонокосилки обратитесь в ближайший сервисный центр.

**Регулировка высоты колесной газонокосилки**

Высота кошения настраивается путем регулирования рычага регулировки высоты.

**Примечание:** Если вы не уверены, какую выбрать высоту, начните скашивать траву, установив рычаг регулировки высоты (7) в правое положение. При необходимости снижайте высоту.

**Установка травосборника (Рис. F, G)**

- ◆ Поднимите заднюю дверцу (9), как показано на рисунке (F).
- ◆ Установите травосборник (8) в газонокосилку, установив крючки (8а) на зацепы (8b), как показано на рисунке (G). Опустите заднюю дверцу.

**Запуск газонокосилки (Рис. Н)**

**Внимание!** Острый движущийся нож. Не пытайтесь силой переключить выключатель – это приведет к травмам.

**Примечание:** Колесная газонокосилка работает только при установленной аккумуляторной батарее или батареям.

- ◆ Ваша колесная газонокосилка оборудована специальным блоком переключателей. Для включения газонокосилки нажмите кнопку (1а) на блоке переключателя (1), затем притяните скобу управления (2) к рукоятке, как показано на Рис. Н. Когда газонокосилка запустится, кнопку можно отпустить.

- ◆ Для остановки газонокосилки, отпустите скобу управления.

**Внимание!** Ни в коем случае не фиксируйте скобу управления (2) в положении включения.

**Примечание:** При возвращении скобы управления в исходное положение включится механизм автоматического останова. Электродвигатель останавливается электрически, а ножи останавливаются в течение 3 секунд или менее.

### Перегрузка газонокосилки

В целях предотвращения перегрузок не пытайтесь косить слишком большую траву сразу. Замедлите скорость скашивания или увеличьте высоту кошения.

### Хранение

**Внимание!** Вращающиеся ножи могут стать причиной тяжелых травм. Перед тем как поднять, переместить или оставить газонокосилку на хранение, необходимо отпустить скобу управления (2) для отключения газонокосилки и извлечь аккумуляторную батарею.

Храните в сухом месте.

**Внимание!** Складывая рукоятки, не кладите пальцы между ними, чтобы избежать защемления.

**Внимание!** Не растягивайте и не заземляйте кабель между рукоятками во время складывания. Это может привести к повреждению кабеля.

Для обеспечения удобства хранения газонокосилки ее рукоятки с легкостью складываются.

### Переноска газонокосилки

- ◆ Газонокосилку можно переносить за удобные ручки для переноски (10). **НЕ ПЫТАЙТЕСЬ** поднимать газонокосилку за верхнюю рукоятку (3) или нижнюю рукоятку (4).

### Советы по скашиванию травы

**Внимание!** Проверьте и очистите область эксплуатации газонокосилки от посторонних предметов, таких как камни, палки, провода, кости и т. д., которые могут быть выброшены ножом.

**Внимание!** Работайте вдоль поверхности уклона, а не вверх и вниз. Соблюдайте особую осторожность, изменяя направление движения на склоне. Не работайте на чрезмерно крутых уклонах. Сохраняйте устойчивость.

- ◆ Отпускайте скобу управления для выключения газонокосилки, пересекая участки с гравием (камешки могут быть выброшены ножом газонокосилки).
- ◆ Скашивая траву на неровной поверхности или скашивая высокую траву, установите газонокосилку в режим самого высокого скашивания. Скашивание слишком большого количества травы за раз может привести к перегрузке и остановке электродвигателя.

См. руководство по поиску и устранению неисправностей.

- ◆ В случае использования травосборника (8) в сезон быстрого роста травы, выпускное отверстие может засориться травой. Отпустите скобу управления для отключения газонокосилки и извлеките ключ безопасности. Снимите травосборник и встряхните или постучите по мешку, чтобы переместить траву в его заднюю часть. Также удалите траву и загрязнения, перекрывающие выпускное отверстие. Установите травосборник обратно на свое место.
- ◆ В случае обнаружения нестандартной вибрации газонокосилки, немедленно отпустите скобу управления, выключите косилку и извлеките ключ безопасности. Выявите причину неисправности. Вибрация является признаком неисправности. Не эксплуатируйте газонокосилку до тех пор, пока она не пройдет техническое обслуживание. См. раздел поиска и устранения неисправностей в руководстве пользователя.
- ◆ Отпускайте скобу управления и отключайте газонокосилку, когда оставляете ее без присмотра даже на небольшой промежуток времени.

### Советы по оптимальному использованию

- ◆ Замедлите ход газонокосилки на участках с особенно длинной или толстой травой.
- ◆ Не косите влажную от росы или мокрую после дождя траву.
- ◆ Косите газон часто, особенно в сезон быстрого роста.

**Примечание:** В целях увеличения срока службы аккумуляторных батарей их рекомендуется заряжать сразу после эксплуатации.

Частая зарядка аккумуляторных батарей не повредит им, а вы будете знать, что аккумуляторная батарея заряжена для следующего использования. Хранение не полностью заряженной аккумуляторной батареи приведет к сокращению срока службы батареи.

### Снятие и установка ножа

**Внимание!** При разборке и последующей сборке узла ножа убедитесь, что все детали установлено правильно, как описано ниже.

Неправильная сборка ножа и других составляющих узла ножа может привести к тяжелым травмам.

**Внимание!** Отпустите скобу управления для отключения газонокосилки, дождитесь полной остановки ножа и отключите косилку от источника электрического питания.

- ◆ Подготовьте деревянный брусок (14) (размером приблизительно 50x100 мм и длиной приблизительно 610 мм) для предотвращения вращения ножа при удалении болта (13).
- ◆ Используйте защитные перчатки и очки.

- ◆ Положите газонокосилку набок. Будьте осторожны, не порежьтесь об острые края ножа. Расположите брусок и открутите болт 13 мм гаечным ключом (36), как показано на Рис. I.
- ◆ Снимая каждую деталь, запоминайте место ее установки. Снимите болт (15) и шайбу (16). Снимите нож (17), как показано на Рис. J. Проверьте все составляющие на предмет повреждений и, в случае необходимости, замените их.
- ◆ Нож можно установить на крыльчатку (20) только в одном положении. Выполняя сборку, совместите D-образное отверстие ножа с D-образным выступом крыльчатки таким образом, чтобы надпись на ноже была направлена от газонокосилки.
- ◆ Для выполнения затяжки установите брусок, как показано на Рис. K, чтобы предотвратить проворачивание ножа. Наденьте шайбу на болт и затяните болт по часовой стрелке с помощью 13 мм гаечного ключа (13), как показано на Рис. K.

### Затачивание ножа

Для обеспечения наивысшей эффективности газонокосилки поддерживайте ножи острыми. Затупленный нож не скашивает траву ровно. Снимая, затачивая и устанавливая нож, используйте подходящие средства защиты глаз. Убедитесь, что ключ безопасности и аккумуляторная батарея извлечены.

В нормальных условиях эксплуатации достаточно затачивать нож не более двух раз за один сезон. Песок приводит к ускоренному затуплению ножа. Если на вашем газоне присутствует песок, может понадобиться более частое затачивание ножа.

**Примечание:** Немедленно заменяйте погнутые и поврежденные ножи.

При затачивании ножа:

- ◆ Сохраняйте балансировку ножа.
- ◆ Поддерживайте исходный угол режущей кромки.
- ◆ Затачивайте режущие кромки с обеих сторон ножа, стараясь удалить одинаковое количество материала.

### Затачивание ножа в тисках (Рис. L)

- ◆ Перед тем как снять нож убедитесь, что скоба управления отпущена, нож остановлен, а газонокосилка отключена от источника питания.
- ◆ Снимите нож с газонокосилки. См. инструкции по установке и снятию ножа.
- ◆ Зажмите нож (17) в тисках.
- ◆ Наденьте подходящие защитные очки и перчатки и соблюдайте осторожность, чтобы не порезаться. Аккуратно стачивайте режущие кромки ножа напильником или точильным камнем, сохраняя первичный угол режущей кромки. Проверьте балансировку ножа. См. инструкции проверки

балансировки ножа.

- ◆ Установите нож на газонокосилку и надежно затяните болт.

### Балансировка ножа

Для проверки балансировки ножа (17) установите центральное отверстие ножа на гвоздь или отвертку с круглым хвостовиком, зажатую в тиски. Если какая-либо сторона ножа опускается вниз, сточите небольшое количество материала с режущей кромки на этой стороне. При правильной балансировке нож выравнивается.

### Смазка

В смазке нет необходимости. Не смазывайте колеса. На них установлены подшипники с пластмассовой поверхностью, которые не нуждаются в смазке.

### Чистка

Отпустите скобу управления (2) для отключения газонокосилки и дождитесь остановки ножа. Для чистки корпуса газонокосилки используйте только мягкое мыло и влажную ткань. Удалите остатки травы, которые могут собраться в нижней части корпуса. Время от времени проверяйте надежность фиксации элементов крепления.

### Предотвращение образования коррозии

Удобрения и прочие садовые химические средства содержат вещества, которые значительно ускоряют образование коррозии на металлических поверхностях. В случае использования косилки в местах, где применялись удобрения и химические вещества, ее необходимо очистить сразу после эксплуатации следующим образом: Отпустите скобу управления (2) для остановки газонокосилки и отключите ее от источника питания. Протрите все поверхности влажной тряпкой.

### Техническое обслуживание

Ваш электрический/аккумуляторный прибор/инструмент BLACK+DECKER рассчитан на работу в течение продолжительного времени при минимальном техническом обслуживании. Для длительной безотказной работы требуется надлежащий уход за инструментом/прибором и его регулярная чистка.

**Внимание!** Перед выполнением любых работ по обслуживанию проводных/беспроводных инструментов:

- ◆ Выключите и отключите от сети прибор/инструмент.
- ◆ Или полностью выработайте заряд аккумуляторной батареи, если она встроена и затем выключите инструмент.
- ◆ Перед чисткой зарядного устройства отключите его от источника питания. Зарядное устройство не требует никакого обслуживания кроме регулярной чистки.

- ◆ Регулярно очищайте вентиляционные отверстия инструмента/прибора и зарядное устройство с помощью мягкой щетки или сухой тканевой салфетки.
- ◆ Регулярно очищайте корпус двигателя с помощью влажной ткани. Не используйте никакие абразивные чистящие средства или средства на основе растворителей.
- ◆ Регулярно счищайте траву и грязь с нижней части защитного кожуха тупым скребком.

## Неисправности и способы их устранения

В случае неправильной работы инструмента следуйте приведенным ниже инструкциям.

Если неисправность не удается устранить, обратитесь к местному специалисту по ремонту BLACK+DECKER.

**Внимание!** Перед тем как продолжить, отпустите скобу управления для отключения газонокосилки и дождитесь полной остановки ножа.

Неисправность	Возможное решение
Газонокосилка не работает при нажатии на скобу управления.	<p>Убедитесь, что газонокосилка подключена к источнику питания, а кнопка на блоке переключателя нажата.</p> <p>Отпустите скобу управления для отключения газонокосилки. Извлеките аккумуляторную батарею, переверните газонокосилку и убедитесь, что нож свободно вращается.</p> <p>Убедитесь, что разъем аккумуляторной батареи не загрязнен и правильно подключен.</p> <p>Заряжена ли батарея? Нажмите на кнопку индикатора заряда.</p>
Электродвигатель останавливается во время работы.	<p>Отпустите скобу управления для отключения газонокосилки. Извлеките аккумуляторную батарею, переверните газонокосилку и убедитесь, что нож свободно вращается.</p> <p>Отрегулируйте высоту скашивания в самое высокое положение и запустите косилку.</p> <p>Убедитесь, что разъем аккумуляторной батареи не загрязнен и батарея правильно подсоединена</p> <p>Заряжена ли батарея? Нажмите на кнопку индикатора заряда</p> <p>Избегайте перегрузок косилки. Снизьте скорость или увеличьте высоту скашивания.</p>
Газонокосилка работает, но ее производительность оставляет желать лучшего.	<p>Отпустите скобу управления для отключения газонокосилки. Отключите газонокосилку от источника питания. Переверните газонокосилку и проверьте:</p> <ul style="list-style-type: none"> <li>◆ Остроту ножа — он должен быть острым.</li> <li>◆ Нижнюю часть корпуса и выпускное отверстие на предмет засорений.</li> </ul> <p>Высота скашивания может быть слишком низкой для скашиваемой травы. Увеличьте высоту скашивания.</p>
Газонокосилку тяжело толкать.	<p>Отпустите скобу управления для отключения газонокосилки. Отключите газонокосилку от источника питания. Увеличьте высоту скашивания, чтобы уменьшить трение косилки о траву. Проверьте, свободно ли вращаются колеса</p>

Неисправность	Возможное решение
Газонокосилка работает слишком громко или с чрезмерной вибрацией.	<p>Отпустите скобу управления для остановки газонокосилки и отключите ее от источника питания. Поверните газонокосилку набок и проверьте нож на предмет изгибания и повреждения. В случае повреждения ножа замените его на запасной нож BLACK+DECKER. В случае повреждения нижней части корпуса отвезите газонокосилку в полномочный сервисный центр BLACK+DECKER.</p> <p>Если видимые повреждения ножа отсутствуют, но газонокосилка все равно сильно вибрирует:</p> <ul style="list-style-type: none"> <li>◆ Отпустите скобу управления для отключения газонокосилки.</li> <li>◆ Извлеките аккумуляторную батарею.</li> <li>◆ Разберите весь узел ножа, как описано в разделе «Снятие и установка ножа».</li> <li>◆ Удалите загрязнения и очистите все составляющие.</li> <li>◆ Установите детали на место, как описано в разделе «Снятие и установка ножа».</li> </ul> <p>Если газонокосилка продолжает сильно вибрировать, отвезите ее в авторизованный сервисный центр BLACK+DECKER.</p>
Светодиод уровня заряда аккумуляторной батареи не горит.	<p>Проверьте подключение разъема.</p> <p>Замените зарядное устройство.</p>
Травосборник не собирает траву.	<p>Отверстие выброса забилось. Отпустите скобу управления для отключения газонокосилки. Извлеките аккумуляторную батарею. Очистите отверстие выброса от скошенной травы.</p> <p>Поднимите высоту скашивания колес, чтобы снизить высоту скашивания.</p> <p>Травосборник переполнен. Чаще опорожняйте травосборник.</p>

## Защита окружающей среды



Отдельная утилизация. Изделия и аккумуляторные батареи с данным символом на маркировке запрещается утилизировать с обычными бытовыми отходами.

Изделия и аккумуляторные батареи содержат материалы, которые могут быть извлечены или переработаны, снижая потребность в исходном сырье. Пожалуйста, утилизируйте электрические изделия и аккумуляторные батареи в соответствии с местными нормами. Дополнительная информация доступна по адресу [www.2helpU.com](http://www.2helpU.com)

## Технические характеристики

		BSM3318	BSM3336
Напряжение	В пост. тока	18 В	36 В
Скорость без нагрузки	мин. <sup>-1</sup>	3800RPM	3800RPM
Вес	кг	15	15
Длина ножа	мм	31	31



Аккумуляторные батареи				Зарядные устройства (минуты)					
Кат. №	Вмест. повт.	Ач	Вес в кг	Кат. №	9090287*	N51738*	BDC1A	BDC2A	BDC2A36
				Амперы	400 мА	1А	1А	2 А	1,35А
BL1918	18	1,5	0,38	BL1918	225	90	90	45	X
BL1918ST	18	1,5	0,38	BL1918ST	225	90	90	45	X
BL2018	18	2,0	0,39	BL2018	300	120	120	60	X
BL2018ST	18	2,0	0,39	BL2018ST	300	120	120	60	X
BL2918	18	2,5	0,43	BL2918	360	150	150	75	X
BL4018	18	4,0	0,64	BL4018	600	240	240	120	X
BL5018	18	5,0	0,7	BL5018	750	300	300	135	X
BL20302	36	2,0	0,64	BL20302	X	X	X	X	96
BL2536	36	2,5	0,68	BL2536	X	X	X	X	110
BL1554	18/54	1,5	1,08	BL1554	225	90	90	45	X
BL2554	18/54	2,5	1,3	BL2554	360	150	150	75	X

Средневзвешенное значение воздействия вибрации на руку:

$$= <2,5 \text{ м/сек}^2, \text{ погрешность (K) = } 1,5 \text{ м/сек}^2.$$

$L_w$  (звуковое давление) 74,5 дБ(A)  
погрешность (K) = 2,5 дБ(A)

$L_{WA}$  (акустическая мощность) 86 дБ(A)  
погрешность (K) = 1,5 дБ(A)

### Заявление о соответствии нормам ЕС ДИРЕКТИВА ПО МЕХАНИЧЕСКОМУ ОБОРУДОВАНИЮ ДИРЕКТИВА ПО ШУМАМ, ПРОИЗВОДИМЫМ ВНЕ ПОМЕЩЕНИЯ



BSMW3318, BSMW3336 Колесная газонокосилка

Black & Decker заявляет, что продукция, описанная в разделе «Технические характеристики» соответствует: 2006/42/EC, EN 60335-1:2012 + A11:2014, EN 60335-2-77:2010

2000/14/EC, Колесная газонокосилка, L < 50 см,  
Приложение VI,

DEKRA Certification B.V. Meander 1051 / P.O. Box 5185  
6825 MJ ARNHEM/6802 ED ARNHEM, Нидерланды  
Идентификационный № уведомленного органа: 0344

Уровень звуковой мощности в соответствии с директивой 2000/14/EC (Статья 12, Приложение III, D < 50 см):

$L_w$  (измеренная звуковая мощность) 86 дБ(A)  
погрешность (K) = 1,5 дБ(A)

$L_{WA}$  (гарантированная акустическая мощность) 96 дБ(A)  
Эти продукты также соответствуют Директивам 2014/30/

EU и 2011/65/EU. За дополнительной информацией обращайтесь в компанию Black & Decker по адресу, указанному ниже или приведенному на задней стороне обложки руководства.

Нижеподписавшийся несет ответственность за составление технической документации и составил данную декларацию по поручению компании Black & Decker.

Беки Котсворт  
Директор – отдел продукции для использования вне помещений  
Black & Decker Europe, 270 Bath Road, Slough,  
Berkshire, SL1 4DX  
Великобритания

### Гарантия

Компания Black & Decker с уверенностью в качестве своей продукции предлагает клиентам гарантию на 24 месяца с момента покупки. Данная гарантия является дополнительной и ни в коей мере не направлена на ущемление Ваших юридических прав. Гарантия действует на территории стран-участниц ЕС и в Европейской зоне свободной торговли.

Чтобы подать заявку по гарантии, заявка должна соответствовать положениям и условиям Black & Decker; кроме того, Вам потребуется предъявить продавцу или авторизованному специалисту по ремонту подтверждение покупки. Положения и условия 2-летней гарантии Black & Decker и местонахождение ближайшего авторизованного специалиста по ремонту можно узнать через интернет по адресу [www.2helpU.com](http://www.2helpU.com), или связавшись с местным представительством Black & Decker по адресу, указанному в данном руководстве.

Посетите наш веб-сайт [www.blackanddecker.co.uk](http://www.blackanddecker.co.uk), чтобы зарегистрировать свое новое изделие Black & Decker и получать информацию о новинках и специальных предложениях.



**Приложение к руководству по эксплуатации электрооборудования для определения месяца производства по номеру текущей календарной недели года**

Электрооборудование торговых марок "Dewalt", "Stanley", "Stanley FatMAX", "BLACK+DECKER".

Директивы 2014/30/EU ЕВРОПЕЙСКОГО ПАРЛАМЕНТА И СОВЕТА от 26 февраля 2014 г. "О гармонизации законодательств Государств-членов ЕС в области электромагнитной совместимости", 2006/42/ЕС ЕВРОПЕЙСКОГО ПАРЛАМЕНТА И СОВЕТА от 17 мая 2006 г. "О машинах и оборудовании", 2014/35/EU ЕВРОПЕЙСКОГО ПАРЛАМЕНТА И СОВЕТА от 26 февраля 2014 г. "О гармонизации законодательств государств-членов в области размещения на рынке электрооборудования, предназначенного для использования в определенных пределах напряжения". Серийный выпуск.

**ТОВАР СЕРТИФИЦИРОВАН**

Орган по сертификации "РОСТЕСТ- Москва", Адрес: 119049, г. Москва, улица Житная, д. 14, стр. 1; 117418, Москва, Нахимовский просп., 31 (фактический), Телефон: (499) 1292311, (495) 6682893, Факс: (495) 6682893, E-mail: office@rostest.ru

Изготовитель: Изготовитель: Блэк энд Дежер Холдингс ГмБХ, Германия, 65510, Идштайн, ул. Блэк энд Дежер, 40, тел. +496126212790.

**Уполномоченное изготовителем юрлицо:**

ООО "Стэнли Блэк энд Дежер", 117485, город Москва, улица Обручева, дом 30/1, строение 2  
Телефон: + 7 (495) 258-3981, факс: + 7 (495) 258-3984, E-mail: inbox@dewalt.com  
Сведения о импортере указаны в сопроводительной документации и/или на упаковке

**Хранение.**

Необходимо хранить в сухом месте, вдали от источников повышенных температур и воздействия солнечных лучей. При хранении необходимо избегать резкого перепада температур. Хранение без упаковки не допускается

**Срок службы.**

Срок службы изделия составляет 5 лет. Не рекомендуется к эксплуатации по истечении 5 лет хранения с даты изготовления без предварительной проверки.

Дата изготовления (код даты) указана на корпусе инструмента. Код даты, который также включает год изготовления, отштампован на поверхности корпуса изделия.

Пример:

2014 46 XX, где 2014 –год изготовления, 46-неделя изготовления. Определить месяц изготовления по указанной неделе изготовления можно согласно приведенной ниже таблице.

**Транспортировка.**

Категорически не допускается падение и любые механические воздействия на упаковку при транспортировке. При разгрузке/погрузке не допускается использование любого вида техники, работающей по принципу зажима упаковки.

**Перечень критических отказов, возможные ошибочные действия персонала.**

- Не допускается эксплуатация изделия:
- При появлении дыма из корпуса изделия
- При поврежденном и/или оголенном сетевом кабеле
- при повреждении корпуса изделия, защитной кожаной, рукоятки
- при попадании жидкости в корпус
- при возникновении сильной вибрации
- при возникновении сильного искрения внутри корпуса

**Критерии предельных состояний.**

- При поврежденном и/или оголенном сетевом кабеле
- при повреждении корпуса изделия

Месяц	Январь	Февраль	Март	Апрель	Май	Июнь	Июль	Август	Сентябрь	Октябрь	Ноябрь	Декабрь	Год производства
Неделя	1	5	9	14	18	23	27	31	36	40	44	49	2018
	2	6	10	15	19	24	28	32	37	41	45	50	
	3	7	11	16	20	25	29	33	38	42	46	51	
	4	8	12	17	21	26	30	34	39	43	47	52	
			13		22		35			48			
Неделя	1	6	10	14	18	23	27	31	36	40	45	49	2019
	2	7	11	15	19	24	28	32	37	41	46	50	
	3	8	12	16	20	25	29	33	38	42	47	51	
	4	9	13	17	21	26	30	34	39	43	48	52	
	5				22		35		44				
Неделя	1	6	10	14	19	23	27	32	36	40	45	49	2020
	2	7	11	15	20	24	28	33	37	41	46	50	
	3	8	12	16	21	25	29	34	38	42	47	51	
	4	9	13	17	22	26	30	35	39	43	48	52	
	5			18			31		44				
Неделя	2	6	10	14	19	23	27	32	36	41	45	49	2021
	3	7	11	15	20	24	28	33	37	42	46	50	
	4	8	12	16	21	25	29	34	38	43	47	51	
	5	9	13	17	22	26	30	35	39	44	48	52	
				18			31		40			1	
Неделя	2	6	10	15	19	23	28	32	36	41	45	49	2022
	3	7	11	16	20	24	29	33	37	42	46	50	
	4	8	12	17	21	25	30	34	38	43	47	51	
	5	9	13	18	22	26	31	35	39	44	48	52	
			14			27		40			1		

**Сфера застосування**

Газонокосарки BLACK+DECKER BCMW3318, BCMW3336 призначені для підстригання трави. Ці пристрої призначені лише для побутового використання.

**Інструкції з техніки безпеки**

**Увага!** При використанні бездротових пристроїв необхідно дотримуватись основних заходів безпеки, включаючи наступні, щоб знизити ризик виникнення пожежі, ураження електричним струмом, травм та матеріальних ушкоджень.

**Увага!** При використанні пристрою необхідно дотримуватись правил техніки безпеки.

Перед використанням пристрою уважно прочитайте цей посібник для забезпечення власної безпеки та безпеки сторонніх людей. Будь ласка зберігайте інструкції в безпечному місці для використання в майбутньому.

- ◆ Перед роботою з пристроєм уважно прочитайте цей посібник.
- ◆ У цьому керівництві описано використання за призначенням. Використання будь-якого приладдя насадок чи додаткового обладнання або виконання операцій з приладом, не описаних у цьому посібнику, може призвести до особистих травм.
- ◆ Зберігайте це керівництво для отримання інформації в подальшому.

**Використання пристрою**

Будьте уважні під час використання пристрою.

- ◆ Цей пристрій не призначений для використання молодими та хворими

людьми без нагляду.

- ◆ Цей інструмент не можна використовувати як іграшки.
- ◆ Не дозволяйте дітям або тваринам підходити до робочої зони та торкатися пристроїв або електричних шнурів.
- ◆ Необхідний ретельний нагляд у випадках, коли пристрій використовується біля дітей.
- ◆ Використовуйте лише в сухому місці. Не дозволяйте, щоб пристрій був вологим. Не занурюйте пристрій у воду.
- ◆ Не відкривайте корпус. Усередині відсутні деталі, які користувач може обслуговувати самостійно.
- ◆ Не використовуйте цей пристрій у вибухонебезпечних умовах, наприклад, в присутності легкозаймистих рідин, газів або пилу.
- ◆ Щоб знизити ризик пошкодження вилок та шнурів, ніколи не тягніть за кабель, щоб витягнути вилок з розетки.
- ◆ Перед використанням інструмента завжди оглядайте його, щоб переконатися, що ніж гострий, а болти та кріпильні елементи ножа не мають ознак зносу та пошкодження. Замініть зношені та пошкоджені ножі та болти у комплектах, щоб зберегти баланс.
- ◆ Щоб уникнути небезпеки, пов'язаної з випадковим скиданням теплового вимикання, даний прилад не повинен житися від зовнішнього

комутаційного пристрою, наприклад, таймера, або підключатися до ланцюга, який регулярно вмикається і вимикається електромережею.

- ◆ У жодному разі не використовуйте пристрій, коли поряд знаходяться інші люди, особливо діти, або домашні тварини.
- ◆ Пам'ятайте, що оператор або користувач несе відповідальність за нещасні випадки та небезпеку щодо інших людей або їхнього майна.

### Перед використанням

- ◆ Під час роботи з пристроєм завжди вдягайте міцні черевики та довгі штани. Не працюйте з інструментом босоніж та у відкритих сандалях. Уникайте вільного одягу, звисаючих поясів та краваток.
- ◆ Ретельно огляньте місце, де буде використовуватися пристрій, та приберіть всі предмети, які можуть бути відкинуті пристроєм.
- ◆ Перед використанням інструмента завжди оглядайте його, щоб переконатися, що ніж гострий, а болти та кріпильні елементи ножа не мають ознак зносу та пошкодження. Замініть зношені та пошкоджені деталі у комплекті, щоб зберегти баланс. Замініть пошкоджені або нерозбірливі маркування.

### Після використання

- ◆ Коли пристрій не використовується, його необхідно зберігати у сухому, добре провітрюваному та

недоступному для дітей місці.

- ◆ Дітям забороняється мати доступ до пристрою в місці зберігання.
- ◆ Якщо пристрій зберігається або транспортується в автомобілі, його необхідно помістити в багажник або зафіксувати, щоб уникнути рухів через раптові зміни швидкості або прямку.

### Перевірка та ремонт

- ◆ Перед використанням перевірте пристрій на наявність пошкоджених деталей. Перевірте на наявність зламаних деталей, пошкоджених перемикачів та інших умов, що можуть вплинути на роботу.
- ◆ Не використовуйте пристрій, якщо виявлено пошкодження або дефекти якоїсь деталі.
- ◆ Пошкоджені або дефектні деталі необхідно відремонтувати або замінити, звернувшись до авторизованого центру з ремонту.
- ◆ Ніколи не намагайтеся знімати або замінювати деталі, за винятком тих, що вказані в цьому посібнику.
- ◆ Будьте уважні під час налаштування косарки, слідкуйте, щоб пальці не потрапили між рухомими ножами/ деталями та нерухомими деталями пристрою.
- ◆ Під час обслуговування ножів пам'ятайте, що хоча джерело живлення вимкнене, ножі однаково все ще можуть рухатися.

## Додаткові інструкції з техніки безпеки для газонокосарки

- ◆ Не транспортуйте пристрій з підключеним джерелом живлення
- ◆ Під час використання газонокосарки міцно тримайте ручку обома руками.
- ◆ Якщо необхідно нахилити газонокосарку, обидві руки повинні залишатись у робочому положенні, коли вона нахилиється. Тримайте обидві руки в робочому положенні до того моменту, коли косарка повернеться в надійне положення на землі.
- ◆ У жодному разі не слухайте радіо або музику в навушниках під час використання газонокосарки.
- ◆ У жодному разі не намагайтесь відрегулювати висоту коліс, коли електродвигун увімкнений або захисний ключ знаходиться у корпусі перемикача.
- ◆ Якщо газонокосарка заїла, відпустіть дужку запуску, щоб вимкнути газонокосарку, зачекайте, поки ножі зупиняться та витягніть захисний ключ до того, як намагатися прочистити лоток або витягнути щось з-під платформи.
- ◆ Утримуйте руки та ноги подалі від зони різання.
- ◆ Ножі повинні бути гострими. Завжди використовуйте захисні рукавиці під час роботи з ножами газонокосарки.
- ◆ Якщо ви використовуєте травозбірник для трави, часто перевіряйте його на наявність ознак зношення та пошкодження. Якщо він надмірно зношений, замініть його на новий з міркувань безпеки використання.
- ◆ Будьте особливо уважні, коли повертаєте газонокосарку або тягнете її до себе.
- ◆ Не ставте руки або ноги поряд з газонокосаркою або під неї. У жодному разі не знаходьтеся навпроти отвору для вивантаження.
- ◆ Очистіть місце, де буде використовуватись газонокосарка, від таких предметів, як каміння, гілки, кабелі, іграшки, кістки тощо, які можуть бути відкинуті ножем. Такі предмети під час зіткнення з лезом можуть спричинити тяжкі ушкодження людині. Знаходьтеся за ручкою, коли двигун працює.
- ◆ Не використовуйте газонокосарку босим або у відкритому взутті. Завжди вдягайте міцне взуття.
- ◆ Не тягніть газонокосарку назад за винятком випадків, коли це абсолютно необхідно. Завжди дивіться вниз та назад, перед та під час пересування назад.
- ◆ У жодному разі не спрямовуйте матеріал, що вивантажується, в бік інших людей. Уникайте вивантаження матеріалу в напрямку близько розташованої стіни або іншої перешкоди. Матеріал, що вивантажується, може відскочити та потрапити в оператора. Коли необхідно перейти через гравійне покриття, відпустіть дужку, щоб

вимкнути газонокосарку та зупинити ніж.

- ◆ Не використовуйте газонокосарку без травозбірника, захисту отвору для вивантаження, заднього захисного кожуха та інших захисних пристроїв, які повинні бути встановлені на пристрій та знаходитись у справному стані. Періодично перевіряйте всі захисні кожухи та захисні пристрої, щоб упевнитися, що вони знаходяться у нормальному робочому стані та виконують відповідну функцію. Перед використанням замініть пошкоджені захисні кожухи та інші захисні пристрої.
- ◆ У жодному разі не залишайте без нагляду газонокосарку, яка працює.
- ◆ Завжди відпускайте дужку, щоб зупинити електродвигун, та чекайте повної зупинки ножів, а також витягайте захисний ключ перед очищенням газонокосарки, знімаючи мішок для трави, усуваючи забивання захисту отвору для вивантаження, перш ніж залишити газонокосарку або перед виконанням будь-яких налаштувань, ремонту або огляду.
- ◆ Використовуйте газонокосарку лише вдень або за умов доброго штучного освітлення, коли всі предмети, що знаходяться на шляху ножа, добре видно з місця оператора газонокосарки.
- ◆ Не використовуйте газонокосарку, знаходячись під впливом алкоголю

або наркотиків, а також якщо ви втомилися чи захворіли. Завжди будьте уважні, добре стежте за тим, що ви робите, та будьте розсудливі.

- ◆ Уникайте знаходження у небезпечному середовищі. У жодному разі не використовуйте газонокосарку на вологій або мокрій траві та під час дощу. Завжди зберігайте стійке положення ніг, рухайтесь повільно й в жодному разі не біжіть.
- ◆ Якщо газонокосарка починає занадто сильно вібрувати, відпустіть дужку, зачекайте, щоб ніж зупинився, а потім відразу спробуйте знайти причину вібрації. Вібрація зазвичай свідчить про якісь пошкодження, див. інструкції з пошуку та усунення несправностей у випадку занадто сильної вібрації.
- ◆ Під час використання газонокосарки завжди використовуйте належний захист очей та органів дихання.
- ◆ Використання будь-якого приладдя та додаткового обладнання, не рекомендованого до використання з цією газонокосаркою, є небезпечним. Використовуйте лише комплектуючі, схвалені компанією BLACK+DECKER.
- ◆ У жодному разі не намагайтеся дотягнутися занадто далеко під час роботи з газонокосаркою. Завжди підтримуйте правильне положення ніг та рівновагу під час роботи з газонокосаркою.

- ◆ Рухайтесь вздовж схилу, але за жодних обставин не вгору або вниз. Будьте особливо уважні під час зміни напрямку скошування на схилі.
- ◆ Уникайте ям, колій, горбиків, каменів та інших прихованих перешкод. Нерівна поверхня може стати причиною ковзання та падіння. Висока трава може ховати перешкоди.
- ◆ Не використовуйте косарку на вологій траві та занадто крутих схилах. Неправильне положення ніг може стати причиною ковзання та падіння.
- ◆ Не використовуйте косарку біля обривів, канав або насипів. У таких місцях можна випадково втратити рівновагу.
- ◆ Перед тим, як поставити пристрій на зберігання, завжди давайте йому охолонути.

Витягніть вилку з розетки та витягніть акумуляторну батарею з пристрою. Переконайтесь, що всі рухомі частини повністю зупинились:

- ◆ щоразу, коли ви залишаєте пристрій;
- ◆ перед очищенням після забивання;
- ◆ перед перевіркою, очищенням або роботою над пристроєм.

### Безпека оточення

- ◆ Цей пристрій не призначений для використання особами (включаючи дітей) зі зниженими фізичними, сенсорними або розумовими можливостями, а також особами,

яким бракує досвіду або знань, за винятком випадків, коли такі особи працюють під наглядом або отримали інструкції щодо використання пристрою від особи, яка несе відповідальність за їхню безпеку.

- ◆ Діти повинні знаходитись під наглядом, щоб гарантувати, що вони не будуть грати з пристроєм.
- ◆ Після зіткнення зі стороннім предметом. Огляньте пристрій на предмет наявності пошкоджень та в разі потреби відремонтуйте його;

### Залишкові ризики

Під час використання інструмента можуть виникнути додаткові залишкові ризики, які не внесено до попереджень щодо техніки безпеки в цьому посібнику. Ці ризики можуть виникнути як результат неправильного використання, тривалого використання тощо.

Незважаючи на виконання всіх відповідних правил техніки безпеки та використання захисних пристроїв, неможливо уникнути деяких залишкових ризиків. Сюди належать:

- ◆ Травми через контакт з деталями, що рухаються/обертаються.
- ◆ Травми під час заміни деталей, пильних полотен або аксесуарів.
- ◆ Травми через занадто тривале використання інструменту. Під час використання будь-якого інструменту протягом тривалого періоду часу не забувайте робити



регулярні перерви.

- ♦ Порушення слуху.
- ♦ Небезпека для здоров'я через вдихання пилу, що утворюється під час використання інструменту (наприклад, при роботі з деревом, особливо з дубом, буком та ДВП).
- ♦ якщо експлуатація косарки в умовах підвищеної вологості є неминучою, використовуйте пристрій захисного відключення (ПЗВ) із струмом спрацьовування не більшим за 30 мА; Використання RCD знижує ризик ураження електричним струмом.
- ♦ в жодному разі не підносьте та не переносьте пристрій з електродвигуном, який працює.

## Попереджувальні символи

Наведені нижче попереджувальні символи нанесені на пристрій разом з кодом дати:



**Увага!** Прочитайте ці інструкції перед використанням.



Не залишайте інструмент під дощем та в умовах підвищеної вологості.



**Пам'ятайте про те, що леза є гострими.** Ножі продовжують обертатися після вимкнення двигуна – Перед обслуговуванням або при пошкодженні шнура пристрій відключення слід зняти.



Бережіться об'єктів, які летять. Тримайте сторонніх людей подалі від зони різання.



Використовуйте засоби захисту очей



Ножі продовжують обертатися після вимкнення двигуна.



У Директиві 2000/14/ЕС вказана гарантована звукова потужність.

## Додаткові інструкції з техніки безпеки для акумуляторів та зарядних пристроїв

### Батареї

- ♦ Ніколи не намагайтесь відкрити батарею.
- ♦ Не занурюйте батарею у воду.
- ♦ Тримайте та експлуатуйте батарею впливу тепла.
- ♦ Не зберігайте у місцях, де температура може перевищувати 40 °С.
- ♦ Заряджайте лише за температури навколишнього середовища між 10 °С та 40 °С.
- ♦ Заряджайте лише за допомогою зарядного пристрою, що надається з інструментом. Використання невідповідного зарядного пристрою може призвести до ураження електричним струмом або перегрівання батареї.

- ◆ При утилізації батарей дотримуйтесь інструкцій, наведених у розділі «Захист навколишнього середовища».
- ◆ Не пошкоджуйте та не деформуйте батареї шляхом проколу або удару, це може призвести до ризику травми та пожежі.
- ◆ Не заряджайте пошкоджені батареї.
- ◆ За екстремальних умов можлива розгерметизація батареї. Якщо ви помітите на батарейці рідину, витріть її обережно тканиною. Уникайте контакту зі шкірою.
- ◆ При потрапленні на шкіру або в очі виконуйте наступні інструкції.

**Увага!** Рідина батареї здатна спричинити тілесне ураження або пошкодження майна. У випадку потраплення на шкіру негайно промийте її водою.

У разі виникнення почервоніння, болю чи подразнення зверніться до лікаря. У випадку потраплення на слизову очей негайно промийте великою кількістю чистої води та зверніться по медичну допомогу.



Не заряджайте пошкоджені батареї

## Зарядний пристрій

Зарядний пристрій розроблено для певного значення напруги.

Завжди перевіряйте відповідність джерела живлення напрузі, що вказана на табличці з паспортними даними.

**Увага!** Ніколи не намагайтесь замінювати зарядний пристрій звичайним мережним штепселем.

- ◆ Використовуйте зарядний пристрій Black & Decker для зарядки батарей лише того пристрою/інструмента, з яким він був у комплекті. Інші батареї можуть вибухнути, спричинивши травми та пошкодження.
- ◆ Ніколи не намагайтесь заряджати батареї, що не підлягають зарядці.
- ◆ Якщо дріт живлення пошкоджений, його необхідно замінити у виробника або в офіційному сервісному центрі Black & Decker для уникнення небезпеки.
- ◆ Уникайте контакту зарядного пристрою з водою.
- ◆ Не відкривайте корпус зарядного пристрою.
- ◆ Не розбирайте зарядний пристрій.
- ◆ Під час зарядки пристрій/інструмент/батарея повинні знаходитись у добре провітрюваному місці.



Зарядний пристрій призначений лише для використання в приміщенні.



Прочитайте інструкції цього посібника перед використанням.

## Електрична безпека



Зарядний пристрій має подвійну ізоляцію, тому заземлення непотрібне. Завжди перевіряйте відповідність джерела живлення напрузі, що вказана на табличці з паспортними даними.

Ніколи не намагайтесь замінювати зарядний пристрій звичайним

мережним штепселем.

- ◆ Якщо дрiт живлення пошкоджений, його необхідно замінити у виробника або в офіційному сервісному центрі Black & Decker для уникнення небезпеки.

### Компоненти

Цей пристрій має всі або деякі з нижче перерахованих компонентів.

1. Блок перемикачів.
2. Ручка-дужка
3. Верхня ручка
4. Нижня ручка
5. Рукоятки кріплення верхньої ручки (2)
6. Отвір для кріплення нижньої ручки (2)
7. Важіль регулювання висоти відрізання
8. Травозбірник
9. Задня кришка
10. Ручки для перенесення.

### Процес зарядки

Зарядні пристрої BLACK+DECKER призначені для зарядки акумуляторних батарей BLACK+DECKER.

- ◆ Підключіть зарядний пристрій до відповідної розетки перед встановленням акумулятора.
- ◆ Вставте акумулятор у зарядний пристрій.



Зелений світлодіод почне блимати, вказуючи на те, що акумулятор заряджається



Про завершення зарядки свідчить зелений світлодіод, який горить постійно. Це означає, що батарея повністю заряджена і може використовуватися відразу або залишатися в зарядному пристрої

**Увага!** Заряджайте батареї, які розрядилися, якомога швидше після використання, інакше термін служби батареї може значно скоротитися.

### Діагностика зарядного пристрою

Зарядний пристрій призначений для виявлення певних проблем, які можуть виникати з акумулятором або джерелом живлення. Проблеми відображаються різними сигналами світлодіода.

### Несправна батарея



Зарядний пристрій може визначити розряджену або пошкоджену батарею.

Червоний світлодіод буде горіти в спосіб, який вказано на ярлику. Якщо ви побачите такий варіант світлодіодного сигналу, припиніть зарядку батареї.

Поверніть її у сервісний центр або місце збирання батарей для її переробки

### Затримка через надмірно високу/низьку температуру акумулятора



Якщо зарядний пристрій визначає, що акумулятор є занадто гарячим або занадто холодним, він автоматично вмикає режим температурної затримки, припиняючи процес зарядки, доки акумулятор не досягне нормальної температури.

Після цього зарядний пристрій автоматично переходить до режиму зарядки батареї. Ця функція забезпечує максимальний термін служби акумулятора. В разі увімкнення режиму температурної затримки червоний світлодіод буде горіти в спосіб, який вказано на ярлику.

### Важливі примітки щодо зарядки

- ◆ Найдовшого терміну експлуатації та найкращих експлуатаційних характеристик можна досягти за умови заряджання акумулятора за температури навколишнього повітря між 60 °F та 80 °F (16–27 °C).
- ◆ НЕ заряджайте батарею за температури навколишнього середовища нижче +40 °F (+4,5 °C) або вище +105 °F (+40,5 °C). Це важливо та дає можливість запобігти завданню серйозної шкоди акумуляторній батареї.
- ◆ Під час заряджання зарядний пристрій та акумулятор можуть бути теплими на дотик. Це є нормою і не є показником проблеми. Щоб швидше охолодити батарею після використання, не поміщайте зарядний пристрій та батарею у тепле місце, наприклад у металевий гараж або трейлер без теплоізоляції.
- ◆ Якщо акумулятор не заряджається належним чином:
  - ◆ Перевірте наявність струму в розетці шляхом підключення лампи або іншого
  - ◆ Перевірте, чи розетка підключена до вимикача освітлення, який вмикає живлення, коли ви вмикаєте лампи.
  - ◆ Помістіть зарядний пристрій та акумулятор у місце, де температура повітря становить приблизно 60 °F – 80 °F (16 °C – 27 °C).
  - ◆ якщо проблема не вирішується, віднесіть інструмент, акумулятор та зарядний пристрій у місцевий сервісний центр.
- ◆ Акумулятор необхідно заряджати, коли він припиняє надавати достатньо потужності для завдань, які легко виконувались раніше. ПРИПИНІТЬ ВИКОРИСТАННЯ за цих умов. Дотримуйтеся процедури зарядки. Ви можете заряджати частково розряджену батарею коли забажаєте, без шкоди для неї.
- ◆ Сторонні предмети, що проводять струм, наприклад металева стружка, алюмінієва фольга або будь-які

металеві деталі, необхідно зберігати подалі від зарядного пристрою. Завжди відключайте зарядний пристрій від розетки, коли батарея не встановлена в зарядний пристрій. Відключіть зарядний пристрій від мережі живлення перед його очищенням.

- ◆ Не заморожуйте та не занурюйте зарядний пристрій у воду або будь-яку іншу рідину.

**Увага!** Не допускайте потрапляння рідини в зарядний пристрій.

**ЗА ЖОДНИХ УМОВ НЕ НАМАГАЙТЕСЬ ВІДКРИТИ АКУМУЛЯТОР. ЯКЩО ПЛАСТИКОВИЙ КОРПУС АКУМУЛЯТОРА РОЗЛАМАВСЯ АБО В НЬОМУ УТВОРИЛИСЬ ТРІЩИНИ, ЗДАЙТЕ ЙОГО В СЕРВІСНИЙ ЦЕНТР ДЛЯ ПЕРЕРОБКИ.**

#### Індикатор стану зарядки акумулятора

Акумулятор оснащений індикатором стану заряду. Дана функція може використовуватися для відображення поточного рівня заряду акумулятора під час роботи газонокосарки та заряджання. Він не показує функціональність інструмента, а його показники можуть змінюватись відповідно до комплектності інструмента, температури та способу застосування.

#### Перевірка стану заряду:

- ◆ Натисніть кнопку індикатора стану заряду (12а).
- ◆ Загоряться три світлодіоди (12b), вказуючи відсоток заряду батареї. Дивіться діаграму на рис. В.
- ◆ Якщо світлодіод не загориться, зарядіть акумулятор.

#### Встановлення акумулятора (Рис. С, С1)

- ◆ Підніміть кришку батарейного відсіку (14), щоб відкрити батарейний відсік.
- ◆ Вставте батарею (12) в батарейний відсік до повної установки, поки не пролунає відповідне клацання (рис. С).
- ◆ Переконайтесь, що батарея повністю сіла на своє місце та повністю зафіксована у відповідному положенні. Блок ВСМВ3318 має два батарейних відсіки, як показано на рис. С1.
- ◆ Закрийте кришку батарейного відсіку. Перед запуском газонокосарки переконайтесь в тому, що кришка повністю закрита.

#### Щоб вийняти акумуляторні батареї:

- ◆ Відкрийте кришку батарейного відсіку (14), як описано вище.
- ◆ Натисніть кнопку витягування батареї на батарейного відсіку та витягніть акумуляторну батарею з інструменту.

#### Монтаж

**Увага!** Перед монтажем переконайтесь, що ручка-дужка відпущена.

#### Встановлення нижньої ручки

- ◆ Натисніть кнопку (4а) на нижньому отворі для кріплення ручки (6) і вставте нижню ручку (4). Відрегулюйте висоту відповідно до ваших вимог.

**Примітка!** Переконайтесь, що кожна сторона нижньої ручки встановлена на однаковій висоті.

#### Встановлення верхньої ручки (рис. Н)

Верхня ручка має два різних отвори для кріплення для регулювання довжини ручки з пристроєм. Перший набір отворів в нижній частині верхньої трубки ручки дозволяє забезпечити максимальну довжину ручки. Використання верхнього кріпильного положення скорочує довжину ручки

- ◆ Зніміть рукоятки кріплення (5) і болт (5а) з верхньої ручки.
- ◆ Зіставте отвори в нижній частині верхньої ручки (3) з отворами у верхній частині нижньої ручки (4).
- ◆ Ззовні верхньої ручки (3) просуньте болт через отвори.
- ◆ Поверніть верхню ручку у робочу позицію.
- ◆ Затягніть рукоятки кріплення верхньої ручки (5).

#### Фіксація кабелю електродвигуна (рис. І)

**Увага!** Прикріпіть кабель так, щоб він не розтягувався чи не затискався в з'єднаннях ручок під час використання або складання. Це може призвести до пошкодження шнура. Кабель двигуна потрібно закріплювати на ручках за допомогою кабельних фіксаторів, які вже прикріплені до ручки.

Щоб зафіксувати кабель на ручці:

- ◆ Встановіть ручки в робоче положення, див. розділ «Встановлення нижньої ручки».
- ◆ Простягніть кабель вгору по передній частині нижньої і верхньої ручок.
- ◆ Відтягніть назад кабельний фіксатор.
- ◆ Просуньте кабель двигуна під затиск і переконайтесь, що він повністю утримується на місці за допомогою фіксатора.

#### Мульчування

**Увага!** Вийміть ключ і акумуляторні батареї перед вийняттям насадки для бокового розвантаження і мішка для збору, а також при встановленні вставки для мульчування.

- ◆ Переконайтесь в тому, що насадка для бокового розвантаження і мішок для збору не встановлені.
- ◆ Підніміть задню кришку (9) і повністю просуньте вставку для мульчування в газонокосарку
- ◆ Перед увімкненням газонокосарки переконайтесь в тому, що задня кришка повністю закрита.

## Експлуатація

Перед початком роботи з газонокосаркою ознайомтеся з даним керівництвом з експлуатації. Див. розділ «Компоненти», щоб ознайомитися з розташуванням різних елементів керування і регулювання. Зберігайте цей посібник для використання в майбутньому.

**Увага!** Газонокосарка повинен працювати з рекомендованою швидкістю. Не перевантажуйте його.

**Увага!** Леза рухаються та є гострими. Не використовуйте газонокосарку в режимі бокового розвантаження або мульчування, якщо задні дверцята не закриті під дією натягу пружини, так як це може призвести до важких травм. Віднесіть газонокосарку в найближчий сервісний центр для ремонту.

## Регулювання висоти газонокосарки

Висота скошування регулюється за допомогою важеля регулювання висоти скошування.

**Примітка.** Якщо ви не впевнені, на якій висоті косити, почніть косити з важелем регулювання висоти (7) в правому положенні. При необхідності зменшіть висоту.

## Встановлення травозбірника (рис. F, G)

- ◆ Підніміть задню кришку (9), як показано на рисунку (F).
- ◆ Встановіть травозбірник (8) на газонокосарку так, щоб гачки травозбірника (8a) трималися на виступах (8b), як показано на рисунку (G). Потім опустіть задні дверцята.

## Запуск газонокосарки (рис. H)

**Увага!** Леза рухаються та є гострими. Ніколи не намагайтесь змінювати спосіб використання цього блоку перемикачів, тому що це може призвести до серйозних травм.

**Примітка.** Газонокосарка працює при встановленій батареї або батареях.

- ◆ Ваша газонокосарка оснащена спеціальним блоком перемикачів. Для експлуатації газонокосарки натисніть кнопку (1a) на блоці перемикачів (1), потім потягніть ручку-дужку (2) до рукоятки, як показано на рис. H. Як тільки газонокосарка запуститься, кнопку можна буде відпустити.
- ◆ Щоб вимкнути газонокосарку, просто відпустіть ручку-дужку.

**Увага!** В жодному разі не намагайтесь заблокувати перемикач або ручку-дужку (2) у ввімкненому положенні.

**Примітка.** Коли ручка-дужка повертається у вихідне положення, вона активує «Механізм автоматичного гальмування». Двигун буде загальмований електрикою, а лезо газонокосарки перестане обертатися через 3 секунди або навіть менше.

## Перевантаження косарки

Щоб уникнути пошкодження через перевантаження косарки, не скошуйте занадто багато трави за раз. Сповільніть швидкість скошування або підніміть висоту відрізання.

## Зберігання

**Увага!** Лезо, що обертається, може спричинити серйозні травми. Відпустіть ручку-дужку (2), щоб вимкнути газонокосарку, та витягніть батарею перед підніманням, транспортуванням або зберіганням газонокосарки. Зберігайте її у сухому приміщенні.

**Увага!** Щоб уникнути затиснення, при складанні ручок тримайте пальці подалі від області між ручками.

**Увага!** Переконайтесь, що шнур не розтягується і не затискається в з'єднаннях ручок під час складання. Це може призвести до пошкодження шнура.

Ручка косарки легко складається для швидкого і зручного зберігання.

## Перенесення косарки

- ◆ Косарку можна переносити за допомогою зручних ручок для перенесення (10). НЕ намагайтесь підняти косарку, тримаючись за верхню ручку (3) або за нижню ручку (4).

## Рекомендації щодо скошування

**Увага!** Завжди оглядайте місце, де буде використовуватись газонокосарка, та видаляйте всі камені, гілки, кабелі та інше сміття, яке може перешкоджати роботі леза, що обертається.

**Увага!** Рухайтесь вздовж схилу, але за жодних обставин не вгору або вниз. Будьте особливо уважні під час зміни напрямку скошування на схилі. Не скошуйте траву на занадто крутому схилі. Завжди стежте за положенням ніг.

- ◆ Відпускайте ручку-дужку, щоб вимкнути газонокосарку при переході через засипані гравієм доріжки (каміння може бути відкинуто лезом).
- ◆ Встановіть найбільше значення висоти скошування, коли необхідно скосити нерівну поверхню або високої бур'яни. Скошування занадто великої частини трави за один раз може призвести до перевантаження двигуна та його зупинки. Див. керівництво з усунення несправностей.
- ◆ Якщо під час скошування використовується травозбірник (8) в період швидкого росту трави, трава може накопичуватись біля отвору викидання трави. Відпустіть ручку-дужку, щоб вимкнути косарку та витягніть захисний ключ. Зніміть мішок для збирання трави та струсіть траву в його задню частину. Також приберіть траву або сміття біля отвору викидання трави. Замініть мішок для збирання трави.
- ◆ Якщо косарка почне аномально вібрувати, відпустіть

дужку запуску, щоб вимкнути косарку і витягнути захисний ключ. негайно перевірте причину. Вібрація є попередженням про проблему. Не використовуйте косарку до її перевірки. Див. керівництво з усунення несправностей у цьому документі.

- ◆ Завжди відпускайте ручку, щоб вимкнути косарку, якщо косарка залишається без нагляду протягом певного часу.

### Поради для оптимальної роботи

- ◆ Уповільнійте скошування в місцях, де трава особливо висока та густа.
- ◆ Уникайте скошування, коли трава мокра від дощу або просочена росюю.
- ◆ Часто підстригайте газон, особливо під час періодів швидкого зростання.

**Примітка.** Рекомендується заряджати косарку після використання для продовження терміну служби батареї. Часта зарядка не зашкодить батареї і забезпечить її повний заряд і готовність до наступного використання. Зберігання не повністю зарядженої батареї скоротить її термін служби.

### Зняття та встановлення ножа

**Увага!** При повторній збірці системи ножів переконайтеся, що кожна деталь встановлена правильно, як описано нижче.

Невірний монтаж ножа або інших деталей ріжучої системи може спричинити серйозну травму.

**Увага!** Відпустіть ручку-дужку, щоб вимкнути газонокосарку, дочекайтесь повної зупинки ножа та відключіть косарку від мережі.

- ◆ Відріжте шматок бруса 2x4 (14) (приблизно 610 мм), щоб запобігти повертанню ножа під час зняття болта (13).
- ◆ Використовуйте захисні рукавиці та відповідні засоби захисту очей.
- ◆ Поверніть газонокосарку на бік. Будьте обережні з гострими краями ножа. Розмістіть деревину і відкрутіть болт за допомогою 13 мм ключа (36), як показано на рис. I.
- ◆ Зверніть увагу на орієнтацію кожної деталі при її знятті. Зніміть болт (15) та шайбу (16). Витягніть ніж (17), як показано на рис. J. Огляньте всі деталі на предмет наявності пошкоджень та в разі потреби замініть.
- ◆ Ніж можна прикріпити до вентилятора (20) тільки в одному напрямку. Для повторного складання вирівняйте D-подібний отвір ножа з D-подібною стійкою вентилятора, забезпечивши таким чином, щоб напис на лицьовій стороні ножа був направлений в сторону від косарки.
- ◆ Щоб затягнути, розташуйте шматок деревини так, як показано на рис. K, щоб ніж не повертався. Просуньте

болт через шайбу і затягніть його за годинниковою стрілкою за допомогою 13 мм ключа (13), як показано на рис. K.

### Гостріння ножа

Для оптимальної продуктивності газонокосарки тримайте ніж гострим. Тупий ніж не зрізатиме траву чисто.

Використовуйте належні засоби захисту очей під час зняття, гостріння та встановлення ножа. Впевніться, що захисний ключ та батарея вийняті.

Двічі загострюйте ніж протягом сезону скошування трави, цього має бути достатньо за нормальних умов використання.

Пісок призводить до швидкого затуплення леза. Якщо ваш газон посаджений на піщаному ґрунті, необхідно загострювати лезо частіше.

**Примітка.** негайно замініть зігнутий або пошкоджений ніж.

Загострення ножа:

- ◆ Забезпечуйте збереження балансування ножа.
- ◆ Загострюйте ніж таким чином, щоб зберегти кут первісної ріжучої кромки.
- ◆ Загострюйте ріжучі кромки з обох кінців ножа, знімаючи однакову кількість металу з кожного кінця.

### Загострення ножа в лещатах (рис. L)

- ◆ Перед зняттям ножа переконайтеся, що ручка-дужка відпущена, ніж зупинився і газонокосарка відключена від мережі.
- ◆ Зніміть ніж з газонокосарки. Дивіться інструкції із зняття та встановлення ножа.
- ◆ Затисніть ніж (17) в лещатах.
- ◆ Використовуйте належні засоби захисту очей та рукавиці та будьте обережні, щоб не порізатися. Ретельно загостріть ріжучу кромку ножа дрібним напилком або точильним каменем, зберігаючи кут первісної ріжучої кромки. Перевірте балансування ножа. Дивіться інструкції з балансування ножа.
- ◆ Установіть ніж на газонокосарці та надійно затягніть.

### Балансування ножа

Перевірте баланс ножа (17), вставивши в центральний отвір ножа цвях або викрутку з круглим жалом, що закріплені в лещатах горизонтально. Якщо один з кінців ножа обертається донизу, зніміть метал вздовж гострої кромки сторони, яка нахилилась донизу. Ніж вважається належним чином збалансованим тоді, коли жоден з кінців не обертається донизу.

### Змащування

Пристрій не вимагає змащування. Не змащуйте колеса. Вони оснащені пластиковими підшипниками, що не вимагають змащування.



### Очищення

Відпустіть ручку-дужку (2), щоб вимкнути косарку, та дайте ножу зупинитись. Використовуйте лише м'який мильний розчин та вологу ганчірку для очищення косарки. Очистіть нижню сторону косарки від обрізків трави, які могли там накопичитись. Після кількох використань перевіряйте затягнення всіх з'єднань.

### Запобігання корозії

Добрива та інші хімічні сполуки, що використовуються в саду, містять речовини, що можуть збільшити ймовірність корозії металу. Якщо ви скошуєте траву в місцях, де використовуються добрива та інші хімічні речовини, необхідно відразу після скошування очистити косарку наступним чином: Відпустіть ручку-дужку (2), щоб вимкнути косарку, і відключіть її від мережі. Протріть усі зовнішні поверхні вологою ганчіркою.

### Технічне обслуговування

Ваш пристрій з кабелем або без нього виробництва компанії BLACK+DECKER призначений для роботи протягом довгого часу з мінімальним обслуговуванням. Тривала задовільна робота інструмента залежить від відповідного обслуговування інструмента/пристрою та регулярного очищення.

**Увага!** Перед виконанням будь-якого технічного обслуговування інструмента зі шнуром живлення або без нього виконайте такі дії.

- ◆ Вимкніть інструмент та відключіть його від мережі живлення.
- ◆ Або повністю розрядіть акумулятор, якщо пристрій має вбудований акумулятор, а потім вимкніть інструмент.
- ◆ Витягніть зарядний пристрій з розетки перед очищенням. Зарядний пристрій не вимагає технічного обслуговування, потрібно лише виконувати регулярне очищення.
- ◆ Регулярно очищуйте вентиляційні отвори інструмента/пристрою та зарядного пристрою, використовуючи м'яку щітку або суху тканину.
- ◆ Регулярно очищайте корпус двигуна вологою ганчіркою. Не використовуйте абразивні очищувачі та засоби, що містять розчинники.
- ◆ Регулярно використовуйте тупий шкребок для видалення трави та бруду з-під захисного кожуха.

### Пошук та усунення несправностей

Якщо вам здається, що пристрій працює невірно, виконайте інструкції, що наводяться нижче.

Якщо вам не вдалося вирішити проблему, будь ласка, зверніться до сервісного центру компанії BLACK+DECKER.

**Увага!** Відпустіть дужку, щоб вимкнути газонокосарку, та дочекайтесь повної зупинки ножа.

Проблема	Можливе рішення
Косарка не працює при активації ручки-дужки.	Перш ніж потягнути за ручку-дужку, переконайтеся в тому, що косарка належним чином підключена до мережі і що кнопка на блоці перемикачів повністю натиснута.
	Відпустіть дужку запуску, щоб вимкнути косарку. Вийміть батарею, перевірте косарку та перевірте, що ножі можуть вільно повертатися.
	Перевірте, що батарейний відсік вільний від сміття, а акумулятор підключено вірно.
	Чи повністю заряджений акумулятор? Натисніть кнопку стану заряду.
Двигун зупиняється під час руху	Відпустіть дужку запуску, щоб вимкнути косарку. Вийміть батарею, перевірте косарку та перевірте, що ножі можуть вільно повертатися.
	Підніміть висоту коліс на максимально високе положення та вимкніть косарку.
	Перевірте, що батарейний відсік вільний від сміття, а батарею підключено вірно.
	Чи повністю заряджений акумулятор? Натисніть кнопку стану заряду.
Косарка працює, але продуктивність відрізання незадовільна,	Відпустіть дужку запуску, щоб вимкнути косарку. Відключіть косарку від мережі. Переверніть косарку та перевірте наступне: <ul style="list-style-type: none"> <li>◆ Гострота ножа – підтримуйте ніж гострим.</li> <li>◆ Днище та вихідний жолоб на наявність засмічення.</li> </ul>
	Встановлена занадто мала висота коліс для даного стану газону. Підніміть висоту зрізання.
Косарка важко перемищується	Відпустіть дужку запуску, щоб вимкнути косарку. Відключіть косарку від мережі. Підніміть висоту зрізання, щоб зменшити волопіння днища по траві. Перевірте кожне колесо на вільне обертання
Газонокосарка видає сильний шум та вібрацію	Відпустіть ручку-дужку, щоб вимкнути косарку, і вийміть батарею. Переверніть косарку на бік та перевірте, що ніж не зігнувся та не пошкодився. Якщо ніж пошкоджений, замініть його на інший ніж BLACK+DECKER. Якщо пошкоджено днище, віднесіть косарку в офіційний сервісний центр BLACK+DECKER.
	Якщо відсутні видимі пошкодження ножа, але косарка все ж вібрає: <ul style="list-style-type: none"> <li>◆ Відпустіть дужку запуску, щоб вимкнути косарку.</li> <li>◆ Вийміть батарею.</li> <li>◆ Розберіть весь вузол ножа, як описано в розділі «Зняття та встановлення ножа».</li> <li>◆ Приберіть сміття та очистіть кожну деталь.</li> <li>◆ Замініть кожну деталь, як описано в розділі «Зняття та встановлення ножа».</li> </ul>
	Якщо косарка продовжує вібрувати, віднесіть її в офіційний сервісний центр BLACK+DECKER.
Світлодіоди зарядного пристрою не вмикаються.	Перевірте підключення штекера.
	Замініть зарядний пристрій.
Газонокосарка не збирає скошену траву у мішок.	Вихідний жолоб засмічений. Відпустіть дужку запуску, щоб вимкнути косарку. Вийміть батарею. Очистіть вихідний жолоб від скошеної трави.
	Відрегулюйте висоту коліс, зменшуючи висоту зрізання.
	Травозбірник заповнений. Очищуйте травозбірник частіше.



## Захист навколишнього середовища



Роздільний збір. Пристрої та батареї, позначені цим символом, не можна викидати зі звичайним побутовим сміттям.

Пристрої та батареї містять матеріали, які можна відновити та переробити, що зменшить потребу у сировині. Будь ласка, віддавайте електричні інструменти та батареї на переробку відповідно до місцевих постанов. Більш детальну інформацію можна отримати на сайті [www.2helpU.com](http://www.2helpU.com)

## Технічні характеристики

		BSMW3318	BSMW3336
Напруга	В пост. струму	18 В	36 В
Швидкість без навантаження	хв. <sup>-1</sup>	3800 об/хв.	3800 об/хв.
Маса	кг	15	15
Довжина ножа	мм	31	31

Батареї				Зарядний пристрій (хвилини)					
Код. №	В пост. струму	Зв. напруженість	Маса (кг)	Код. №	905928P*	NS1738P*	BDC1A	BDC2A	BDC3A36
				A	400 mA	1A	1A	2A	1,35A
BL1518	18	1,5	0,38	BL1518	225	90	90	45	X
BL1518ST	18	1,5	0,38	BL1518ST	225	90	90	45	X
BL2018	18	2,0	0,39	BL2018	300	120	120	60	X
BL2018ST	18	2,0	0,39	BL2018ST	300	120	120	60	X
BL2518	18	2,5	0,43	BL2518	380	150	150	75	X
BL4018	18	4,0	0,64	BL4018	600	240	240	120	X
BL5018	18	5,0	0,7	BL5018	750	300	300	135	X
BL20362	36	2,0	0,64	BL20362	X	X	X	X	90
BL2536	36	2,5	0,68	BL2536	X	X	X	X	110
BL1554	18/54	1,5	1,08	BL1554	225	90	90	45	X
BL2554	18/54	2,5	1,2	BL2554	380	150	150	75	X

Зважене значення вібрації, що передається на руки:  
 $= < 2,5 \text{ м/с}^2$ , похибка (K) = 1,5 м/с<sup>2</sup>.

$L_{\text{эк}}$  (звуковий тиск) 74,5 дБ(A)  
 похибка (K) = 2,5 дБ(A)

$L_{\text{WA}}$  (акустична потужність) 86 дБ(A)  
 похибка (K) = 1,5 дБ(A)

**Декларація про відповідність нормам ЄС ДИРЕКТИВА ДЛЯ МЕХАНІЧНОГО ОБЛАДНАННЯ ДИРЕКТИВА ПРО ШУМИ, ЩО ВИНИКАЮТЬ ПОЗА ПРИМІЩЕННЯМИ**



Газонокосарка BSMW3318, BSMW3336

Компанія Black & Decker заявляє, що продукти, описані в розділі «Технічні характеристики» відповідають: 2006/42/EC, EN 60335-1:2012 + A11:2014, EN 60335-2-77:2010

2000/14/EC, газонокосарка, L < 50 см, Додаток VI, DEKRA Certification B.V. Meander 1051/P.O. 5185 6825 MJ ARNHEM / 6802 ED ARNHEM, Нідерланди Ідентифікаційний № уповноваженого органу: 0344 Рівень акустичної потужності відповідно до 2000/14/EC (Стаття 12, Додаток III, L < 50 см):

$L_{\text{м}}$  (виміряна акустична потужність) 86 дБ(A)  
 похибка (K) = 1,5 дБ(A)

$L_{\text{г}}$  (гарантована акустична потужність) 96 дБ(A)

Ці продукти також відповідають вимогам Директив 2014/30/EU і 2011/65/EU. Для отримання додаткової інформації зверніться до компанії Black & Decker за наступною адресою або прочитайте інформацію на зворотній стороні цього посібника.

Особа, яка підписалася нижче, несе відповідальність за упорядкування файлу технічних характеристик та робить цю заяву від компанії Black & Decker.

Бенкі Котсворт  
 Директор Outdoor Products Group  
 Black & Decker Europe, 270 Bath Road, Slough,  
 Berkshire, SL1 4DX  
 United Kingdom (Великобританія)

## Гарантія

Компанія Black & Decker впевнена у якості своєї продукції та пропонує споживачам гарантію терміном 24 місяці з дати покупки. Ця гарантія 75 доповнює і жодним чином не обмежує ваші законні права. Ця гарантія є чинною на території країн-членів Європейського Союзу та в європейській зоні вільної торгівлі.

Позов за гарантією повинен відповідати умовам компанії Black & Decker, при цьому вам необхідно надати доказ купівлі продавцю або спеціалісту офіційного сервісного центру. Про умови 2-річної гарантії компанії Black & Decker та місцезнаходження найближчого сервісного центру можна дізнатися в інтернеті на сайті [www.2helpU.com](http://www.2helpU.com) або звернутися до місцевого

**УКРАЇНСЬКА**

(переклад з оригінальної інструкції)

представництва компанії Black & Decker за адресою, вказаною у цьому керівництві.

Відвідайте наш сайт [www.blackanddecker.ua](http://www.blackanddecker.ua), щоб зареєструвати свій новий продукт Black & Decker та отримувати інформацію про нові продукти та спеціальні пропозиції.



Виробник:  
"Stanley Black & Decker Deutschland  
GmbH" Black-&-Decker Str.40, D-65510  
Idstein, Німеччина



ГАРАНТІЙНИЙ ТАЛОН

**2 РОКИ  
ГАРАНТІЇ**

1. Вітаємо Вас з покупкою високоякісного виробу Black+Decker і висловлюємо вдячність за Ваш вибір.
2. При покупці виробу вимагайте перевірки його комплектності і справності у Вашій присутності, інструкцію з експлуатації та заповнений гарантійний талон українською мовою. В гарантійному талоні повинні бути внесені: модель, дата продажу, серійний номер, дата виробництва інструменту, назва, печатка і підпис торгової організації. За відсутності у Вас правильно заповненого гарантійного талону, а також при невідповідності зазначених у ньому даних ми будемо змушені відхилити Ваші претензії щодо якості даного виробу.
3. Щоб уникнути непорозумінь, переконливо просимо Вас перед початком роботи з виробом уважно ознайомитися з інструкцією з його експлуатації. Правовою основою справжніх гарантійних умов є чинне законодавство. Гарантійний термін на даний виріб складає 24 місяці і обчислюється з дня продажу. У разі усунення недовліків виробу, гарантійний строк продовжується на період його перебування в ремонті. Термін служби виробу становить 5 років з дня продажу.
4. У разі виникнення будь-яких проблем у процесі експлуатації виробу рекомендуємо Вам звертатися тільки в уповноважені сервісні центри Black+Decker, адреси та телефони яких Ви зможете знайти в гарантійному талоні, на сайті [www.2helpU.com](http://www.2helpU.com) або дізнатися в магазині. Наші сервісні станції - це не тільки кваліфікований ремонт, але і широкий асортимент запчастин і аксесуарів.
5. Виробник рекомендує проводити періодичну перевірку у технічне обслуговування виробу в уповноважених сервісних центрах.
6. Наші гарантійні зобов'язання поширюються тільки на несправності, виявлені протягом гарантійного терміну і викликані дефектами виробництва та \ або матеріалів.
7. Гарантійні умови не поширюються на несправності виробу, що виникли в результаті:
  - 7.1. Недотримання користувачем приписів інструкції з експлуатації виробу, застосування виробу не за призначенням, неправильного зберігання, використання приладдя, витратних матеріалів і запчастин, що не передбачені виробником.
  - 7.2. Механічного пошкодження (відколи, тріщини і руйнування) внутрішніх і зовнішніх деталей виробу, основних і допоміжних рукояток, мережевого кабелю, що викликані зовнішнім ударним або будь-яким іншим впливом
  - 7.3. Потраплення у вентиляційні отвори та проникнення всередину виробу сторонніх предметів, матеріалів або речовин, що не є відходами, які супроводжують застосування виробу за призначенням, такими як: стружка, тирса, пісок, та ін.
  - 7.4. Впливу на виріб несприятливих атмосферних і інших зовнішніх факторів, таких як дощ, сніг, підвищена вологість, нагрівання, агресивні середовища, невідповідність параметрів електромережі, що зазначені на інструменті.
  - 7.5. Стихійного лиха. Пошкодження або втрати виробу, що пов'язані з непередбаченими лихами, стихійними явищами, у тому числі внаслідок дії непереборної сили (пожежа, блискавка, потоп і інші природні явища), а також внаслідок перепадів напруги в електромережі та іншими причинами, які знаходяться поза контролем виробника.
8. Гарантійні умови не поширюються:
  - 8.1. На інструменти, що піддавались розкриттю, ремонту або модифікації поза уповноваженим сервісним центром.
  - 8.2. На деталі, вузли та матеріали, що мають сліди природного зносу, такі як: приводні ремені і колеса, вугільні щітки, мастило, підшипники, зубчасті зчеплення редукторів, гумові ущільнення, сальники, направляючі ролики, муфти, вимикачі, бойки, штовхачі, стволи тощо.
  - 8.3. На змінні частини: патрони, цанги, затискні гайки і фланці, фільтри, ножі, шліфувальні підшви, ланцюги, зірки, пильні шини, захисні кожухи, пилки, абразиви, пильні і абразивні диски, фрези, свердла, бури тощо
  - 8.4. На несправності, що виникли в результаті перевантаження інструменту (як механічного, так і електричного), що спричинили вихід з ладу одночасно двох і більше деталей і вузлів, таких як: ротора і статора, обох обмоток статора, веденої і ведучої шестерень редуктора або інших вузлів і деталей. До безумовних ознак перевантаження виробу відносяться, крім інших: поява кольорів мільності, деформація або оплавлення деталей і вузлів виробу, потемніння або обуглювання ізоляції проводів електродвигуна під впливом високої температури.

Товар отриманий в справному стані, без видимих ушкоджень, в повній комплектації, перевірений у моєї присутності, претензій щодо якості товару не маю. З умовами гарантійного обслуговування ознайомлений і згоден.

П. І. Б. та підпис власника \_\_\_\_\_

**Шановні клієнти, наша мережа авторизованих сервісних центрів постійно розширюється. Актуальну інформацію про обслуговування в місті, що цікавить вас, ви можете дізнатися на сайті**

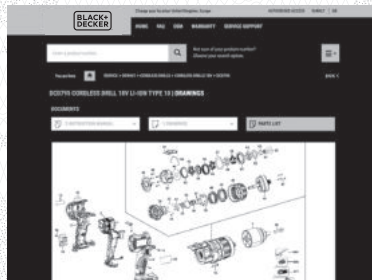
**[www.2helpU.com](http://www.2helpU.com)**

Редакція ВК/16-04-2018

Інформація про інструмент		М.П. Продавця	Серійний номер/Дата виробництва	
Найменування інструменту			Інструмент	
Модель			Зарядний пристрій	
Найменування продавця			Акумулятор 1	
Дата продажу		Акумулятор 2		

На сайті [www.2helpU.com](http://www.2helpU.com) доступні наступні функції:

- Список авторизованих сервісних центрів
- Зручний пошук найближчого сервісного центру
- Керівництво з експлуатації
- Технічні характеристики
- Список деталей і запасних частин
- Схема складання інструменту



Також дану інформацію ви можете отримати, зателефонувавши за номером:  
**0 (800) 211 521 в Україні**

**ВІДМІТКА ПРО ПРОВЕДЕННЯ СЕРВІСНОГО ОБСЛУГОВУВАННЯ**

№1	№2	№3	№4
№ замовлення	№ замовлення	№ замовлення	№ замовлення
Дата прийому	Дата прийому	Дата прийому	Дата прийому
Дата ремонту	Дата ремонту	Дата ремонту	Дата ремонту
Печатка і підпис сервісного центру	Печатка і підпис сервісного центру	Печатка і підпис сервісного центру	Печатка і підпис сервісного центру

