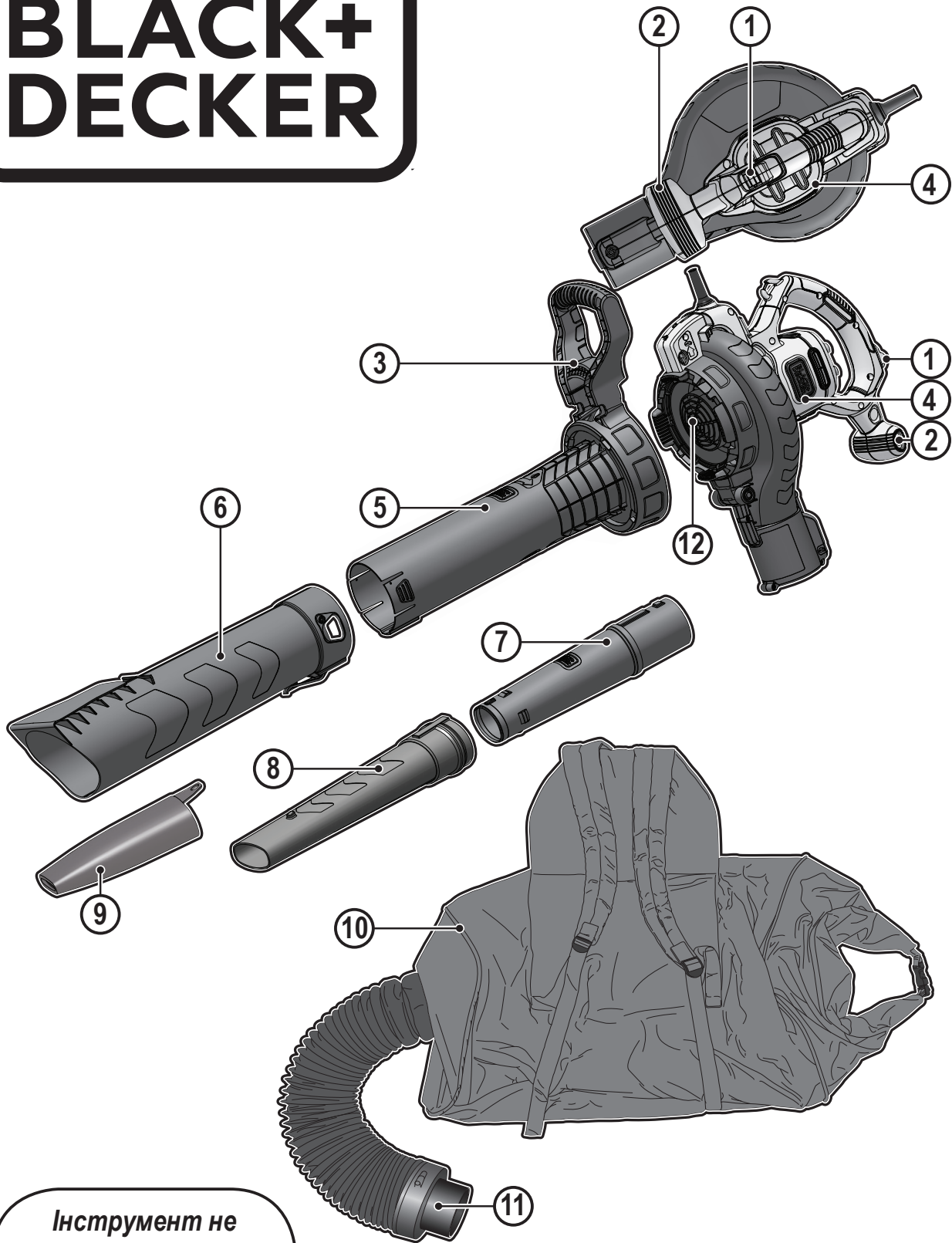


# BLACK+ DECKER



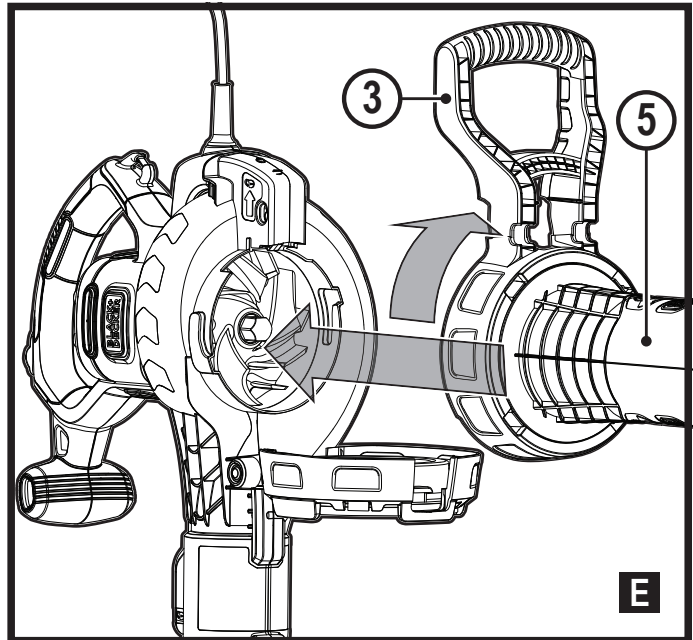
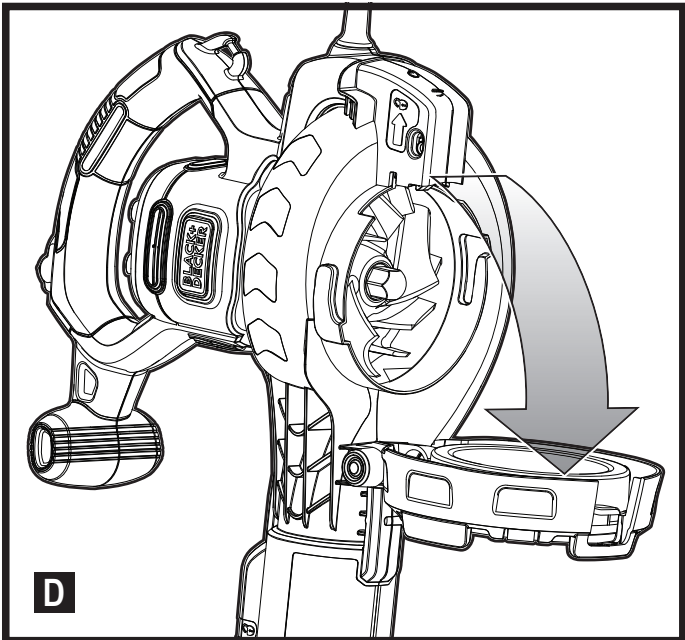
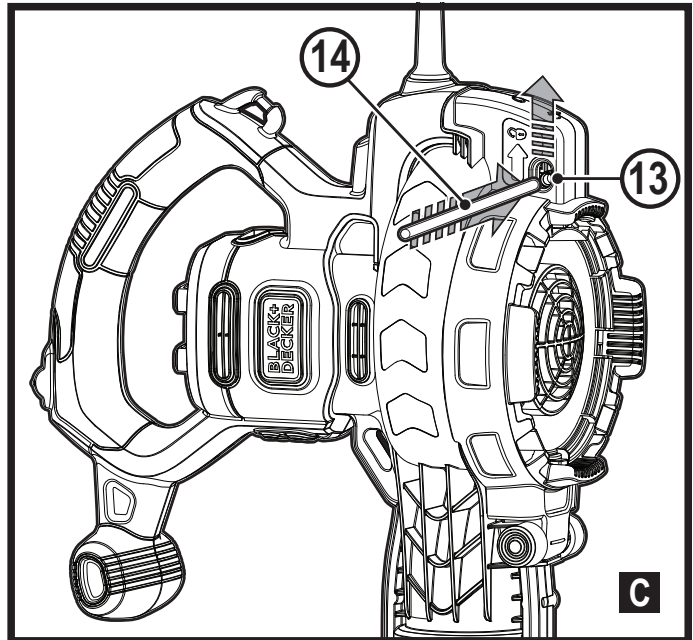
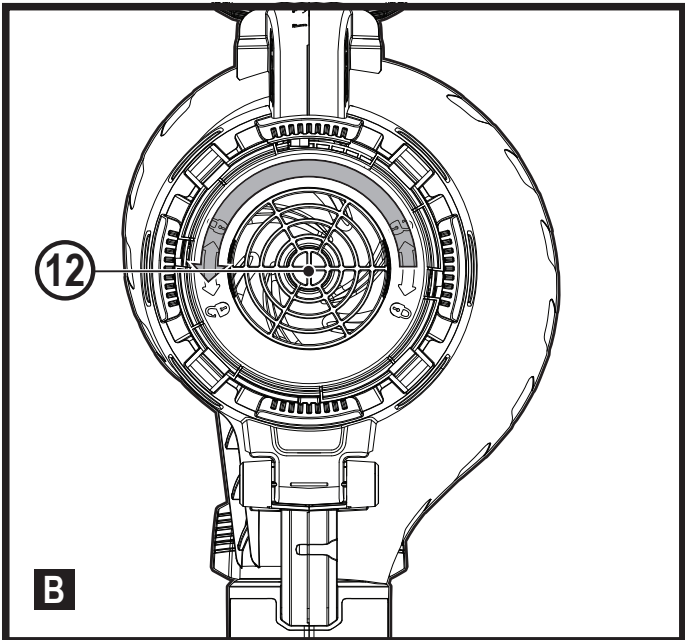
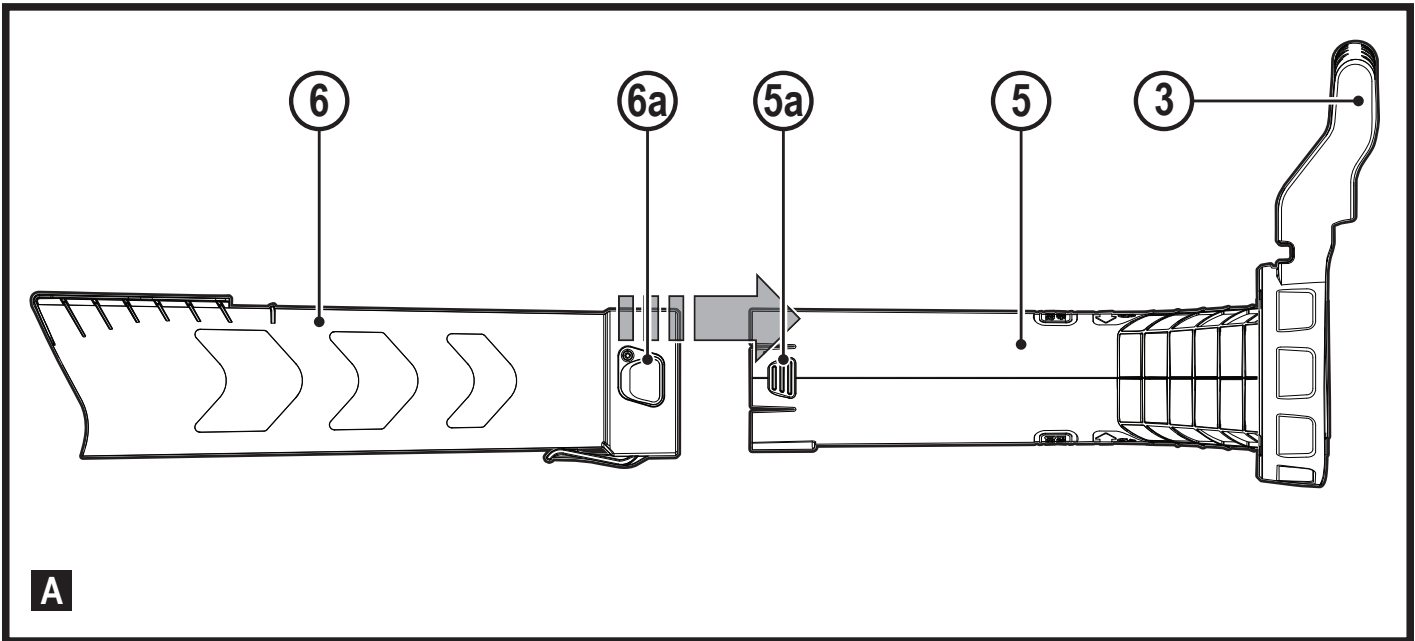
*Інструмент не  
призначений для  
професійного  
використання.*

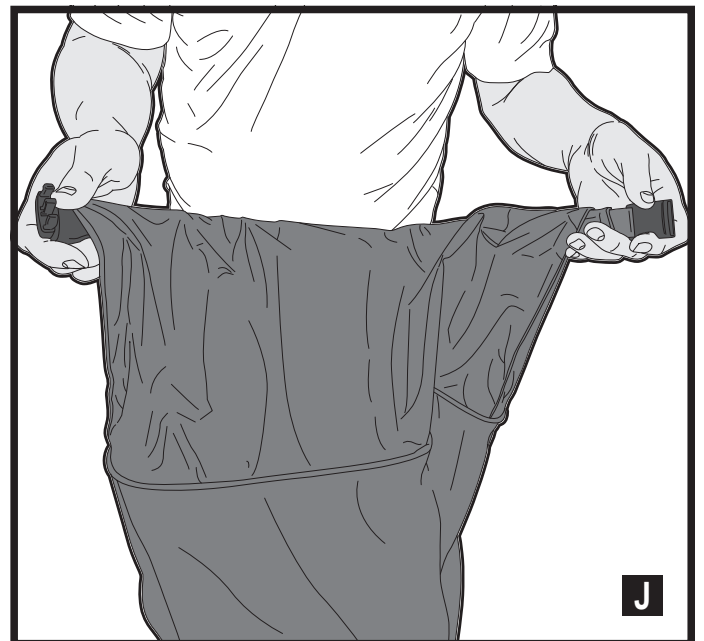
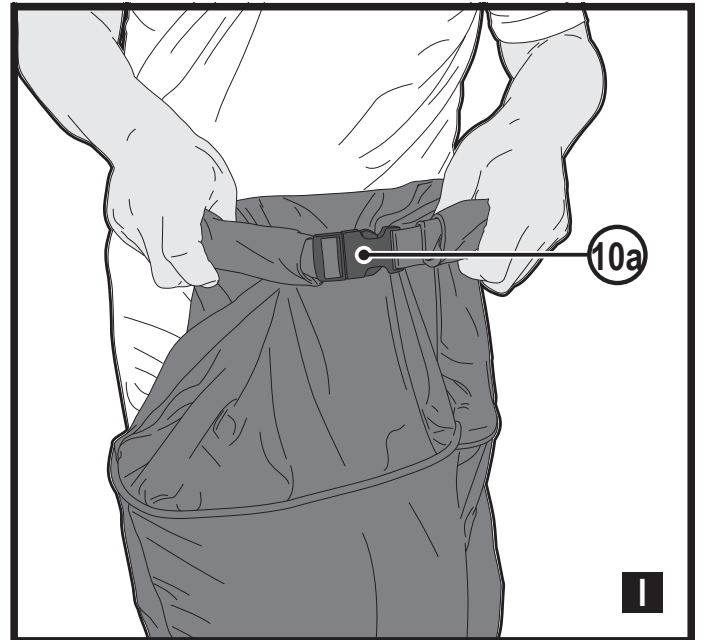
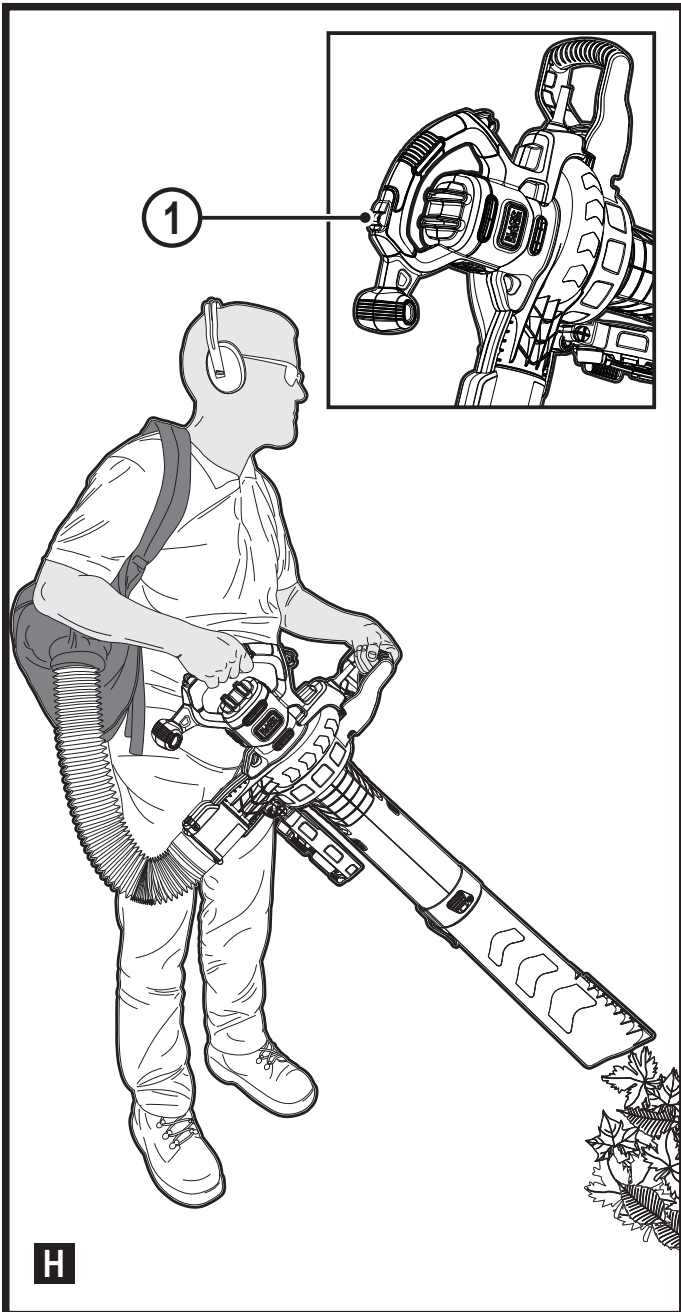
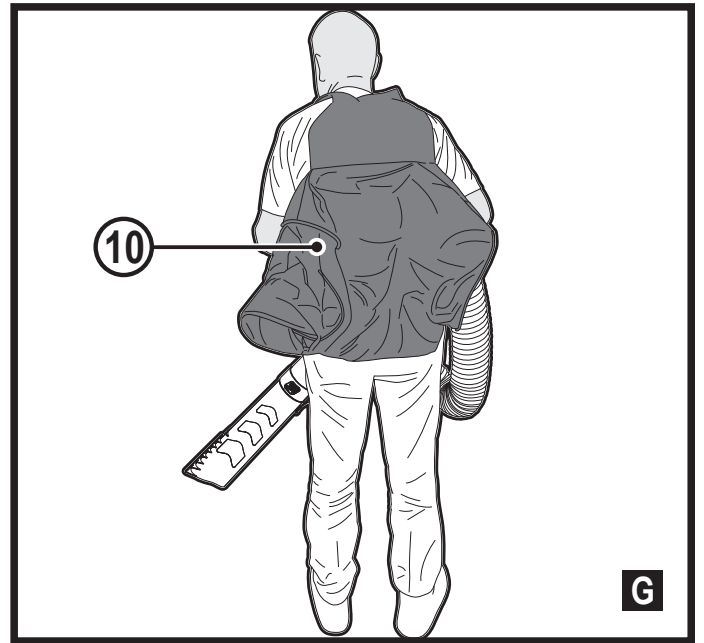
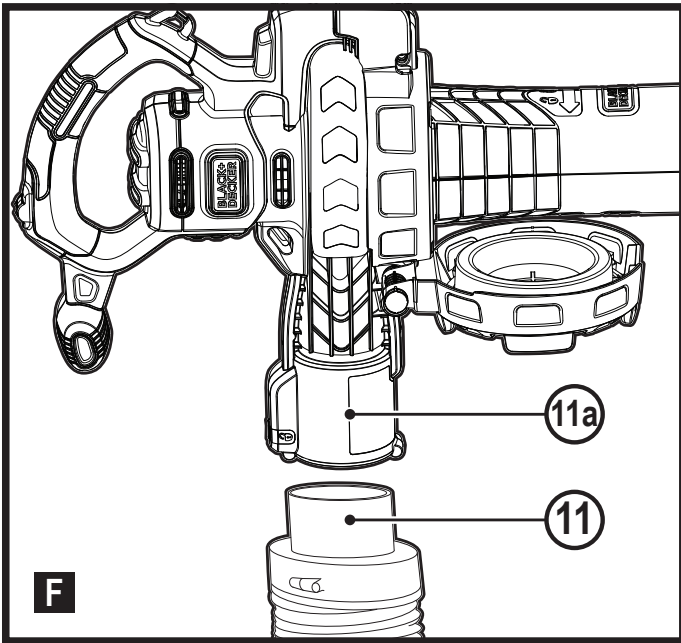
Переклад оригінальних інструкцій

[www.blackanddecker.eu](http://www.blackanddecker.eu)

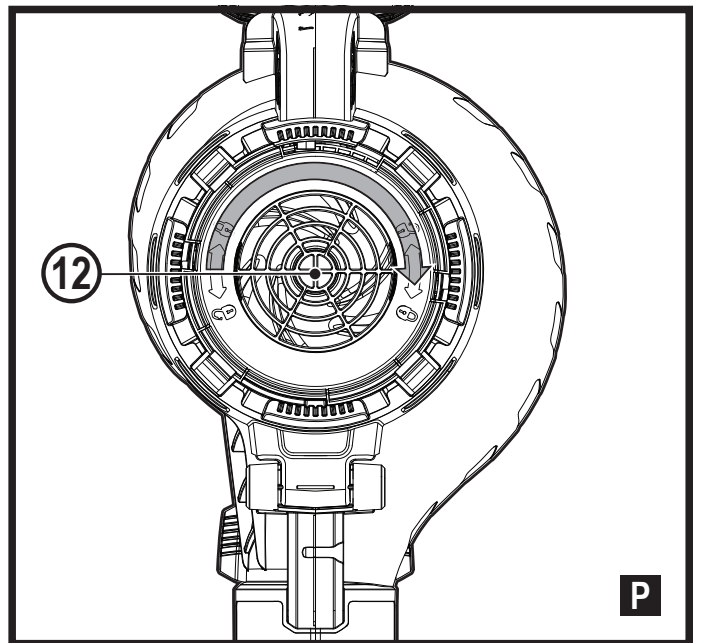
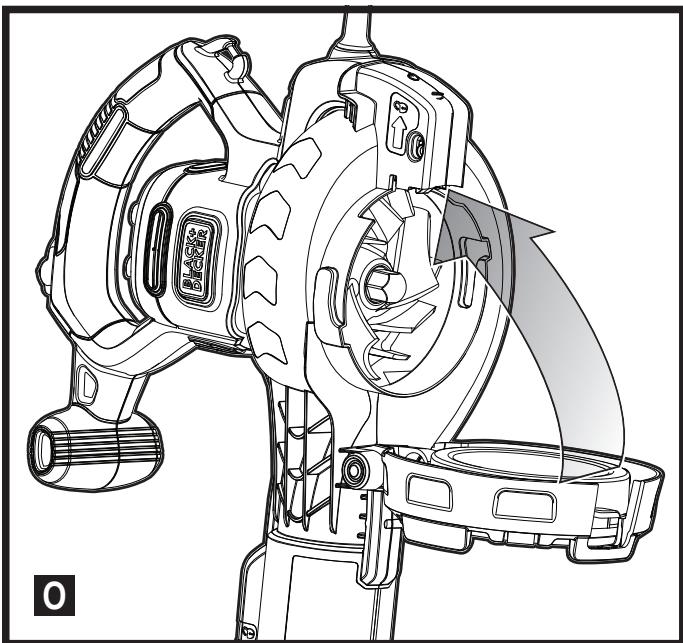
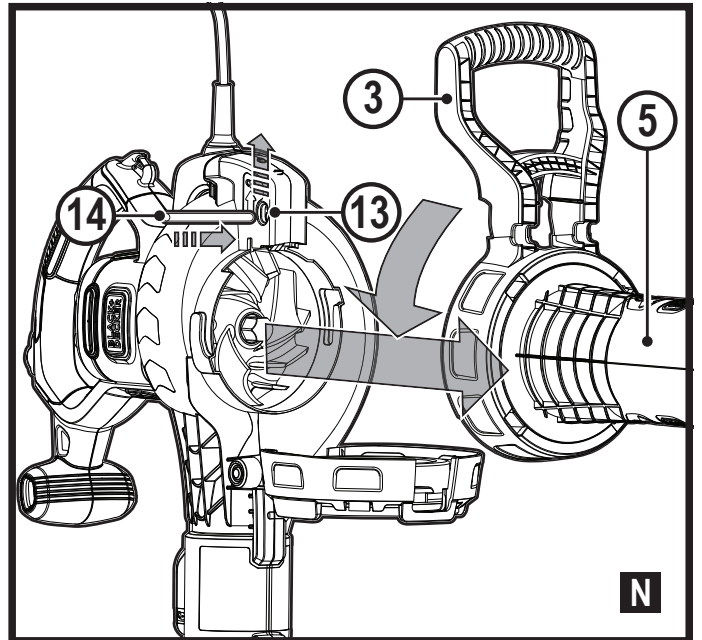
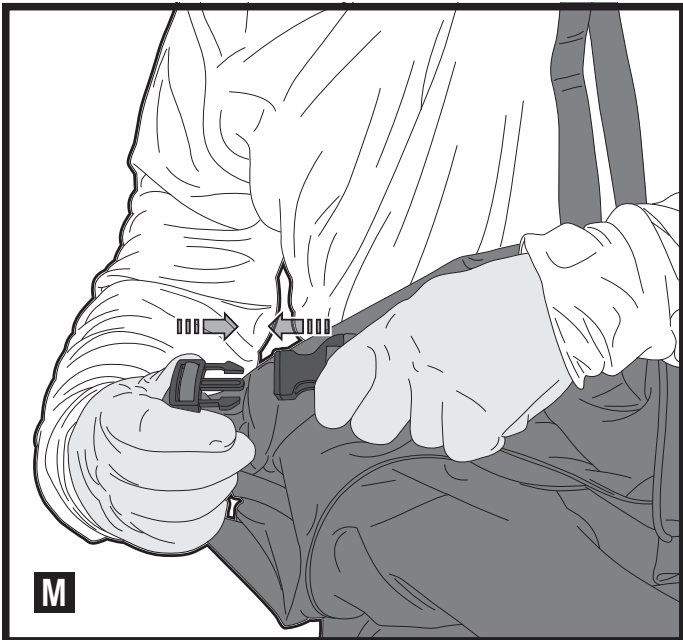
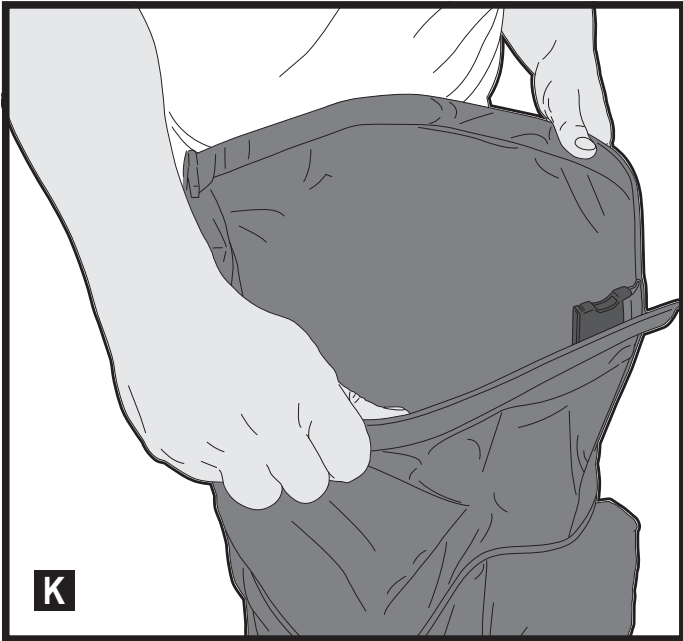
**BEBLV290**  
**BEBLV300**

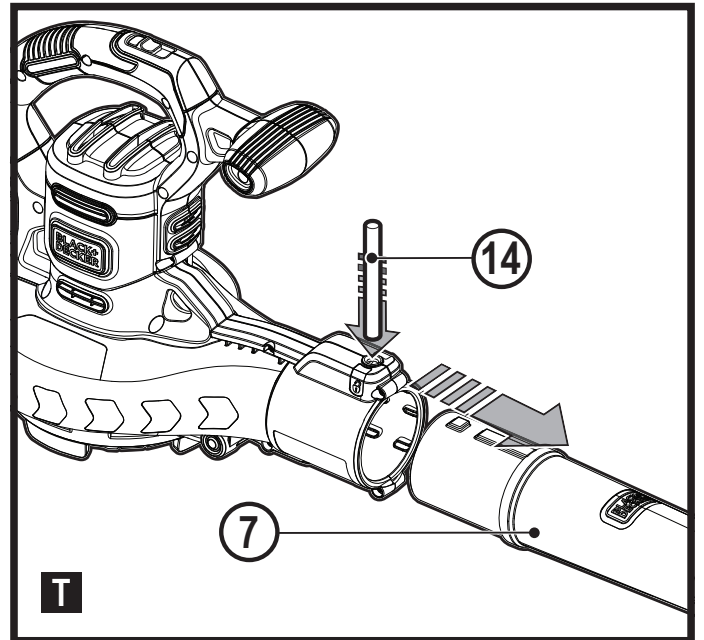
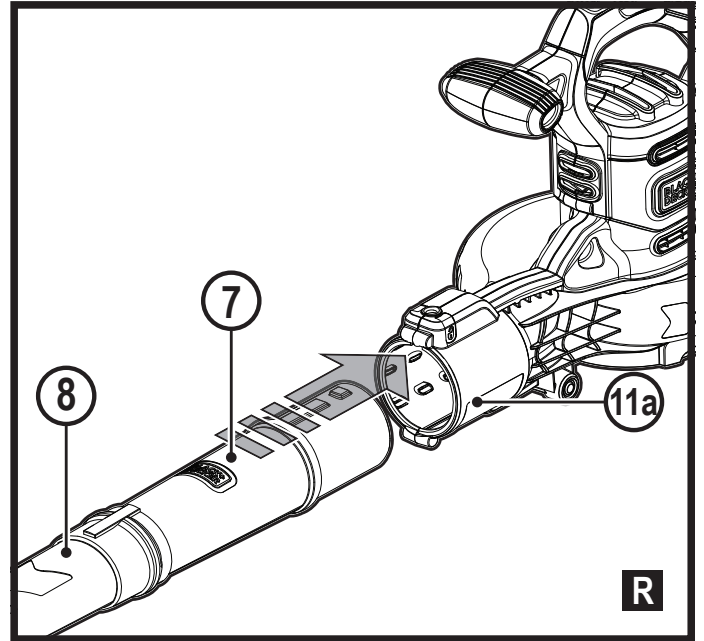
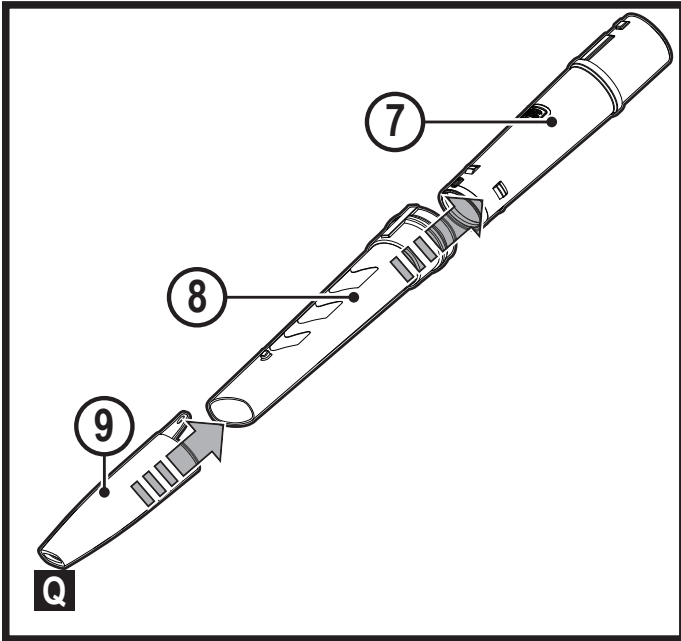
English	(Original instructions)	7
Українська	(Переклад оригінальних інструкцій)	17











### Intended use

Your BLACK+DECKER™ BEBLV290, BEBLV300 blower vacs have been designed for leaf clearing. These appliances are intended for consumer and outdoor use only.

## General appliance safety warnings

**Warning!** When using mains powered/cordless appliances, basic safety precautions, including the following, should always be followed to reduce the risk of fire, electric shock, personal injury and material damage.

- ◆ Read all of this manual carefully before using the appliance, be familiar with the controls and the proper use of the appliance.
- ◆ The intended use is described in this manual. The use of any accessory or attachment or the performance of any operation with this appliance other than those recommended in this instruction manual may present a risk of personal injury.

The term "appliance" in all of the warnings listed below refers to your mains operated (corded) appliance or battery operated (cordless) appliance.

Save all warnings and instructions for future reference.

## Save all warnings and instructions for future reference.

### Using your appliance

- ◆ Always take care when using the appliance.
- ◆ Keep work area clean and well lit. Cluttered or dark areas invite accidents.
- ◆ Only use the appliance in daylight or good artificial light.
- ◆ Do not operate your appliance in explosive atmospheres, such as in the presence of flammable liquids, gases or dust.
- ◆ Never allow children or people unfamiliar with the instructions to use the appliance, local regulations may restrict the age of the operator.
- ◆ Do not allow children or animals to come near the work area or touch the appliance supply cord.
- ◆ Keep children, bystanders and animals away while operating an appliance.  
Distractions can cause you to lose control.
- ◆ The appliance is not to be used as a toy.

- ◆ Do not immerse the appliance in water.
- ◆ Do not open body casing. There are no user serviceable parts inside.

## **Personal safety**

- ◆ Stay alert, watch what you are doing and use common sense when operating an appliance. Do not use an appliance while you are tired or under the influence of drugs, alcohol or medication. A moment of inattention while operating an appliance may result in serious personal injury.
- ◆ Where required, use personal protective equipment.
- ◆ Protective equipment such as eye protection, dust mask, non-skid safety shoes, hard hat, or hearing protection used for appropriate conditions will reduce personal injuries.
- ◆ Prevent unintentional starting. Make sure that the switch is in the off position before connecting to a power source and/or battery pack, picking up or carrying the appliance.

Carrying appliances with your finger on the switch or energising appliances that have the switch on invites accidents.

- ◆ Do not overreach. Keep proper footing and balance at all times. This enables better control of the appliance in unexpected situations.
- ◆ Dress properly. Do not wear loose clothing or jewellery. Keep your hair, clothing and gloves away from moving parts. Loose clothes, jewellery or long hair can be caught in moving parts.

## **Appliance use and care**

- ◆ Before use, check the appliance for damaged or defective parts. Check for breakage of parts, damage to switches and any other conditions that may affect its operation.
- ◆ Do not use the appliance if the switch does not turn it on and off. Any appliance that cannot be controlled with the switch is dangerous and must be repaired.
- ◆ Disconnect the plug from the power source and/or the battery



pack from the appliance before making any adjustments, changing accessories, or storing appliances. Such preventive safety measures reduce the risk of starting the appliance accidentally.

- ◆ Where applicable, keep cutting tools sharp and clean. Properly maintained cutting tools with sharp cutting edges are less likely to bind and are easier to control.
- ◆ Do not use the appliance if any part is damaged or defective.
- ◆ Have any damaged or defective parts repaired or replaced by an authorised repair agent.
- ◆ Never attempt to remove or replace any parts other than those specified in this manual.

## Electrical safety

- ◆ Appliance plugs must match the outlet. Never modify the plug in any way. Do not use any adapter plugs with earthed (grounded) appliance. Unmodified plugs and matching outlets will reduce risk of electric shock.

- ◆ Do not expose appliance to rain or wet conditions. Water entering a appliance will increase the risk of electric shock.
- ◆ Do not abuse the cord. Never use the cord for carrying, pulling or unplugging the appliance. Keep cord away from heat, oil, sharp edges or moving parts. Damaged or entangled cords increase the risk of electric shock.
- ◆ When operating an appliance outdoors, use an extension cord suitable for outdoor use. Use of a cord suitable for outdoor use reduces the risk of electric shock.
- ◆ If operating an appliance in a damp location is unavoidable, use a Residual Current Device (RCD) protected supply. Use of an RCD reduces the risk of electric shock.

## After Use

- ◆ When not in use, the appliance should be stored in a dry, well ventilated place out of the reach of children.



- ◆ Children should not have access to stored appliances.
- ◆ When the appliance is stored or transported in a vehicle it should be placed in the boot or restrained to prevent movement following sudden changes in speed or direction.

## Service

- ◆ Have your appliance serviced by a qualified repair person using only identical replacement parts. This will ensure that the safety of the appliance is maintained.

## Additional Safety instructions for blow vacs

The intended use is described in this manual. The use of any accessory or attachment or performance of any operation with this appliance other than those recommended in this instruction manual can present a risk of personal injury and/or damage to property.

- ◆ To protect your feet and legs while operating the appliance, always wear heavy duty footwear and long trousers.
- ◆ Do not use in vacuum mode without the vacuum tubes and collection bag in place.
- ◆ Always switch off your product, allow the fan to stop and remove the plug from the socket when:
  - ◆ Changing from blower to vacuum.
  - ◆ The supply cable has become damaged or entangled.
  - ◆ You leave your product unattended.
  - ◆ Clearing a blockage.
  - ◆ Checking, adjusting, cleaning or working on your product.
  - ◆ If the appliance starts to vibrate abnormally.
- ◆ Do not place the inlet or outlet of the vacuum near eyes or ears when operating.
- ◆ Never blow debris in the direction of bystanders.
- ◆ Do not use in the rain or leave outdoors while it is raining.
- ◆ Do not cross gravel paths or roads whilst your product is switched on during blow/vac mode.
- ◆ Walk, never run.

- ◆ Do not place your unit down on gravel while it is switched on.
- ◆ Always be sure of your footing, particularly on slopes.
- ◆ Do not overreach and keep your balance at all times.
- ◆ Do not pick up matter that may be contaminated with flammable or combustible liquids such as gasoline, or use in areas where they might be present.
- ◆ Do not place any objects into the openings. Never use if the openings are blocked - keep free of hair, lint, dust and anything that may reduce the airflow.

**Warning!** Always use your product in the manner outlined in this manual.

- ◆ Your product is designed to be used in an upright mode and if it is used in any other way it may result in injury. Never run your product whilst lying on it's side or upside down.
- ◆ The operator or user is responsible for accidents or hazards occurring to other people or their property.
- ◆ Do not carry the appliance by the cable.

- ◆ Always direct the cable to the rear away from the appliance.

**Warning!** If a cord becomes damaged during use, disconnect the supply cord from the mains supply immediately.

Do not touch the supply cord before disconnecting the supply.

- ◆ Do not use solvents or cleaning fluids to clean your product. Use a blunt scraper to remove grass and dirt.
- ◆ Check the collection bag frequently for wear or deterioration.
- ◆ Replacement fans are available from a BLACK+DECKER service agent. Use on BLACK+DECKER recommended spare parts and accessories.
- ◆ Keep all nuts bolts and screws tight to make sure that the appliance is in a safe working condition.

### **Safety of others**

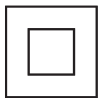
- ◆ This appliance can be used by children aged from 8 years and above and persons with reduced physical, sensory or mental capabilities or lack of experience

and knowledge if they have been given supervision or instruction concerning use of the appliance in a safe way and understand the hazards involved.

Children shall not play with the appliance. Cleaning and user maintenance shall not be made by children without supervision.

- ◆ Children should be supervised to ensure that they do not play with the appliance.

## Electrical safety



This appliance is double insulated; therefore no earth wire is required.

Always check that the power supply corresponds to the voltage on the rating plate.

- ◆ If the supply cord is damaged, it must be replaced by the manufacturer or an authorised BLACK+DECKER Service Centre in order to avoid a hazard.
- ◆ Electric safety can be further improved by using a high sensitivity 30 mA Residual Current Device (RCD).

## Using an extension cable

Always use an approved extension cable suitable for the power input of this tool (see technical data). The extension cable must be suitable for outdoor use and marked accordingly. Up to 30 m of 1.5 mm<sup>2</sup> HO5V V-F extension cable can be used without loss of product performance. Before use, inspect the extension cable for signs of damage, wear and ageing. Replace the extension cable if damaged or defective. When using a cable reel, always unwind the cable completely.

## Residual risks

Additional residual risks may arise when using the tool which may not be included in the enclosed safety warnings.

These risks can arise from misuse, prolonged use etc. Even with the application of the relevant safety regulations and the implementation of safety devices, certain residual risks can not be avoided. These include:

- ◆ Injuries caused by touching any rotating/ moving parts.

- ◆ Injuries caused when changing any parts, blades or accessories.
- ◆ Injuries caused by prolonged use of a tool. When using any tool for prolonged periods ensure you take regular breaks.
- ◆ Impairment of hearing.
- ◆ Health hazards caused by breathing dust developed when using your tool (example:- working with wood, especially oak, beech and MDF.).

## Vibration

The declared vibration emission values stated in the technical data and the declaration of conformity have been measured in accordance with a standard test method provided by EN50636 and may be used for comparing one tool with another. The declared vibration emission value may also be used in a preliminary assessment of exposure.

**Warning!** The vibration emission value during actual use of the power tool can differ from the declared value depending on the ways in which the tool is used.

The vibration level may increase above the level stated.

When assessing vibration exposure to determine safety measures required by 2002/44/EC to protect persons regularly using power tools in employment, an estimation of vibration exposure should consider, the actual conditions of use and the way the tool is used, including taking account of all parts of the operating cycle such as the times when the tool is switched off and when it is running idle in addition to the trigger time.

## Labels on Appliance

The following pictograms, along with the date code, are shown on the tool.



**Warning!** Read the manual prior to operation.



Wear safety glasses or goggles when operating this appliance.



Wear suitable ear protection when operating this appliance.



Do not expose the tool to rain or high humidity or leave outdoors while it is raining.



Switch off: remove plug from mains before cleaning or maintenance.



Disconnect the mains plug if the cord becomes damaged or entangled.



Beware of flying objects.



Keep bystanders away.



Directive 2000/14/EC guaranteed sound power.

## Features

This appliance includes some or all of the following features.

1. On/Off switch - speed control
2. Front handle
3. Back handle
4. Power head
5. Upper vacuum tube
6. Lower vacuum tube
7. Upper blower tube
8. Lower blower tube
9. Concentrator
10. Collection bag
11. Bag connector

## Using your product

**Warning!** When using as a blower or vacuum, always wear safety glasses. If using in dusty conditions, wear a filter mask as well.

**Warning!** Switch off your product, allow the fan to stop and remove the plug from the socket before carrying out any adjustment, servicing or maintenance.

## Assembly



**Warning!** Before assembly, make sure that the appliance is switched off and unplugged.



**Warning!** Always wear protective gloves when working with your blow vac.

### Vacuum tube assembly (fig. A)

The vacuum tubes must be assembled together before use.

**Warning!** Do not operate the appliance with the vacuum tubes separated.

- ◆ To ease assembly, apply a soapy water solution to the joint area.
- ◆ Align the notches (5a) and the recesses (6a) on the upper (5) and lower (6) vacuum tubes.
- ◆ Push the lower vacuum tube (6) firmly onto the upper vacuum tube (5) until they click into place.

**Warning!** Do not separate the tubes once assembled.

### Vacuum mode (fig. B, C, D, E, F, G, H, I, J, K, L, M)

- ◆ Rotate the fan guard assembly anti-clockwise as (fig. B).
- ◆ Insert the rod (14) (supplied) into the fan guard release (13) and push upward to release the fan guard assembly (12) as shown in figure C.
- ◆ Drop the fan guard assembly (12) forward as shown in figure D.
- ◆ Insert the assembled vacuum tube (5) into the available recess in the power head (4) as shown in figure E.
- ◆ Rotate the assembled vacuum tube clockwise so that the bayonet fixing locks into place as shown in figure E.
- ◆ Insert the collection bag connector (11) onto the power head receptacle (11a) as shown in figure F.
- ◆ Place the straps from the collection bag (10) over your shoulders (fig. G) this will support the additional weight as the back pack collection bag fills.
- ◆ Position the vacuum tube slightly above the debris/leaves. Switch on the appliance by pushing the On/Off switch (1) upwards (fig. H insert) and use a sweeping motion; the debris/leaves will be sucked up the tube, and thrown into the collection bag (10) (fig. H).
- ◆ As the bag fills, the power of the suction will decrease, switch off the appliance and unplug from the mains power supply.
- ◆ Unclip the catch (10a) on the back pack collection bag (fig I).
- ◆ Unfold the opening of the back pack collection pack (fig J).
- ◆ Open the back pack collection pack (fig K) and proceed to empty its contents.
- ◆ To seal the collection bag, hold the flexible bars together and roll 2-3 times (fig L).



- ◆ Latch the retaining clip (10a) as shown in figure M.
- Warning!** Never remove the collection bag without first turning off and unplugging the appliance.
- Note:** If the suction decreases and the bag is not full, the vacuum tube is probably clogged with debris. Turn off and unplug the vacuum and clear the tube before continuing.
- ◆ When task is complete, rotate the assembled vacuum tube anticlockwise to release the bayonet fixing. Insert the rod (14) into the fan guard release (13) and push upwards to release the assembled vacuum tube. Remove the assembled vacuum tube from the powerhead as shown in figure N.
  - ◆ Replace the fan guard assembly as shown in figure O.
  - ◆ Rotate the fan guard assembly clockwise as shown in figure P.

**Blower mode (fig. Q, R, S, T)**

- ◆ Assemble the upper blow tube (7), the lower blow tube (8) and the optional concentrator (9) as shown in figure Q.
- ◆ Push the assembled blow tube onto the vacuum outlet (11a) until the lock engages tightly with the blow tube as shown in figure R.

**Warning!** Never operate in Blow mode without the blow tube firmly in place.

- ◆ Hold the blow tube approximately 180 mm above the ground, switch on the appliance and using a sweeping motion from side to side, advance slowly keeping the accumulated debris/leaves in front of you (fig. S).
- ◆ Once you have blown the debris/leaves into a pile, you can remove the blow tube assembly by inserting the rod (14) into the aperture on the vacuum head and pushing down to release the lock as shown in figure T.
- ◆ Now you can convert to vacuum mode and collect the debris.

**Troubleshooting**

Problem	Possible solution
Failure to operate	Check the connection to the power supply
	Check the fuse in the plug, if blown, replace (UK only).
	Check that the blow/vacuum tube assembly is correctly fitted to the powerhead.
	If the fuse continues to blow - immediately disconnect from the mains power supply and consult your local BLACK+DECKER authorised repair agent.

Poor vacuum/high pitched whine	Remove and empty the collection bag.
	Check that both the inlet and exit ports on the vacuum tube are clear.
	Remove any debris from the fan area.
	If poor vacuuming continues - immediately disconnect from the mains power supply and consult your local BLACK+DECKER authorised repair agent

**Maintenance**

Your BLACK+DECKER appliance has been designed to operate over a long period of time with a minimum of maintenance.

Continuous satisfactory operation depends upon proper appliance care and regular cleaning.

- ◆ Keep the appliance clean and dry.
- ◆ Remove any leaves stuck to the inside of the vacuum tube.
- ◆ Regularly clean the ventilation slots with a clean, dry paint brush.
- ◆ Regularly clean the collection bag and ensure that it is clean and empty after each use.
- ◆ To clean the appliance, use only mild soap and a damp cloth. Never let any liquid get inside the tool and never immerse any part of the tool into liquid. Do not use any abrasive or solvent-based cleaner.
- ◆ Self lubricating bearings are used in your product, therefore lubrication is not required.

**Mains plug replacement (U.K. & Ireland only)**

If a new mains plug needs to be fitted:

- ◆ Safely dispose of the old plug.
- ◆ Connect the brown lead to the live terminal in the new plug.
- ◆ Connect the blue lead to the neutral terminal.

**Warning!** No connection is to be made to the earth terminal. Follow the fitting instructions supplied with good quality plugs. Recommended fuse: 13 A.

**Protecting the environment**



Separate collection. Products and batteries marked with this symbol must not be disposed of with normal household waste.

Products and batteries contain materials that can be recovered or recycled reducing the demand for raw materials. Please recycle electrical products and batteries according to local provisions. Further information is available at [www.2helpU.com](http://www.2helpU.com)

**Technical data**

		<b>BEBLV290</b>	<b>BEBLV300</b>
<b>Input voltage</b>	V <sub>AC</sub>	230	230
<b>Power Input</b>	W	2900	3000
<b>Capacity</b>	L	55	72
<b>Weight (blower)</b>	kg	3.6	3.6
<b>Weight (vacuum)</b>	kg	4.4	4.4

<b>Level of sound pressure according to EN 50636-2-100</b>
Sound pressure level at the operator position: (L <sub>pA</sub> ) 90.0 dB(A), uncertainty (K) 1.2 dB(A) Sound power level (L <sub>WA</sub> ) 102.5 dB(A), uncertainty (K) 1.1 dB(A)

<b>Vibration total values (triax vector sum) according to EN 50636-2-100</b>
Vibration (a <sub>h</sub> ) 2.5 m/s <sup>2</sup> , uncertainty (K) 1.5 m/s <sup>2</sup>

**EC declaration of conformity**  
**MACHINERY DIRECTIVE**  
**OUTDOOR NOISE DIRECTIVE**



BEBLV290, BEBLV300 - Blower Vac

Black & Decker declares that these products described under "technical data" are in compliance with:

2006/42/EC, EN60335-1:2012+A11:2014;

EN50636-2-100:2014

2000/14/EC, Blow Vac, Annex V

DEKRA Quality B.V., Utrechtseweg 310, 6802 ED Arnhem,  
The Netherlands Notified Body ID No.: 0344

Level of acoustic power according to 2000/14/EC  
(Article 13, Annex III):

Sound power level: L<sub>WA</sub>: 102,5 dB(A); K=1,1 dB(A)

The guarantee sound power level: L<sub>WA</sub>: 104 dB(A)

These products also comply with Directive 2014/30/EU and 2011/65/EU. For more information, please contact Black & Decker at the following address or refer to the back of the manual.

The undersigned is responsible for compilation of the technical file and makes this declaration on behalf of Black & Decker.

R. Laverick  
Director of Engineering  
Black & Decker Europe, 210 Bath Road, Slough,  
Berkshire, SL1 3YD  
United Kingdom  
16/10/2018

**Guarantee**

Black & Decker is confident of the quality of its products and offers consumers a 24 month guarantee from the date of purchase. This guarantee is in addition to and in no way prejudices your statutory rights. The guarantee is valid within the territories of the Member States of the European Union and the European Free Trade Area.

To claim on the guarantee, the claim must be in accordance with Black&Decker Terms and Conditions and you will need to submit proof of purchase to the seller or an authorised repair agent.

Terms and conditions of the Black&Decker 2 year guarantee and the location of your nearest authorised repair agent can be obtained on the Internet at [www.2helpU.com](http://www.2helpU.com), or by contacting your local Black & Decker office at the address indicated in this manual.

Please visit our website [www.blackanddecker.co.uk](http://www.blackanddecker.co.uk) to register your new Black & Decker product and receive updates on new products and special offers.

## Використання за призначенням

Повітродувки-пилососи BLACK+DECKER™ BEBLV290, BEBLV300 призначені для прибирання листя. Ці пристрої призначені лише для побутового використання та використання на вулиці.

## Загальні попередження з техніки безпеки

**Увага!** Під час використання пристроїв із живленням від електричної мережі/бездротових пристроїв необхідно дотримуватись основних заходів безпеки, включно із зазначеними далі, щоб знизити ризик виникнення пожежі, ураження електричним струмом, травм та пошкодження матеріальних засобів.

- ◆ Уважно прочитайте цей посібник перед використанням пристрою, ознайомтеся з елементами управління та способами належного використання пристрою.
- ◆ Використання за призначенням описане в цьому посібнику. Використання будь-яких насадок чи додаткових інструментів або виконання операцій з приладом, не описаних у цьому посібнику, може призвести до особистих травм.

Термін «пристрій» в усіх попередженнях, наведених нижче, стосується використовуваних вами інструментів, що працюють від мережі енергоспоживання (з використанням електричного кабелю) або акумуляторів (без кабелю).

Збережіть усі попередження та інструкції для використання в майбутньому.

**Збережіть усі попередження та інструкції для використання в майбутньому.**

## Використання пристрою

- ◆ **Будьте уважні під час використання пристрою.**
- ◆ Тримайте робочу зону чистою та добре освітленою. Неупорядковані та неосвітлені робочі зони збільшують імовірність нещасного випадку.
- ◆ Використовуйте цей пристрій лише вдень або за умови гарного штучного освітлення.
- ◆ Не використовуйте цей пристрій у вибухонебезпечних умовах, наприклад неподалік від легкозаймистих рідин, газів або пилу.

- ◆ Ніколи не дозволяйте дітям та людям, які не ознайомлені з цими інструкціями, використовувати пристрій, місцеве законодавство може обмежувати вік оператора для цього пристрою.
  - ◆ Не дозволяйте дітям або тваринам підходити до робочої зони та торкатися пристроїв або шнурів пристрою.
  - ◆ Під час використання пристрою тримайте дітей, сторонніх людей та тварин подалі. Відвернення уваги може призвести до втрати контролю.
  - ◆ Цей інструмент не можна використовувати як іграшки.
  - ◆ Не занурюйте пристрій у воду.
  - ◆ Не відкривайте корпус. Усередині відсутні деталі, які користувач може обслуговувати самостійно.
- Особиста безпека**
- ◆ Будьте в стані готовності, дивіться, що ви робите, та використовуйте загальний глузд, коли ви працюєте з пристроєм. Не використовуйте пристрій, коли ви втомлені або знаходитесь під впливом наркотичних речовин, алкоголю або ліків. Втрата уваги при роботі з пристроєм може призвести до серйозних травм.
  - ◆ За необхідності використовуйте засоби особистого захисту.
  - ◆ Засоби безпеки, такі як засоби захисту очей, протипилова маска, неслизькі безпечні чоботи, твердий капелюх та засоби захисту слухового апарату, які використані для відповідних умов, зменшують імовірність особистих травм.
  - ◆ Уникнення випадкового запуску. Переконайтесь у тому, що вимикач знаходиться в позиції Вимк. перед підключенням до джерела живлення та/або акумулятора, переміщенням або перенесенням пристрою. Перенесення пристрою з утриманням пальця на вимикачі або підключення живлення з перемикачем у позиції Увімк. може призвести до нещасного випадку.

- ◆ Не перенапружуйтеся. Завжди утримуйте правильну постановку ніг і рівновагу. Це дає вам змогу краще контролювати пристрій у неочікуваних ситуаціях.
- ◆ Вдягайтеся відповідним чином. Не вдягайте вільний одяг або прикраси. Тримайте ваше волосся, одяг та рукавички подалі від рухомих деталей. Вільний одяг, прикраси або довге волосся можуть зачепитися за рухомі деталі.

## **Використання пристрою та догляд за ним**

- ◆ Перед використанням перевірте пристрій на наявність пошкоджених деталей. Перевірте на наявність зламаних деталей, пошкоджених перемикачів та інших умов, що можуть вплинути на роботу.
- ◆ Не використовуйте пристрій, вмикач якого не вмикає та не вимикає його. Будь-який пристрій, яким не можна управляти за допомогою вмикача, є небезпечним і має бути відремонтований.
- ◆ Відключіть вилку від джерела живлення перед тим, як робити будь-які налаштування, зміни додаткового обладнання чи зберігати пристрій. Ці профілактичні заходи зменшують ризик випадкового запуску пристрою.
- ◆ Тримайте ріжучі інструменти гострими та чистими. Різальні інструменти з гострими різальними кромками, які пройшли належне обслуговування, мають меншу ймовірність заїдання, та ними легше керувати.
- ◆ Не використовуйте пристрій, якщо виявлено пошкодження або дефекти якоїсь деталі.
- ◆ Пошкоджені або дефектні деталі необхідно відремонтувати або замінити, звернувшись до авторизованого центру з ремонту.
- ◆ Ніколи не намагайтеся знімати або замінювати деталі, за винятком тих, що вказані в цьому керівництві.



## Електрична безпека

- ◆ Вилка пристрою має відповідати розетці. Ніколи жодним чином не модифікуйте вилку. Не використовуйте адаптери із заземленими пристроями.  
Немодифіковані вилки та розетки, що підходять до них, зменшують ризик ураження електричним струмом.
- ◆ Не залишайте електричні інструменти під дощем або в умовах підвищеної вологості. Вода, що потрапляє у пристрій, підвищує ризик ураження електричним струмом.
- ◆ Не використовуйте кабель живлення не за призначенням. Ніколи не використовуйте шнур для перенесення, витягування та відключення пристрою від розетки живлення. Тримайте шнур подалі від високих температур, мастила, гострих предметів та рухомих деталей. Пошкоджені або перекручені шнури підвищують ризик ураження електричним струмом.
- ◆ У разі використання пристрою на вулиці застосовуйте подовжувальний шнур роботи надворі. Використання шнура для роботи на вулиці знижує ризик ураження електричним струмом.
- ◆ Якщо неможливо уникнути використання пристрою в умовах підвищеної вологості, застосовуйте джерело живлення, захищене пристроєм захисного відключення (RCD). Використання RCD знижує ризик ураження електричним струмом.

## Після використання

- ◆ Коли пристрій не використовується, його необхідно зберігати у сухому, добре провітрюваному та недоступному для дітей місці.
- ◆ Дітям забороняється мати доступ до пристрою в місці зберігання.
- ◆ Якщо пристрій зберігається або транспортується в автомобілі, його необхідно помістити в багажник або зафіксувати, щоб уникнути рухів через раптові зміни швидкості або напрямку.

## Обслуговування

- ◆ Надавайте свій пристрій для обслуговування кваліфікованим спеціалістом з ремонту та використовуйте тільки ідентичні замінні деталі. Це гарантуватиме безпеку пристрою, що обслуговується.

## Додаткові інструкції з техніки безпеки під час роботи з повітродувками-пилососами

У цьому керівництві описано використання за призначенням. Використання аксесуарів або приладдя, або виконання будь-яких дій з пристроєм, що суперечать рекомендаціям цього керівництва, може призвести до ризику травмування людини та/або пошкодження майна.

- ◆ Для захисту ніг при роботі з пристроєм завжди вдягайте міцні черевики та довгі штани.
- ◆ Не використовуйте пристрій у режимі всмоктування, не під'єднавши труби пилососа та мішок для збирання.
- ◆ Вимкніть пристрій, дочекайтесь, доки вентилятор

зупиниться, та витягніть вилку з розетки, коли:

- ◆ змінюєте режим з видування на всмоктування;
- ◆ шнур живлення пошкоджений або заплутався;
- ◆ залишаєте пристрій без нагляду;
- ◆ прочищаєте засмічення;
- ◆ перевіряєте, налаштовуєте, очищуєте пристрій або виконуєте з ним інші дії.
- ◆ Пристрій починає занадто сильно вібрувати.
- ◆ Не розташовуйте вхідний або вихідний отвір пилососа біля очей або вух під час використання пристрою.
- ◆ Ніколи не здувайте сміття у напрямку людей, що знаходяться неподалік.
- ◆ Не використовуйте пристрій під дощем та не залишайте його на вулиці, коли йде дощ.
- ◆ Не переходьте посипані гравієм доріжки з увімкненим пристроєм у режимі повітродувки/пилососа.

- ◆ З пристроєм потрібно ходити, а не бігати.
- ◆ Не кладіть увімкнений пристрій на гравій.
- ◆ Завжди слідкуйте за стійким положенням ніг, особливо на схилах.
- ◆ Не перенапружуйтеся та постійно зберігайте рівновагу.
- ◆ Не підбирайте пилососом предмети, що можуть бути забруднені легкозаймистими чи горючими рідинами, такими як бензин, а також не використовуйте пристрій у місцях, де такі речовини можуть бути присутні.
- ◆ Не кладіть інші предмети на отвори пристрою. Не використовуйте пристрій із заблокованими отворами — слідкуйте, щоб волосся, пух, пил та все інше не потрапляло в отвори, тому що це може перешкоджати потоку повітря.

**Увага!** Використовуйте пристрій у спосіб, вказаний у цьому посібнику.

- ◆ Ваш пристрій розроблений так, щоб використовувати у вертикальному положенні,

всі інші варіанти використання можуть призвести до травми. Не використовуйте пристрій, коли він лежить на боку або перевернутий догори ногами.

- ◆ Оператор або користувач несе відповідальність за нещасні випадки та небезпеку щодо інших людей або їхнього майна.
- ◆ Не переносьте пристрій за кабель.
- ◆ Кабель завжди повинен знаходитись позаду пристрою.

**Увага!** Якщо шнур пошкодиться під час використання, негайно від'єднайте його від електромережі.

Не торкайтесь шнура живлення, доки він не від'єднаний від електромережі.

- ◆ Не використовуйте розчинники та миючі рідини для очищення пристрою. Використовуйте плоский тупоносий шабер для видалення трави та бруду.
- ◆ Регулярно перевіряйте мішок для збирання на ознаки зносу та пошкодження.
- ◆ Замінні вентилятори доступні через офіційні сервісні центри BLACK+DECKER.

Використовуйте лише запасні деталі та аксесуари, рекомендовані компанією BLACK+DECKER.

- ◆ Слідкуйте, щоб всі болти та гвинти були добре затягнені, аби гарантувати безпечні умови роботи пристрою.

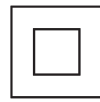
## Безпека сторонніх людей

- ◆ Цей пристрій можуть використовувати діти від 8 років та особи зі зниженими фізичними, сенсорними та розумовими можливостями або з недостатнім досвідом та знаннями, якщо вони працюють під наглядом або пройшли інструктаж щодо використання цього пристрою безпечним чином та усвідомлюють можливу небезпеку.

Не дозволяйте дітям грати з пристроєм. Не дозволяйте дітям очищувати пристрій та виконувати його технічне обслуговування.

- ◆ Діти повинні знаходитися під наглядом, щоб гарантувати, що вони не будуть грати з пристроєм.

## Електрична безпека



Цей пристрій має подвійну ізоляцію, тому заземлення не є необхідним.

Завжди перевіряйте відповідність джерела живлення напрузі, яка вказана на табличці з паспортними даними.

- ◆ Якщо шнур живлення пошкоджений, його необхідно замінити у виробника або в офіційному сервісному центрі компанії BLACK+DECKER для уникнення небезпеки.
- ◆ Рівень електричної безпеки можна також підвищити, використовуючи високочутливий пристрій захисного відключення (RCD) 30 мА.

## Використання подовжувального кабелю

Завжди використовуйте відповідний подовжувальний кабель, що підходить для споживаної потужності цього інструмента (див. технічні дані). Подовжувальний шнур повинен підходити для використання на вулиці та повинен мати

відповідне маркування. Без втрати продуктивності роботи виробу можна використовувати до 30 м подовжувального кабелю HO5V V-F з площею перерізу 1,5 мм<sup>2</sup>. Перед використанням огляньте кабель, щоб виявити ознаки пошкодження, зносу та старіння. Замініть кабель, якщо він пошкоджений або має якісь дефекти. У разі використання кабельного барабану завжди витягуйте весь кабель.

### **Залишкові ризики**

Під час використання інструмента можуть виникнути додаткові залишкові ризики, які не внесено до попереджень щодо техніки безпеки в цьому посібнику.

Ці ризики можуть виникнути через невірне або надмірне використання тощо. Незважаючи на виконання всіх відповідних правил техніки безпеки та використання пристроїв безпеки, деяких залишкових ризиків уникнути неможливо. До них належать:

- ◆ травми через контакт з деталями, що рухаються/обертаються;

- ◆ травми під час заміни деталей, полотен або аксесуарів;
- ◆ травми через занадто тривале використання інструмента. Під час використання будь-якого інструмента протягом тривалого часу не забувайте робити регулярні перерви;
- ◆ порушення слуху;
- ◆ небезпека для здоров'я через вдихання пилу, що утворюється при використанні інструменту (наприклад, при роботі з деревом, особливо з дубом, березою та ДВП).

### **Вібрація**

Значення вібрації, вказані в технічних даних та в декларації про відповідність вимірянні з дотриманням стандартних методів тестування, наданих у EN50636, можуть використовуватися для порівняння одного інструмента з іншим. Задекларовані значення вібрації можна також використовувати для попередньої оцінки впливу вібрації.

Увага! Значення вібрації під час використання інструмента може



відрізнитися від задекларованого залежно від способів використання інструмента.

Рівень вібрації може перевищувати вказані значення. Оцінюючи вплив вібрації для визначення заходів безпеки за вимогами 2002/44/ЕС, щоб захистити людей, які регулярно використовують інструменти в роботі, необхідно враховувати реальні умови та способи використання інструмента, у тому числі всі періоди робочого циклу, наприклад часу, коли інструмент вимкнено та коли він знаходиться в режимі очікування, а також часу фактичної роботи пристрою.

## Маркування на пристрої

На інструмент нанесено такі позначки та код дати.



**Увага!** Прочитайте ці інструкції перед використанням.



Використовуйте захисні окуляри при роботі з інструментом.



Під час використання пристрою застосовуйте засоби захисту органів слуху.



Не піддавайте інструмент впливу дощу та високої вологості, а також не залишайте його на вулиці під дощем.



Вимкнення: витягніть вилку з розетки перед очищенням або технічним обслуговуванням.



Витягніть вилку з розетки у разі пошкодження або заплутування шнура.



Бережіться об'єктів, що летять.



Сторонні люди повинні знаходитися подалі від інструменту.



У Директиві 2000/14/ЕС вказана гарантована звукова потужність.

## Компоненти

Цей пристрій має всі або деякі з нижче перерахованих деталей.

1. Перемикач Увімк./Вимк. — контроль швидкості.
2. Передня ручка.
3. Задня ручка.
4. Силова голівка.
5. Верхня труба пилососа.

6. Нижня труба пилососа.
7. Верхня труба повітродувки.
8. Нижня труба повітродувки.
9. Концентратор.
10. Мішок для збирання.
11. З'єднувач мішка.

## Використання пристрою

**Увага!** Під час використання в режимі повітродувки чи пилососа завжди вдягайте захисні окуляри. В умовах запиленості вдягайте також протипилову маску.

**Увага!** Вимкніть пристрій, дайте вентилятору зупинитись та вийміть вилку з розетки перед будь-яким налаштуванням, обслуговуванням чи ремонтом.

## Збирання



**Увага!** Перед збиранням переконайтеся, що пристрій вимкнено, а вилку витягнуто з розетки.



**Увага!** Працюючи з повітродувкою-пилососом, завжди вдягайте захисні рукавиці.

## Збирання труби пилососа (рис. А)

Перед використанням потрібно зібрати труби пилососа.

**Увага!** Не використовуйте пристрій з від'єднаними трубами пилососа.

- ◆ Для полегшення збирання нанесіть трохи мильного розчину на місця з'єднання.
- ◆ Розташуйте на одній лінії зазублини (5а) та прорізи (6а) на верхній (5) та нижній (6) трубах пилососа.
- ◆ Нижньою трубою пилососа (6) натисніть у напрямку верхньої (5), доки вони не стануть на місце з клацанням.

**Увага!** Не роз'єднуйте труби після збирання.

## Режим пилососа (рис. В, С, D, Е, F, G, H, I, J, K, L, M)

- ◆ Поверніть вузол захисної решітки вентилятора проти годинникової стрілки, як на рис. В.
- ◆ Вставте стрижень (14) (з комплекту постачання) у фіксатор захисної решітки вентилятора (13) та потягніть уверх, щоб від'єднати вузол решітки (12), як показано на рисунку С.
- ◆ Відкиньте вузол решітки вентилятора (12), як показано на рисунку D.
- ◆ Вставте зібрану трубу пилососа (5) у вільний отвір у силовій голівці (4), як показано на рисунку Е.
- ◆ Поверніть зібрану трубу пилососа за годинниковою стрілкою, щоб фіксувальний штифт став на місце й закрився, як показано на рисунку Е.
- ◆ Вставте з'єднувач мішка для збирання (11) в отвір у силовій голівці (11а), як показано на рисунку F.

- ◆ Одягніть на плечі ремені мішка для збирання (10) (рис. G), вони підтримуватимуть додаткову вагу під час наповнення заплічного мішка для збирання.
- ◆ Розташуйте трубу пилососа трохи вище сміття/листя. Увімкніть пристрій, перемістивши перемикач Увімк./Вимк. угору (1) (рис. H, вставка) та зробіть поворот. Сміття/листя всмокчеться й через трубу потрапить у мішок для збирання (10) (рис. H).
- ◆ По мірі наповнення мішка сила всмоктування зменшуватиметься. Вимкніть пристрій та від'єднайте його від електромережі.
- ◆ Розстебніть застібку (10а) на заплічному мішку для збирання (рис. I).
- ◆ Розкрутіть край з отвором заплічного мішка для збирання (рис. J).
- ◆ Відкрийте заплічний мішок для збирання (рис. K) та очистіть його від вмісту.
- ◆ Щоб закрити мішок для збирання, складіть разом гнучкі планки та загорніть їх, зробивши 2–3 оберти (рис. L).
- ◆ Замкніть застібку-фіксатор (10а), як показано на рисунку M.

**Увага!** Ніколи не знімайте мішок для збирання, попередньо не вимкнувши пристрій та не від'єднавши його від електромережі.

**Примітка.** Якщо всмоктування стало слабшим, а мішок не заповнений, то труба пилососа може бути забита сміттям. Вимкніть пристрій, знеструмте його й прочистіть трубу перед тим, як продовжувати.

- ◆ Після завершення роботи поверніть зібрану трубу пилососа проти годинникової стрілки, щоб відімкнути штифт-фіксатор. Вставте стрижень (14) у фіксатор захисної решітки вентилятора (13) та потягніть уверх, щоб відкріпити зібрану трубу пилососа. Від'єднайте зібрану трубу пилососа від силовій голівки, як показано на рисунку N.
- ◆ Поставте на місце вузол решітки вентилятора, як показано на рисунку O.
- ◆ Поверніть вузол решітки вентилятора за годинниковою стрілкою, як показано на рисунку P.

## Режим повітродувки (рис. Q, R, S, T)

- ◆ Зберіть верхню трубу повітродувки (7), нижню трубу повітродувки (8) та додатковий концентратор (9), як показано на рисунку Q.
- ◆ Зібрану трубу повітродувки вставте із зусиллям у вихідний отвір пилососа (11а), як показано на рисунку R, поки замок щільно не закриється.

**Увага!** Ніколи не працюйте в режимі повітродувки, якщо труба повітродувки щільно не приєднана.

- ◆ Утримуйте трубу повітродувки на відстані близько 180 мм над землею, увімкніть пристрій та, повертаючись із боку в бік, повільно просувайтеся вперед, так, щоб сміття/листя, яке збирається, знаходилося попереду (рис. S).
- ◆ Коли сміття/листя вдалося здути в купу, можна від'єднати зібрану трубу повітродувки, вставивши стрижень (14) в отвір на затискній голівці та натиснувши вниз, щоб відкрити замок, як показано на рисунку T.
- ◆ Після цього можна перемкнути пристрій у режим пирососа й зібрати сміття/листя.

## Усунення несправностей

Проблема	Можливе рішення
Не працює	Перевірте підключення до електромережі
	Перевірте запобіжник у вилці та замініть його, якщо він перегорів (тільки для Великої Британії)
	Перевірте, чи правильно приєднана до силової голівки зібрана труба повітродувки/пирососа
	Якщо запобіжник продовжує перегорати — негайно від'єдняйте пристрій від електромережі та проконсультуйтеся у місцевому сервісному центрі компанії BLACK+DECKER
Погане всмоктування / різкий високий звук	Зніміть та очистіть мішок для збирання
	Перевірте, чи немає у вхідному та вихідному отворах труби пирососа якихось предметів
	Приберіть сміття з ділянки розташування вентилятора
	Якщо всмоктування все ще погане — негайно від'єдняйте пристрій від електромережі та проконсультуйтеся у місцевому сервісному центрі компанії BLACK+DECKER

## Технічне обслуговування

Ваш інструмент виробництва компанії BLACK+DECKER призначений для роботи протягом довгого часу з мінімальним обслуговуванням.

Довга задовільна робота пристрою залежить від належного обслуговування та регулярного очищення інструменту.

- ◆ Підтримуйте пристрій чистим та сухим.
- ◆ Видаляйте все листя, яке застрягає всередині труби пирососа.
- ◆ Регулярно очищуйте вентиляційні отвори чистою сухою щіткою.
- ◆ Регулярно очищуйте мішок для збирання та слідкуйте за тим, щоб після кожного використання він залишався чистим та порожнім.
- ◆ Для очищення пристрою використовуйте лише м'який мильний розчин та вологу ганчірку. Не давайте рідині потрапляти всередину інструменту та ніколи не занурюйте деталі інструменту в рідину. Не використовуйте абразивні очищувачі та засоби, що містять розчинники.
- ◆ У пристрої використані самозмащувані підшипники, тому додаткове змащення не потрібне.

## Заміна шнура живлення (тільки для Великої Британії та Ірландії)

Якщо потрібно встановити нову вилку, виконайте кілька дій.

- ◆ Зніміть стару вилку та утилізуйте її, дотримуючись правил техніки безпеки.
- ◆ Приєднайте коричневий провідник до активного виходу нової вилки.
- ◆ Приєднайте блакитний провідник до нейтрального виходу.

**Увага!** Жоден провід не повинен бути підключений до клеми заземлення.

Дотримуйтеся інструкцій щодо налаштування, що постачаються з якісними вилками.

Плавкий запобіжник, що рекомендується: 13 А.

## Захист навколишнього середовища



Роздільний збір. Пристрої та батареї, позначені цим символом, не можна викидати зі звичайним побутовим сміттям.

Пристрої та батареї містять матеріали, які можна відновити та переробити, що зменшить потребу у сировині.

Будь ласка, віддавайте електричні інструменти та батареї на переробку відповідно до місцевих постанов.

Більш детальну інформацію можна отримати на сайті [www.2helpU.com](http://www.2helpU.com)

**Технічні дані**

		<b>BEBLV290</b>	<b>BEBLV300</b>
<b>Вхідна напруга</b>	Вас	230	230
<b>Вхідна потужність</b>	Вт	2900	3000
<b>Ємність</b>	Л	55	72
<b>Вага (повітрорудка)</b>	Кг	3,6	3,6
<b>Вага (пилосос)</b>	Кг	4,4	4,4

**Рівень звукового тиску згідно з EN 50636-2-100**

Рівень звукового тиску у положенні оператора: ( $L_{pA}$ ) 90,0 дБ(А), похибка (К) 1,2 дБ(А).

Рівень звукової потужності ( $L_{WA}$ ) 102,5 дБ(А), похибка (К) 1,1 дБ(А).

**Загальні значення вібрації (векторна сума трьох векторів) відповідно до стандарту EN 50636-2-100**

Вібрація ( $a_w$ ) 2,5 м/с<sup>2</sup>, похибка (К) 1,5 м/с<sup>2</sup>.

**Декларація про відповідність нормам ЄС  
ДИРЕКТИВА ПРО ШУМИ,  
ЩО ВИНИКАЮТЬ ПОЗА ПРИМІЩЕННЯМИ**



BEBLV290, BEBLV300 — повітрорудка-пилосос.

Компанія Black & Decker заявляє, що продукти, описані в розділі «Технічні дані» відповідають:

2006/42/EC, EN60335-1:2012+A11:2014;

EN50636-2-100:2014

2000/14/EC, повітрорудка-пилосос, додаток V.

DEKRA Quality B.V., Utrechtseweg 310, 6802 ED Arnhem, Netherlands (Нідерланди), ідентифікатор уповноваженого органу №: 0344.

Рівень акустичної потужності відповідно до 2000/14/EC (Стаття 13, Додаток III):

Рівень звукової потужності:  $L_{WA}$ : 102,5 дБ(А); К = 1,1 дБ(А).

Рівень гарантованої звукової потужності:  $L_{WA}$ : 104 дБ(А).

Ці продукти також відповідають вимогам Директив 2014/30/EU і 2011/65/EU. Для отримання додаткової інформації зверніться до компанії Black & Decker за наведеною нижче адресою або прочитайте інформацію на зворотному боці цього посібника.

Особа, яка підписалася нижче, несе відповідальність за упорядкування файлу технічних характеристик та робить цю заяву від компанії Black & Decker.

Р. Лаверік (R. Laverick),  
технічний директор

Black & Decker Europe, 210 Bath Road, Slough,  
Berkshire, SL1 3YD

United Kingdom (Велика Британія)

16.10.2018

**Гарантія**

Компанія Black & Decker впевнена в якості своєї продукції та пропонує споживачам гарантію тривалістю 24 місяці з дати купівлі. Ця гарантія доповнює й жодним чином не обмежує ваші законні права. Ця гарантія є чинною на території країн — членів Європейського Союзу та в європейській зоні вільної торгівлі.

Позов за гарантією повинен відповідати умовам компанії Black & Decker, за такої умови вам необхідно надати доказ покупки продавцю або спеціалісту офіційного сервісного центру.

Умови 2-річної гарантії компанії Black & Decker та місцезнаходження найближчого сервісного центру можна дізнатися в інтернеті на сайті [www.2helpU.com](http://www.2helpU.com) або звернутися до місцевого представництва компанії Black & Decker за адресою, вказаною у цьому керівництві.

Будь ласка, відвідайте наш сайт [www.blackanddecker.ua](http://www.blackanddecker.ua), щоб зареєструвати свій новий продукт Black & Decker та отримувати інформацію про нові продукти та спеціальні пропозиції.



Виробник:

"Stanley Black & Decker Deutschland GmbH" Black-&-Decker Str.40, D-65510 Idstein, Німеччина

060









ГАРАНТІЙНИЙ ТАЛОН

**2 РОКИ**  
ГАРАНТІЇ

1. Вітаємо Вас з покупкою високоякісного виробу Black+Decker і висловлюємо вдячність за Ваш вибір.
2. При покупці виробу вимагайте перевірки його комплектності і справності у Вашій присутності, інструкцію з експлуатації та заповнений гарантійний талон українською мовою. В гарантійному талоні повинні бути внесені: модель, дата продажу, серійний номер, дата виробництва інструменту; назва, печатка і підпис торгової організації. За відсутності у Вас правильно заповненого гарантійного талону, а також при невідповідності зазначених у ньому даних ми будемо змушені відхилити Ваші претензії щодо якості даного виробу.
3. Щоб уникнути непорозумінь, переконливо просимо Вас перед початком роботи з виробом уважно ознайомитися з інструкцією з його експлуатації. Правовою основою справжніх гарантійних умов є чинне Законодавство. Гарантійний термін на даний виріб складає 24 місяці і обчислюється з дня продажу. У разі усунення недоліків виробу, гарантійний строк продовжується на період його перебування в ремонті. Термін служби виробу становить 5 років з дня продажу.
4. У разі виникнення будь-яких проблем у процесі експлуатації виробу рекомендуємо Вам звертатися тільки в уповноважені сервісні центри Black+Decker, адреси та телефони яких Ви зможете знайти в гарантійному талоні, на сайті [www.2helpU.com](http://www.2helpU.com) або дізнатися в магазині. Наші сервісні станції - це не тільки кваліфікований ремонт, але і широкий асортимент запчастин і аксесуарів.
5. Виробник рекомендує проводити періодичну перевірку і технічне обслуговування виробу в уповноважених сервісних центрах.
6. Наші гарантійні зобов'язання поширюються тільки на несправності, виявлені протягом гарантійного терміну і викликані дефектами виробництва та \ або матеріалів.
7. Гарантійні умови не поширюються на несправності виробу, що виникли в результаті:
  - 7.1. Недотримання користувачем приписів інструкції з експлуатації виробу, застосування виробу не за призначенням, неправильного зберігання, використання приладдя, витратних матеріалів і запчастин, що не передбачені виробником.
  - 7.2. Механічного пошкодження (відколи, тріщини і руйнування) внутрішніх і зовнішніх деталей виробу, основних і допоміжних рукояток, мережевого кабелю, що викликані зовнішнім ударним або будь-яким іншим впливом
  - 7.3. Потрапляння у вентиляційні отвори та проникнення всередину виробу сторонніх предметів, матеріалів або речовин, що не є відходами, які супроводжують застосування виробу за призначенням, такими як: стружка, тирса, пісок, та ін.
  - 7.4. Впливу на виріб несприятливих атмосферних і інших зовнішніх факторів, таких як дощ, сніг, підвищена вологість, нагрівання, агресивні середовища, невідповідність параметрів електромережі, що зазначені на інструменті.
  - 7.5. Стихійного лиха. Пошкодження або втрати виробу, що пов'язані з непередбаченими лихами, стихійними явищами, у тому числі внаслідок дії непереборної сили (пожежа, блискавка, потоп і інші природні явища), а також внаслідок перепадів напруги в електромережі та іншими причинами, які знаходяться поза контролем виробника.
8. Гарантійні умови не поширюються:
  - 8.1. На інструменти, що піддавались розкриттю, ремонту або модифікації поза уповноваженим сервісним центром.
  - 8.2. На деталі, вузли та матеріали, що мають сліди природного зносу, такі як: приводні ремені і колеса, вугільні щітки, мастило, підшипники, зубчасті зчеплення редукторів, гумові ущільнення, сальники, направляючі ролики, муфти, вимикачі, бойки, штовхачі, стволи тощо.
  - 8.3. На змінні частини: патрони, цанги, затискні гайки і фланці, фільтри, ножі, шліфувальні підшви, ланцюги, зірочки, пильні шини, захисні кожухи, пилки, абразиви, пильні і абразивні диски, фрези, свердла, бури тощо
  - 8.4. На несправності, що виникли в результаті перевантаження інструменту (як механічного, так і електричного), що спричинили вихід з ладу одночасно двох і більше деталей і вузлів, таких як: ротора і статора, обох обмоток статора, веденої і ведучої шестерень редуктора або інших вузлів і деталей. До безумовних ознак перевантаження виробу відносяться, крім інших: поява кольорів мінливості, деформація або оплавлення деталей і вузлів виробу, потемніння або обвуглювання ізоляції проводів електродвигуна під впливом високої температури.

Товар отриманий в справному стані, без видимих ушкоджень, в повній комплектації, перевірений у моїй присутності, претензій щодо якості товару не маю. З умовами гарантійного обслуговування ознайомлений і згоден.

П. І. Б. та підпис власника \_\_\_\_\_

**Шановні клієнти, наша мережа авторизованих сервісних центрів постійно розширюється. Актуальну інформацію про обслуговування в місті, що цікавить вас, ви можете дізнатися на сайті**

**[www.2helpU.com](http://www.2helpU.com)**



**Інформація про інструмент**

Найменування інструменту	
Модель	
Найменування продавця	
Дата продажу	

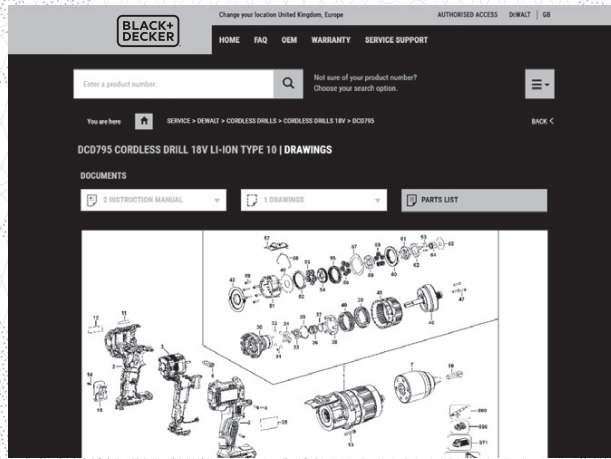
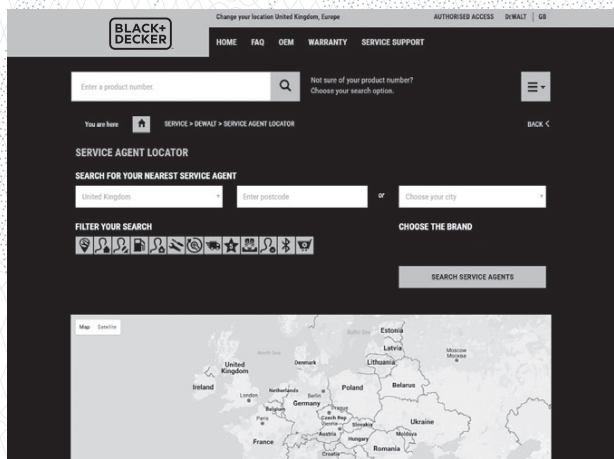
М.П.  
Продавця

**Серійний номер/Дата виробництва**

Інструмент	
Зарядний пристрій	
Акумулятор 1	
Акумулятор 2	

**На сайті [www.2helpU.com](http://www.2helpU.com) доступні наступні функції:**

- Список авторизованих сервісних центрів
- Зручний пошук найближчого сервісного центру
- Керівництво з експлуатації
- Технічні характеристики
- Список деталей і запасних частин
- Схема складання інструменту



**Також дану інформацію ви можете отримати, зателефонувавши за номером: 0 (800) 211 521 в Україні**

**ВІДМІТКА ПРО ПРОВЕДЕННЯ СЕРВІСНОГО ОБСЛУГОВУВАННЯ**

№1	№2	№3	№4
№ замовлення	№ замовлення	№ замовлення	№ замовлення
Дата прийому	Дата прийому	Дата прийому	Дата прийому
Дата ремонту	Дата ремонту	Дата ремонту	Дата ремонту
Печатка і підпис сервісного центру	Печатка і підпис сервісного центру	Печатка і підпис сервісного центру	Печатка і підпис сервісного центру