

Інструмент не
призначений для
професійного
використання.

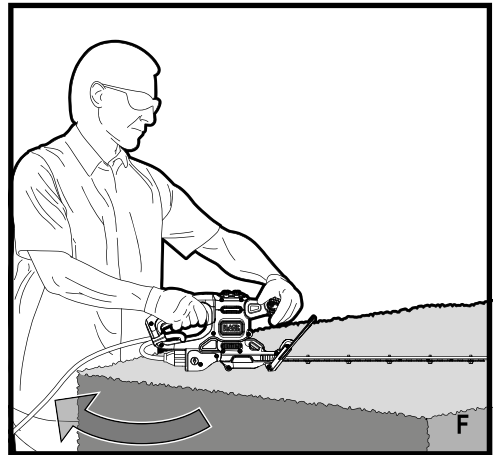
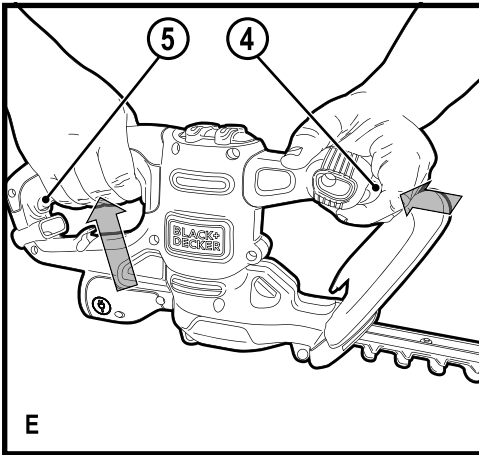
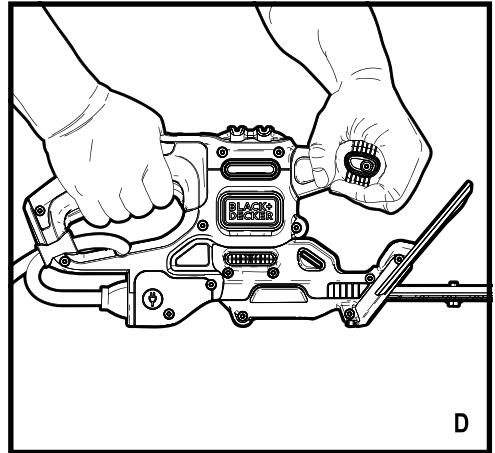
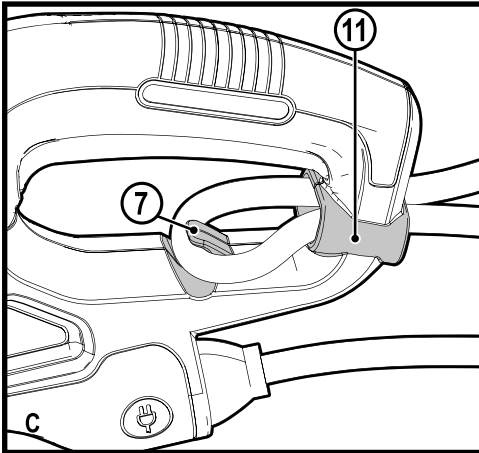
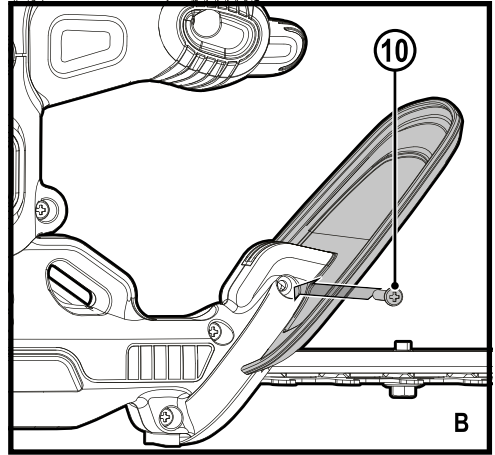
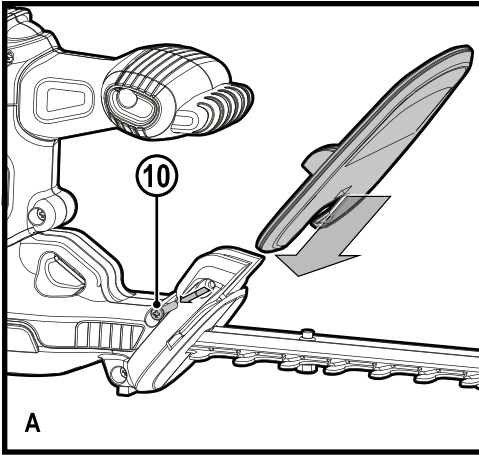
xxx

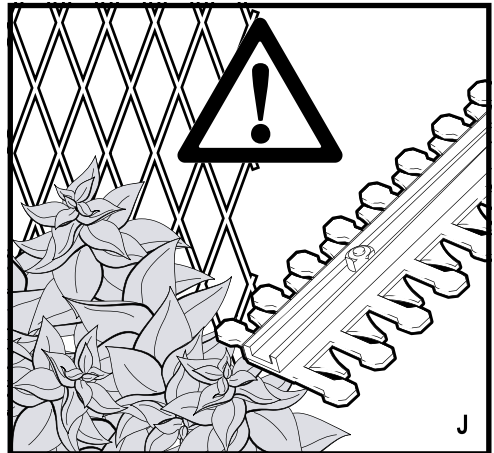
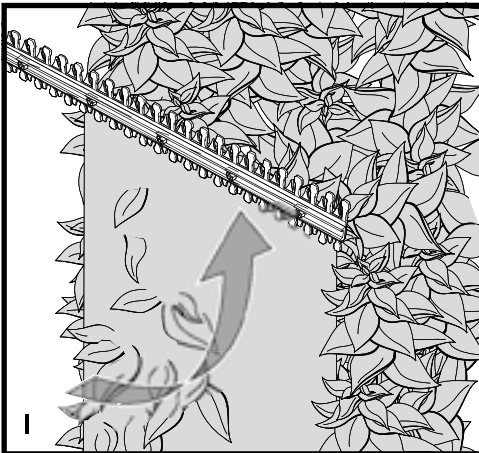
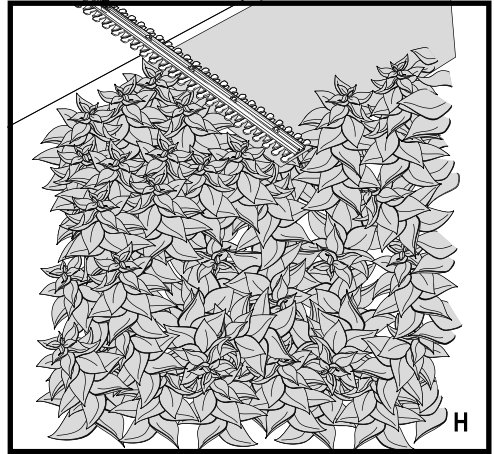
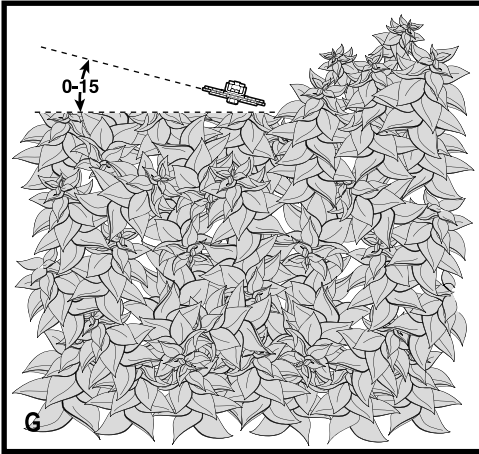
Переклад оригінальних інструкцій

www.blackanddecker.eu

BEHT201
BEHT251

English (original instructions)	5
Українська (переклад оригінальних інструкцій)	9





Intended use

Your BLACK+DECKER™ BEHT201, BEHT251 hedgetrimmers have been designed for trimming hedges, shrubs and brambles. These tools are intended for consumer use only.

Safety instructions

General power tool safety warnings



Warning! Read all safety warnings and all instructions. Failure to follow the warnings and instructions listed below may result in electric shock, fire and/or serious injury.

Save all warnings and instructions for future reference.

The term "power tool" in the warnings refers to your mains operated (corded) power tool or battery operated (cordless) power tool.

1. **Work area safety**
 - a. **Keep work area clean and well lit.** Cluttered or dark areas invite accidents.
 - b. **Do not operate power tools in explosive atmospheres, such as in the presence of flammable liquids, gases or dust.** Power tools create sparks which may ignite the dust or fumes.
 - c. **Keep children and bystanders away while operating a power tool.** Distractions can cause you to lose control.
2. **Electrical safety**
 - a. **Power tool plugs must match the outlet. Never modify the plug in any way. Do not use any adapter plugs with earthed (grounded) power tools.** Unmodified plugs and matching outlets will reduce risk of electric shock.
 - b. **Avoid body contact with earthed or grounded surfaces such as pipes, radiators, ranges and refrigerators.** There is an increased risk of electric shock if your body is earthed or grounded.
 - c. **Do not expose power tools to rain or wet conditions.** Water entering a power tool will increase the risk of electric shock.
 - d. **Do not abuse the cord. Never use the cord for carrying, pulling or unplugging the power tool. Keep cord away from heat, oil, sharp edges or moving parts.** Damaged or entangled cords increase the risk of electric shock.
 - e. **When operating a power tool outdoors, use an extension cord suitable for outdoor use.** Use of a cord suitable for outdoor use reduces the risk of electric shock.
 - f. **If operating a power tool in a damp location is unavoidable, use a residual current device (RCD) protected supply.** Use of an RCD reduces the risk of electric shock.
3. **Personal safety**
 - a. **Stay alert, watch what you are doing and use common sense when operating a power tool. Do not use a power tool while you are tired or under the influence of drugs, alcohol or medication.** A moment of inattention while operating power tools may result in serious personal injury.
 - b. **Use personal protective equipment. Always wear eye protection.** Protective equipment such as dust mask, non-skid safety shoes, hard hat, or hearing protection used for appropriate conditions will reduce personal injuries.
 - c. **Prevent unintentional starting. Ensure the switch is in the off-position before connecting to power source and/or battery pack, picking up or carrying the tool.** Carrying power tools with your finger on the switch or energising power tools that have the switch on invites accidents.

- d. **Remove any adjusting key or wrench before turning the power tool on.** A wrench or a key left attached to a rotating part of the power tool may result in personal injury.
 - e. **Do not overreach. Keep proper footing and balance at all times.** This enables better control of the power tool in unexpected situations.
 - f. **Dress properly. Do not wear loose clothing or jewellery. Keep your hair, clothing and gloves away from moving parts.** Loose clothes, jewellery or long hair can be caught in moving parts.
 - g. **If devices are provided for the connection of dust extraction and collection facilities, ensure these are connected and properly used.** Use of dust collection can reduce dust-related hazards.
4. **Power tool use and care**
 - a. **Do not force the power tool. Use the correct power tool for your application.** The correct power tool will do the job better and safer at the rate for which it was designed.
 - b. **Do not use the power tool if the switch does not turn it on and off.** Any power tool that cannot be controlled with the switch is dangerous and must be repaired.
 - c. **Disconnect the plug from the power source and/or the battery pack from the power tool before making any adjustments, changing accessories, or storing power tools.** Such preventive safety measures reduce the risk of starting the power tool accidentally.
 - d. **Store idle power tools out of the reach of children and do not allow persons unfamiliar with the power tool or these instructions to operate the power tool.** Power tools are dangerous in the hands of untrained users.
 - e. **Maintain power tools. Check for misalignment or binding of moving parts, breakage of parts and any other condition that may affect the power tools operation. If damaged, have the power tool repaired before use.** Many accidents are caused by poorly maintained power tools.
 - f. **Keep cutting tools sharp and clean.** Properly maintained cutting tools with sharp cutting edges are less likely to bind and are easier to control.
 - g. **Use the power tool, accessories and tool bits etc. in accordance with these instructions, taking into account the working conditions and the work to be performed.** Use of the power tool for operations different from those intended could result in a hazardous situation.
 5. **Service**
 - a. **Have your power tool serviced by a qualified repair person using only identical replacement parts.** This will ensure that the safety of the power tool is maintained.

Additional power tool safety warnings



Warning! Additional safety warnings for hedge trimmers.

- ◆ **Keep all parts of the body away from the cutter blade. Do not remove cut material or hold material to be cut when blades are moving. Make sure the switch is off when clearing jammed material.** A moment of inattention while operating the tool can result in serious personal injury.
- ◆ **Carry the hedge trimmer by the handle with the cutter blade stopped. When transporting or storing the hedge trimmer always fit the cutting device cover.** Proper handling of the hedge trimmer will reduce possible personal injury from the cutter blades.

- ◆ **Hold the power tool by insulated gripping surfaces only, because the cutter blade may contact hidden wiring or its own cord.** Cutter blades contacting a "live" wire may make exposed metal parts of the power tool "live" and could give the operator an electric shock.
- ◆ **Keep cable away from cutting area.** During operation the cable can be hidden in shrubs and can be accidentally cut the blades.
- ◆ The intended use is described in this instruction manual. The use of any accessory or attachment or performance of any operation with this tool other than those recommended in this instruction manual can present a risk of personal injury and/or damage to property.
- ◆ If you have not used a hedge trimmer before, preferably seek practical instruction by an experienced user in addition to studying this manual.
- ◆ Never touch the blades while the tool is running.
- ◆ Never attempt to force the blades to come to a standstill.
- ◆ Do not put the tool down until the blades have come to a complete standstill.
- ◆ Regularly check the blades for damage and wear. Do not use the tool when the blades are damaged.
- ◆ Take care to avoid hard objects (e.g. metal wire, railings) when trimming. Should you accidentally hit any such object, immediately switch the tool off and check for any damage.
- ◆ Should the tool start to vibrate abnormally, immediately switch it off and disconnect it from the mains supply then check for any damage.
- ◆ If the tool stalls, immediately switch it off. Disconnect it from the mains supply before attempting to remove any obstructions.
- ◆ After use, place the blade sheath supplied over the blades. Store the tool, making sure that the blade is not exposed.
- ◆ Always ensure that all guards are fitted when using the tool. Never attempt to use an incomplete tool or a tool with unauthorised modifications.
- ◆ Never allow children to use the tool.
- ◆ Be aware of falling debris when cutting the higher sides of a hedge.
- ◆ Always hold the tool with both hands and by the handles provided.

Residual risks

Additional residual risks may arise when using the tool which may not be included in the enclosed safety warnings. These risks can arise from misuse, prolonged use etc. Even with the application of the relevant safety regulations and the implementation of safety devices, certain residual risks can not be avoided. These include:

- ◆ Injuries caused by touching any rotating/moving parts.
- ◆ Injuries caused when changing any parts, blades or accessories.
- ◆ Injuries caused by prolonged use of a tool. When using any tool for prolonged periods ensure you take regular breaks.
- ◆ Impairment of hearing.
- ◆ Health hazards caused by breathing dust developed when using your tool (example:- working with wood, especially oak, beech and MDF.)

Vibration

The declared vibration emission values stated in the technical data and the declaration of conformity have been measured in accordance with a standard test method provided by EN 60745 and may be used for comparing one tool with another. The declared vibration emission value may also be used in a preliminary assessment of exposure.

Warning! The vibration emission value during actual use of the power tool can differ from the declared value depending on the ways in which the tool is used. The vibration level may increase above the level stated.

When assessing vibration exposure to determine safety measures required by 2002/44/EC to protect persons regularly using power tools in employment, an estimation of vibration exposure should consider, the actual conditions of use and the way the tool is used, including taking account of all parts of the operating cycle such as the times when the tool is switched off and when it is running idle in addition to the trigger time.

Labels on tool

The following pictograms are shown on the tool along with the date code:



Warning! To reduce the risk of injury, the user must read the instruction manual.



Wear safety glasses or goggles when operating this tool.



Wear ear protection when operating this tool.



Immediately disconnect the cable from the mains if it is damaged or cut.



Do not expose the tool to rain or high humidity.



Directive 2000/14/EC guaranteed sound power.

Electrical safety



This tool is double insulated; therefore no earth wire is required. Always check that the power supply corresponds to the voltage on the rating plate.

- ◆ If the supply cord is damaged, it must be replaced by the manufacturer or an authorised BLACK+DECKER Service Centre in order to avoid a hazard.
- ◆ When using the tool outdoors, only use extension cables intended for outdoor use. A suitable rated BLACK+DECKER extension cable of up to 30 m can be used without loss of power.
- ◆ Electric safety can be further improved by using a high sensitivity 30 mA residual current device (RCD).

Features

This tool includes some or all of the following features.

1. Blade
2. Guard
3. Auxiliary handle
4. Lock off button
5. Trigger switch
6. Switch handle
7. Cord retainer

Assembly

Warning! Before assembly, make sure that the tool is switched off and unplugged and that the blade sheath is fitted over the blades.

Attaching guard to trimmer (fig. A, B)

The trimmer is shipped with the guard unattached to the trimmer. To attach the guard:

- ◆ Remove guard retaining screw 10 with a Phillips screwdriver (not supplied).

- ◆ Position the guard in place as shown in Fig. A. Ensuring the guard slots into the grooves on the unit.
- ◆ Insert the guard retaining screw 10 into the opening on the side of the guard and tighten securely as shown in Fig. B.

Warning! Only use with handle and guard properly assembled to hedge trimmer. The use of the hedge trimmer without the proper guard or handle provided may result in serious personal injury.

Attaching extension cord to trimmer (fig. C)

A cord retainer (7) is incorporated into the rear of the switch handle (6).

- ◆ Near the end of the extension cord, fold the extension cord to create a loop.
- ◆ Feed the loop into the cord retainer housing 11 as shown in Fig. C.
- ◆ Hook the loop onto the cord retainer 7 so it rests in the cord retainer.
- ◆ Plug the extension cord into the unit.

Correct hand position (Fig. D)

Always hold the trimmer, as shown in the illustrations in this manual, with one hand on the switch handle and one hand on the auxiliary handle (Fig. D). Never hold the unit by the blade guard.

Use

Warning! Let the tool work at its own pace. Do not overload.

Switching on and off

Note: For your safety, this tool is equipped with a double switching system. This system prevents starting the tool inadvertently and will only allow operation while holding the tool with both hands.

Switching on (fig. E)

- ◆ To turn the tool "ON", press the lock off button (4) in the auxiliary handle (3) backward and squeeze the trigger switch (5). Once the unit is running, you may release the lock off button. In order to keep the unit running you must continue to squeeze the trigger. To turn the tool "OFF", release the trigger.

Warning! Never attempt to lock a switch in the ON position.

- ◆ Regularly oil the blades.

Guidelines for trimming

Extension cord (fig. F)

- ◆ Always keep extension cord behind trimmer and away from the trimming operation as shown in figure F. Never drape it over a hedge being trimmed.
- If you cut or damage the cord, unplug it at the electrical outlet immediately, before inspecting or repairing cord.

Working position

- ◆ Maintain proper footing and balance and do not overreach.
- ◆ Wear safety goggles, non-skid footwear and rubber gloves when trimming.
- ◆ Hold the tool firmly in both hands and turn the tool ON. Always hold the trimmer, as shown in Fig. D, with one hand on the switch handle and one hand on the auxiliary handle. Never hold the tool by the blade guard.

Trimming new growth (fig.G)

- ◆ A wide, sweeping motion, feeding the blade teeth through the twigs is most effective. A slight downward tilt of the blade, in the direction of motion gives the best cutting.

Warning! Do not use trimmer for cutting stems greater than 16 mm. Use the trimmer only for cutting normal shrubbery found around houses and buildings.

Level hedges (fig.H)

- ◆ To obtain exceptionally level hedges, a piece of string can be stretched along the length of the hedge as a guide.

Side trimming hedges (fig.I)

- ◆ Begin at the bottom and sweep up.

The cutting blades are made from high quality, hardened steel and with normal usage, they will not require resharpening. However, if you accidentally hit a wire fence (Fig. J), stones, glass or other hard objects, you may put a nick in the blade. There is no need to remove this nick as long as it does not interfere with the movement of the blade. If it does interfere, unplug the cord and use a fine toothed file or sharpening stone to remove the nick. If you drop the trimmer, carefully inspect it for damage. If the blade is bent, housing cracked, or handles broken or if you see any other condition that may affect the trimmer's operation contact your local BLACK+DECKER Service Center for repairs before putting it back into use. Fertilizers and other garden chemicals contain agents which greatly accelerate the corrosion of metals. Do not store the unit on or adjacent to fertilizers or chemicals.

Accessories

The performance of your tool depends on the accessory used. BLACK+DECKER accessories are engineered to high quality standards and designed to enhance the performance of your tool. By using these accessories you will get the very best from your tool.

Maintenance

Your BLACK+DECKER corded/cordless appliance/tool has been designed to operate over a long period of time with a minimum of maintenance. Continuous satisfactory operation depends upon proper tool care and regular cleaning. Lubrication oil is available from your BLACK+DECKER dealer (cat. no. A6102-XJ).

Warning! Before performing any maintenance on corded/ cordless power tools:

- ◆ Switch off and unplug the appliance/tool.
- ◆ Or switch off and remove the battery from the appliance/ tool if the appliance/tool has a separate battery pack.
- ◆ Or run the battery down completely if it is integral and then switch off.
- ◆ Unplug the charger before cleaning it. Your charger does not require any maintenance apart from regular cleaning.
- ◆ Regularly clean the ventilation slots in your appliance/tool/ charger using a soft brush or dry cloth.
- ◆ Regularly clean the motor housing using a damp cloth. Do not use any abrasive or solvent-based cleaner.
- ◆ After use, carefully clean the blades. After cleaning, apply a film of light machine oil to prevent the blades from rusting.

Mains plug replacement (U.K. & Ireland only)

If a new mains plug needs to be fitted:

- ◆ Safely dispose of the old plug.
- ◆ Connect the brown lead to the live terminal in the new plug.
- ◆ Connect the blue lead to the neutral terminal.

Warning! No connection is to be made to the earth terminal. Follow the fitting instructions supplied with good quality plugs. Recommended fuse: 5 A.

Protecting the environment



Separate collection. Products and batteries marked with this symbol must not be disposed of with normal household waste.

Products and batteries contain materials that can be recovered or recycled reducing the demand for raw materials. Please recycle electrical products and batteries according to local provisions. Further information is available at www.2helpU.com

Technical data

		BEHT201 Type 1	BEHT251 Type 1
Voltage	V_{AC}	230	230
Power input	W	420	450
Blade strokes (no load)	min^{-1}	1960	1815
Blade length	cm	45	50
Blade gap	mm	16	18
Blade brake time	s	<1	<1
Weight	kg	1.91	2.16

Level of sound pressure according to EN 60745:	
Sound pressure level at operator position (L_{pA})	85 dB(A), uncertainty (K) 3 dB(A)
Sound power level (L_{WA})	97 dB(A), uncertainty (K) 2.5 dB(A)
Vibration total values (triax vector sum) according to EN 60745:	
Vibration emission value ($a_{n,d}$)	2.5 m/s^2 , uncertainty (K) 1.5 m/s^2

EC declaration of conformity

MACHINERY DIRECTIVE
OUTDOOR NOISE DIRECTIVE



BEHT201, BEHT251– Hedge Trimmer
Black & Decker declares that these products described under
“technical data” are in compliance with:
2006/42/EC, EN 60745-1:2009 +A11:2010,
EN 60745-2-15:2009 +A1:2010

2000/14/EC, Hedge trimmer, Annex V
Measured sound power level (L_{WA}) 97 dB(A)
Uncertainty (K) 2.5 dB(A)
Guaranteed sound power (L_{WA}) 100 dB(A)

These products also comply with Directive 2014/30/EU
and 2011/65/EU.

For more information, please contact Black & Decker at the following
address or refer to the back of the manual.

The undersigned is responsible for compilation of the technical file and
makes this declaration on behalf of Black & Decker.

R. Laverick
Engineering Director
Black & Decker Europe,
210 Bath Road, Slough,
Berkshire, SL1 3YD
United Kingdom
26/10/2017

Guarantee

Black & Decker is confident of the quality of its products and offers consumers a 24 month guarantee from the date of purchase. This guarantee is in addition to and in no way prejudices your statutory rights. The guarantee is valid within the territories of the Member States of the European Union and the European Free Trade Area.

To claim on the guarantee, the claim must be in accordance with Black&Decker Terms and Conditions and you will need to submit proof of purchase to the seller or an authorised repair agent. Terms and conditions of the Black&Decker 2 year guarantee and the location of your nearest authorised repair agent can be obtained on the Internet at www.2helpU.com, or by contacting your local Black & Decker office at the address indicated in this manual.

Please visit our website www.blackanddecker.co.uk to register your new Black & Decker product and receive updates on new products and special offers.

Область застосування

Куцорізи ВЕНТ201, ВЕНТ251 виробництва компанії BLACK+DECKER™ були розроблені для підрізання кущів, чагарників і ожини. Ці інструменти призначені лише для побутового використання.

Інструкції з техніки безпеки

Загальні правила безпеки для електричного інструмента



Увага! Перед використанням інструменту уважно прочитайте всі попередження та інструкції. Невиконання наведених нижче попереджень та інструкцій може призвести до ураження електричним струмом, пожежі та/або серйозних травм.

Збережіть всі попередження та інструкції для використання в майбутньому.

Термін «електричний інструмент» в усіх попередженнях стосується використовуваних вами інструментів, що працюють від мережі енергоспоживання (з використанням електричного кабелю) або акумуляторів (без кабелю).

1. Безпека робочої зони

- Тримайте робочу зону чистою та добре освітленою.** Невпорядковані й темні робочі зони збільшують імовірність нещасного випадку.
- Не використовуйте електричні інструменти у вибухонебезпечній атмосфері, наприклад у присутності займистих рідин, газів та пилу.** Електричні інструменти створюють іскри, що можуть запалити пил або випаровування.
- Тримайте дітей та сторонніх подалі під час використання інструменту.** Відвернення уваги може призвести до втрати контролю.

2. Електрична безпека

- Вилка електричного інструмента має відповідати розетці. Ніколи жодним чином не змінюйте вилку. Не використовуйте адаптери із заземленими електричними інструментами.** Немодифіковані вилки та розетки, що відповідають їм, зменшують ризик ураження електричним струмом.
- Уникайте контакту тіла із заземленими поверхнями, такими як труби, радіатори, плити та холодильники.** Якщо ваше тіло заземлене, збільшується ризик ураження електричним струмом.
- Не залишайте електричні інструменти під дощем або за умов підвищеної вологості.** Вода, що потрапляє в електричний інструмент, підвищує ризик ураження електричним струмом.
- Не використовуйте кабель живлення не за призначенням. Ніколи не використовуйте шнур для перенесення, витягування та відключення від розетки живлення електричного інструмента. Тримайте шнур подалі від високих температур, мастила, гострих предметів та рухомих деталей.** Пошкоджені або перекручені шнури підвищують ризик ураження електричним струмом.
- При використанні електричного інструменту на вулиці, використовуйте подовжувачий шнур, що підходить для використання на вулиці.** Використання шнура, що підходить для вулиці, знижує ризик ураження електричним струмом.
- Якщо неможливо уникнути використання електричного інструменту за умов підвищеної вологості, використовуйте джерело живлення, захищене пристроєм залишкового струму (RCD).** Використання RCD знижує ризик ураження електричним струмом.

3. Особиста безпека

- Будьте в стані готовності, дивіться, що ви робите, та використовуйте загальний глузд, коли ви працюєте з електричним інструментом. Не використовуйте електричний інструмент, коли ви втомлені або знаходитесь під впливом наркотичних речовин, алкоголю або ліків.** Втрата уваги при роботі з електричними інструментами можуть призвести до серйозних травм.
 - Використовуйте особисті засоби безпеки. Завжди використовуйте засоби захисту очей.** Засоби безпеки, такі як протипилова маска, неслизькі безпечні черевки, захисний шолом та засоби захисту слухового апарату, які використані для відповідних умов, зменшують імовірність особистих травм.
 - Уникайте випадкового запуску. Переконайтеся в тому, що вимикач знаходиться в позиції Вимк. перед підключенням до джерела живлення та/або акумулятора, переміщенням або перенесенням пристрою.** Якщо ви переносите інструмент, тримаючи палець на вимикачі, або підключаєте живлення з перемикачем в позиції Увімк., це може призвести до нещасного випадку.
 - Зніміть всі налаштувальні ключі або гайкові ключі перед вмиканням електричного інструмента.** Гайковий ключ, що залишився прикріпленим до якоїсь деталі електричного пристрою, що обертається, може призвести до травм.
 - Не перенапружуйтеся. Завжди утримуйте правильну постановку ніг і рівновагу.** Це дає вам змогу краще контролювати інструмент в непередбачуваних ситуаціях.
 - Вдягайте відповідний одяг. Не вдягайте вільний одяг або прикраси. Тримайте ваше волосся, одяг та рукавички подалі від рухомих деталей.** Вільний одяг, прикраси або довге волосся можуть зачепитися за рухомі деталі.
 - Якщо передбачені пристрої для підключення до засобів виділення та збирання пилу, переконайтеся, що вони правильно підключені та використовуються.** Використання таких пристроїв зменшує ризик виникнення небезпечних ситуацій, що пов'язані з потраплянням пилу.
- #### 4. Використання та догляд за електричним інструментом
- Не використовуйте надмірні зусилля при роботі з інструментом. Використовуйте відповідний електричний інструмент для вашого застосування.** Правильно обраний інструмент виконає завдання краще та безпечніше за умов, для яких він був розроблений.
 - Не використовуйте інструмент, вмикач якого не вмикає та не вимикає його.** Будь-який електричний інструмент, який не може управлятися вмикачем, є небезпечним і має бути відремонтований.
 - Відключіть вилку від джерела живлення та/або зніміть акумуляторний блок з електричного інструмента перед тим, як робити будь-які налаштування, змінювати додаткове обладнання чи зберігати електричні інструменти.** Ці профілактичні заходи зменшують ризик випадкового запуску електричного інструмента.
 - Зберігайте вимкнені електричні інструменти подалі від дітей та не дозволяйте особам, що не знайомі з електричним інструментом або цими інструкціями, використовувати електричний інструмент.** Електричні інструменти є небезпечними, якщо вони використовуються некваліфікованими користувачами.
 - Технічне обслуговування електричних інструментів. Перевіряйте несумісність або заїдання рухомих деталей, наявність ушкоджених частин та інших умов, що можуть**

впливати на роботу електричного інструмента. Якщо є ушкодження, відремонтуйте електричний інструмент перед використанням. Багато нещасних випадків є результатом того, що інструмент не пройшов відповідного технічного обслуговування.

- f. Тримайте різальні інструменти гострими та чистими. Правильно доглянуті різальні інструменти з гострими різальними кромками мають меншу ймовірність заїдання, та ними легше керувати.
 - g. Використовуйте електричний інструмент, приладдя та деталі інструмента тощо у відповідності до цих інструкцій, зважаючи на умови використання та роботу, яка має бути виконана. Використання електричних інструментів не за призначенням може призвести до виникнення небезпечних ситуацій.
5. Обслуговування
 - a. Надавайте ваш електричний інструмент для обслуговування кваліфікованим спеціалістом з ремонту та використовуйте тільки ідентичні замінні деталі. Це забезпечить безпеку електричного пристрою, що обслуговується.

Додаткові правила безпеки для електричного інструмента



Увага! Додаткові інструкції з техніки безпеки для кущорізів.

- ◆ Тримайте всі частини тіла подалі від ріжучого леза. Не видаляйте обрізані гілки та не тримайте гілки, що підлягають обрізанню, коли лезо рухається. При очищенні застряглих гілок не забудьте вимкнути пристрій. Втрата уваги при роботі з інструментами може призвести до серйозних травм.
- ◆ Переносьте кущоріз за ручку з зупиненим ріжучим лезом. При транспортуванні або зберіганні кущорізу завжди використовуйте кришку для ріжучого пристрою. Відповідний догляд за кущорізом знизить ймовірність травм лезами.
- ◆ Тримайте електричний інструмент лише за ізольовану поверхню ручки, тому що лезо може торкнутися схованих електричних кабелів. При контакті ріжучих лез з дротом під напругою може з'явитися напруга в металевих деталях інструменту, що може призвести до ураження оператора електричним струмом.
- ◆ Тримайте кабель подалі від ріжучої поверхні. Під час роботи кабель може схватитися у куцях, та випадково його можна перерізати лезом.
- ◆ Використання за призначенням описане у цьому керівництві з використання. Використання аксесуарів або приладдя, або виконання будь-яких дій з інструментом, що суперечать рекомендаціям цього керівництва, може призвести до ризику травмування людини та/або пошкодження майна.
- ◆ Якщо ви не використовували кущоріз раніше, рекомендується отримати практичний інструктаж від досвідченого користувача, крім вивчення цього керівництва.
- ◆ Ніколи не торкайтесь леза, коли інструмент увімкнений.
- ◆ Ніколи не намагайтесь силою зупинити леза.
- ◆ Ніколи не кладіть інструмент, доки леза повністю не зупиняться.
- ◆ Регулярно перевіряйте леза на наявність пошкоджень та зносу. Не використовуйте інструмент, якщо леза пошкоджені.
- ◆ Намагайтесь оминати тверді предмети (наприклад, металеві дроти, огорожа) при підірзанні. Якщо ви випадково торкнетесь такого предмету, негайно вимкніть інструмент та перевірте його на наявність пошкоджень.

- ◆ Якщо інструмент починає занадто сильно вібрувати, відразу вимкніть його та відключіть від мережі живлення, а потім перевірте його на наявність пошкоджень.
- ◆ Якщо інструмент застряг, негайно вимкніть його. Відключіть пристрій від мережі живлення перед тим, як витягати застрягли гілки.
- ◆ Після використання встановіть на леза футляр, що входить до комплекту поставки. Під час зберігання інструменту переконайтесь, що лезо закрито.
- ◆ При використанні інструменту переконайтесь, що всі захисні прилади встановлені на місце.
- ◆ Ніколи не використовуйте не повністю зібраний інструмент або інструмент, що був модифікований не в авторизованому сервісному центрі.
- ◆ Не дозволяйте дітям використовувати цей інструмент.
- ◆ При підстриганні верхніх гілок кущів слідкуйте за обрізками, які падають.
- ◆ Завжди тримайте інструмент обома руками та за ручки.

Залишкові ризики

Під час використання інструмента можуть виникнути додаткові залишкові ризики, які не внесено до попереджень щодо техніки безпеки в цьому посібнику. Ці ризики можуть виникнути як результат неправильного використання, тривалого використання тощо.

Незважаючи на виконання всіх відповідних правил техніки безпеки та використання захисних пристроїв, неможливо уникнути деяких залишкових ризиків. Сюди належать:

- ◆ Травми через контакт з деталями, що рухаються/обертуються.
- ◆ Травми при заміні деталей або аксесуарів.
- ◆ Травми через занадто тривале використання інструменту. При використанні будь-якого інструменту протягом тривалого періоду часу не забувайте робити регулярні перерви.
- ◆ Порушення слуху.
- ◆ Небезпека для здоров'я через вдихання пилу, що утворюється при використанні інструменту (наприклад, при роботі з деревом, особливо з дубом, березою та ДВП).

Вібрація

Значення вібрації, вказані в технічних даних та в декларації про відповідність виміряні з дотриманням стандартних методів тестування, наданих в EN 60745, та їх можна використовувати для порівняння одного інструменту з іншим. Задекларовані значення вібрації можна також використовувати для попередньої оцінки впливу вібрації.

Увага! Значення вібрації під час використання інструмента може відрізнятись від задекларованого в залежності від способів використання інструмента. Рівень вібрації може перевищувати вказані значення.

Оцінюючи вплив вібрації для визначення заходів безпеки за вимогами 2002/44/EC, щоб захистити людей, які регулярно використовують інструменти в роботі, необхідно враховувати реальні умови та способи використання інструмента, у тому числі всі періоди робочого циклу, наприклад часу, коли інструмент вимкнено та коли він знаходиться в режимі очікування, а також часу реальної роботи пристрою.

Написи на інструменті

Наведені нижче позначки нанесені на інструмент разом з кодом дати.



Увага! Щоб зменшити ризик травм, користувач повинен прочитати керівництво з експлуатації.



Використовуйте захисні окуляри при роботі з інструментом.



Використовуйте засоби захисту вух при використанні цього інструменту.



Негайно відключіть кабель від мережі живлення, якщо він пошкоджений або перерізаний.



Не залишайте інструмент під дощем та за умов підвищеної вологості.



В Директиві 2000/14/ЕС вказана гарантована звукова потужність.

Електрична безпека



Цей зарядний пристрій має подвійну ізоляцію; тому заземлення не є необхідним. Завжди перевіряйте відповідність джерела живлення напрузі, яка вказана на табличці з паспортними даними.

- ◆ Якщо шнур живлення пошкоджений, його необхідно замінити у виробника або в офіційному сервісному центрі компанії BLACK+DECKER для уникнення небезпеки.
- ◆ При використанні інструменту на вулиці використовуйте подовжувач шнур, що підходить для використання поза приміщеннями. Можна використовувати відповідний подовжувач шнур BLACK+DECKER довжиною до 30 м без втрати потужності.
- ◆ Рівень електричної безпеки можна також підвищити, використовуючи високочутливий пристрій залишкового струму (RCD) 30 mA.

Компоненти

Цей пристрій оснащено всіма або кількома з указаних нижче компонентів.

1. Ріжуче полотно
2. Захисний кожух
3. Допоміжна ручка
4. Кнопка блокування
5. Тригерний перемикач
6. Ручка перемикача
7. Фіксатор шнура

Монтаж

Увага! Перед монтажем переконайтесь, що інструмент вимкнений та відключений від мережі живлення, а також що на лезах встановлений футляр.

Встановлення захисного кожуха на куцоріз (рис. А, В)

Куцоріз постачається з захисним кожухом, який не прикріплений до нього. Прикріплення захисного кожуха:

- ◆ Витягніть гвинт, що фіксує захисний кожух, 10 за допомогою викрутки Phillips (не входить до комплекту інструменту).
- ◆ Розташуйте захисний кожух на місці, як показано на рис. А. Переконайтесь, що отвори захисного кожуха знаходяться в пазах пристрою.
- ◆ Вставте гвинт, що фіксує захисний кожух, 10 в отвір на боці захисного кожуха та добре затягніть його, як показано на рис. В.

Увага! Використовуйте куцоріз лише з правильно встановленими ручкою та захисним кожухом. Використання куцоріза без правильно встановленої ручки або захисного кожуха може призвести до серйозних травм.

Прикріплення подовжувачого шнура до куцоріза (рис. G)

Фіксатор шнура (7) знаходиться на задній стороні ручки перемикача (6).

- ◆ Зігніть кінець подовжувачого шнура ближче до його кінця так, щоб утворилася петля.
- ◆ Вставте петлю у корпус фіксатора шнура 11, як показано на рис. С.
- ◆ Повісте петлю на фіксатор шнура 7 так, щоб вона була добре закріплена у фіксаторі шнура.
- ◆ Підключіть подовжувач шнур до пристрою.

Вірне положення рук (рис. D)

Завжди тримайте куцоріз, як показано на рисунках у цьому посібнику, з однією рукою на ручці перемикача, а іншою на допоміжній ручці (рис. D). Ніколи не тримайте пристрій за захисний кожух леза.

Використання

Увага! Інструмент повинен працювати із рекомендованою швидкістю. Не перевантажуйте його.

Вмикання та вимкання

Примітка. Для вашої безпеки цей інструмент оснащено системою подійного вимкання. Система дозволяє уникати випадкового запуску пристрою та дозволяє використовувати його, тримаючи лише обома руками.

Увімкнення (рис. E)

- ◆ Щоб увімкнути інструмент, відведіть кнопку блокування (4) на допоміжній ручці (3) назад та натисніть перемикач Увімк./Вимк. (5). Коли пристрій працює, ви можете відпустити кнопку блокування. Щоб пристрій працював, необхідно постійно утримувати тригерний перемикач. Відпустіть перемикач Увімк./Вимк., щоб вимкнути інструмент.

Увага! Ніколи не намагайтесь заблокувати перемикач у положенні Увімк.

- ◆ Регулярно змащуйте леза.

Рекомендації щодо підрізання кущів

Подовжувачий шнур (рис. F)

- ◆ Завжди утримуйте подовжувачий шнур за куцорізом та подали від зони підрізання, як показано на рис. F. Ніколи не вішайте його на кущ, який підрізуєте. Якщо ви розрізали або пошкодили шнур, негайно відключіть його від мережі живлення, а потім огляньте його та відремонтуйте.

Робоче положення

- ◆ Стежте за відповідним положенням ніг та рівновагою, не перенапружуйтесь.
- ◆ Використовуйте захисні окуляри, неслизькі черевики та гумові рукавиці під час роботи.
- ◆ Міцно візьміть інструмент в обидві руки та увімкніть його. Завжди тримайте куцоріз, як показано на рис. D, з однією рукою на ручці перемикача, а іншою на допоміжній ручці. Ніколи не тримайте інструмент за захисний кожух леза.

Підрізання нових гілок (рис. G)

- ◆ Найбільш ефективно використовувати широкі розмашисті рухи, підносячи зубці леза до гілок. Найкращий результат досягається при незначному нахилі леза донизу у напрямку руху.

Увага! Не використовуйте куцоріз для підрізання гілок більше ніж на 16 мм. Використовуйте куцоріз лише для підрізання звичайних кущів біля будівель.

Вирівнювання кущів (рис.H)

- ◆ Щоб отримати рівні кущі, потрібно натягнути волосінь вздовж кущів в якості напрямної.

Підрізання кущів з боків (рис. I)

- ◆ Починайте з нижньої частини та йдіть вгору.

Ріжучі леза зроблені з високоякісної загартованої сталі, та за умов нормального використання вони не потребують повторного загострення. Однак якщо ви випадково торкнетесь дротяного паркана (рис. J), каміння, скла або інших твердих предметів, на вашому лезі може з'явитися дефект. Цей дефект можна не видаляти, якщо він не заважає лезам рухатися. Якщо він заважає лезам, відключіть шнур та скористайтесь напилком з мілкою насічкою або точильник каменем, щоб зняти цей дефект. Якщо куцоріз упав, уважно огляньте його на наявність пошкоджень. Якщо у куцоріза зігнулося лезо, тріснув корпус, зламалися ручки або виникли інші пошкодження, що можуть впливати на роботу пристрою, зверніться до місцевого сервісного центру BLACK+DECKER для виконання ремонту, перш ніж продовжувати користуватися пристроєм. Добрива та інші хімічні з'єднання, що використовуються в саду, містять речовини, що можуть збільшити ймовірність корозії металу. Не зберігайте пристрій біля добрив та інших хімічних речовин.

Приладдя

Продуктивність роботи інструмента залежить від приладдя, яке ви використовуєте. Витратні матеріали виробництва компанії BLACK+DECKER розроблені з дотриманням високих стандартів якості та створені для підвищення ефективності використання вашого інструмента. Використовуючи це обладнання, ви отримаєте максимум ефективності від вашого інструменту.

Технічне обслуговування

Ваш пристрій з кабелем або без нього виробництва компанії BLACK+DECKER призначений для роботи протягом довгого часу з мінімальним обслуговуванням. Довга задовільна робота приладу залежить від належного обслуговування приладу та регулярного його очищення. Масило для змащування можна придбати у дилерів компанії BLACK+DECKER (кат. № A6102-XJ).

Увага! Перед виконанням будь-якого технічного обслуговування інструменту зі шнуром живлення або без нього:

- ◆ Вимкніть пристрій та відключіть його від мережі живлення.
- ◆ Або вимкніть інструмент та витягніть батарею з нього, якщо ваш пристрій/інструмент має окремий акумуляторний блок.
- ◆ Або повністю розрядіть акумулятор, якщо пристрій має вбудований акумулятор, а потім вимкніть інструмент.
- ◆ Витягніть зарядний пристрій з розетки перед очищенням. Зарядний пристрій не вимагає технічного обслуговування, лише необхідно проводити регулярне очищення.
- ◆ Регулярно очищуйте вентиляційні отвори пристрою/інструменту/зарядного пристрою за допомогою м'якої щітки або сухої ганчірки.

- ◆ Регулярно очищуйте корпус мотору, використовуючи вологу ганчірку. Не використовуйте абразивні очищувачі та засоби, що містять розчинники.
- ◆ Ретельно очистіть леза після використання. Після очищення застосуйте тонкий шар машинного масла для запобігання появи іржі на лезах.

Заміна шнура живлення (тільки для Великобританії та Ірландії)

Якщо нові шнури живлення мають бути прилаштовані:

- ◆ Утилізуйте стару вилку, дотримуючись правил техніки безпеки.
- ◆ Приєднайте коричневий провідник до активного виходу нової вилки.
- ◆ Приєднайте блакитний провідник до нейтрального виходу.

Увага! Жоден провідник не повинен бути підключений до клеми заземлення. Дотримуйтеся інструкцій щодо налаштування, що поставляються з якісними вилками. Плавкий запобіжник, що рекомендується: 5 А.

Захист навколишнього середовища



Роздільний збір. Пристрої та батареї, позначені цим символом, не можна викидати зі звичайним побутовим сміттям.

Пристрої та батареї містять матеріали, які можна відновити та переробити, що зменшить потребу у сировині. Будь ласка, віддавайте електричні інструменти та батареї на переробку відповідно до місцевих постанов. Більш детальну інформацію можна отримати на сайті www.2helpU.com.

Технічні дані

		ВЕНТ201 тип 1	ВЕНТ251 тип 1
Напруга	V_{AC}	230	230
Вхідна потужність	Вт	420	450
Довжина ходу леза (без навантаження)	хв. ⁻¹	1960	1815
Довжина леза	см	45	50
Зазор леза	мм	16	18
Час зупинки леза	с	<1	<1
Вага	кг	1,91	2,16

Рівень звукового тиску згідно з EN 60745:

Звуковий тиск на місці роботи оператора (L_{pWA}) 85 дБ(A), похибка (K) 3 дБ(A)

Звукова потужність (L_{WA}) 97 дБ(A), похибка (K) 2,5 дБ(A)

Загальні значення вібрації (векторна сума трьох векторів) згідно з EN 60745:

Значення вібрації при роботі ($a_{h,r}$) 2,5 м/с², похибка (K) 1,5 м/с²

Декларація про відповідність нормам ЄС

ДИРЕКТИВА ДЛЯ МЕХАНІЧНОГО ОБЛАДНАННЯ
ДИРЕКТИВА ПРО ШУМИ, ЩО ВИНИКАЮТЬ ПОЗА
ПРИМІЩЕННЯМИ



ВЕНТ201, ВЕНТ251 – кущоріз

Компанія Black & Decker заявляє, що продукти, описані в розділі
«Технічні дані» відповідають:
2006/42/EC, EN 60745-1:2009 +A11:2010,
EN 60745-2-15:2009 +A1:2010

2000/14/EC, кущоріз, Додаток V

Виміряна звукова потужність (L_{WA}) 97 дБ(A)

Похибка (K) 2,5 дБ(A)

Гарантована звукова потужність (L_{WA}) 100 дБ(A)

Ці продукти також відповідають Директиві 2014/30/EU
і 2011/65/EU.

Для отримання додаткової інформації, будь ласка, зверніться
до компанії Black & Decker за наведеною нижче адресою або
прочитайте інформацію на зворотному боці цього посібника.

Нижчепідписаний несе відповідальність за упорядкування файлу
технічних характеристик та робить цю заяву від компанії
Black & Decker.

Р. Лаверік (R. Laverick),
Технічний директор
Black & Decker Europe,
210 Bath Road, Slough,
Berkshire, SL1 3YD
United Kingdom (Великобританія)
26.10.2017

Гарантія

Компанія Black & Decker впевнена у якості своєї продукції та пропонує споживачам гарантію тривалістю 24 місяці з дати покупки. Ця гарантія доповнює і жодним чином не обмежує ваші законні права. Ця гарантія є чинною на території країн-членів Європейського Союзу та в європейській зоні вільної торгівлі.

Позов за гарантією повинен відповідати умовам компанії Black & Decker, при цьому вам необхідно надати доказ покупки продавцю або спеціалісту офіційного сервісного центру. Умови 2-річної гарантії компанії Black & Decker та місцезнаходження найближчого сервісного центру можна дізнатися в інтернеті на сайті **www.2helpu.com** або звернутися до місцевого представництва компанії Black & Decker за адресою, вказаною у цьому керівництві.

Будь ласка, відвідайте наш сайт **www.blackanddecker.ua**, щоб зареєструвати свій новий продукт Black & Decker та отримувати інформацію про нові продукти та спеціальні пропозиції.



Виробник:
"Stanley Black & Decker Deutschland
GmbH" Black-&-Decker Str.40, D-65510
Idstein, Німеччина



ГАРАНТІЙНИЙ ТАЛОН

2 РОКИ
ГАРАНТІЇ

1. Вітаємо Вас з покупкою високоякісного виробу Black+Decker і висловлюємо вдячність за Ваш вибір.
2. При покупці виробу вимагайте перевірки його комплектності і справності у Вашій присутності, інструкцію з експлуатації та заповнений гарантійний талон українською мовою. В гарантійному талоні повинні бути внесені: модель, дата продажу, серійний номер, дата виробництва інструменту; назва, печатка і підпис торгової організації. За відсутності у Вас правильно заповненого гарантійного талону, а також при невідповідності зазначених у ньому даних ми будемо змушені відхилити Ваші претензії щодо якості даного виробу.
3. Щоб уникнути непорозумінь, переконливо просимо Вас перед початком роботи з виробом уважно ознайомитися з інструкцією з його експлуатації. Правовою основою справжніх гарантійних умов є чинне Законодавство. Гарантійний термін на даний виріб складає 24 місяці і обчислюється з дня продажу. У разі усунення недоліків виробу, гарантійний строк продовжується на період його перебування в ремонті. Термін служби виробу становить 5 років з дня продажу.
4. У разі виникнення будь-яких проблем у процесі експлуатації виробу рекомендуємо Вам звертатися тільки в уповноважені сервісні центри Black+Decker, адреси та телефони яких Ви зможете знайти в гарантійному талоні, на сайті www.2helpU.com або дізнатися в магазині. Наші сервісні станції - це не тільки кваліфікований ремонт, але і широкий асортимент запчастин і аксесуарів.
5. Виробник рекомендує проводити періодичну перевірку і технічне обслуговування виробу в уповноважених сервісних центрах.
6. Наші гарантійні зобов'язання поширюються тільки на несправності, виявлені протягом гарантійного терміну і викликані дефектами виробництва та \ або матеріалів.
7. Гарантійні умови не поширюються на несправності виробу, що виникли в результаті:
 - 7.1. Недотримання користувачем приписів інструкції з експлуатації виробу, застосування виробу не за призначенням, неправильного зберігання, використання приладдя, витратних матеріалів і запчастин, що не передбачені виробником.
 - 7.2. Механічного пошкодження (відколи, тріщини і руйнування) внутрішніх і зовнішніх деталей виробу, основних і допоміжних рукояток, мережевого кабелю, що викликані зовнішнім ударним або будь-яким іншим впливом
 - 7.3. Потраплення у вентиляційні отвори та проникнення всередину виробу сторонніх предметів, матеріалів або речовин, що не є відходами, які супроводжують застосування виробу за призначенням, такими як: стружка, тирса, пісок, та ін.
 - 7.4. Впливу на виріб несприятливих атмосферних і інших зовнішніх факторів, таких як дощ, сніг, підвищена вологість, нагрівання, агресивні середовища, невідповідність параметрів електромережі, що зазначені на інструменті.
 - 7.5. Стихійного лиха. Пошкодження або втрати виробу, що пов'язані з непередбаченими лихами, стихійними явищами, у тому числі внаслідок дії непереборної сили (пожежа, блискавка, потоп і інші природні явища), а також внаслідок перепадів напруги в електромережі та іншими причинами, які знаходяться поза контролем виробника.
8. Гарантійні умови не поширюються:
 - 8.1. На інструменти, що піддавались розкриттю, ремонту або модифікації поза уповноваженим сервісним центром.
 - 8.2. На деталі, вузли та матеріали, що мають сліди природного зносу, такі як: приводні ремені і колеса, вузькі щітки, мастило, підшипники, зубчасті зчеплення редукторів, гумові ущільнення, сальники, направляючі ролики, муфти, вимикачі, бойки, штовхачі, стволи тощо.
 - 8.3. На змінні частини: патрони, цанги, затискні гайки і фланці, фільтри, ножі, шліфувальні підшви, ланцюги, зірочки, пильні шини, захисні кожухи, пилки, абразиви, пильні і абразивні диски, фрези, свердла, бури тощо
 - 8.4. На несправності, що виникли в результаті перевантаження інструменту (як механічного, так і електричного), що спричинили вихід з ладу одночасно двох і більше деталей і вузлів, таких як: ротора і статора, обох обмоток статора, веденої і ведучої шестерень редуктора або інших вузлів і деталей. До безумовних ознак перевантаження виробу відносяться, крім інших: поява кольорів мільнивости, деформація або оплавлення деталей і вузлів виробу, потемніння або обвуглювання ізоляції проводів електродвигуна під впливом високої температури.

Товар отриманий в справному стані, без видимих ушкоджень, в повній комплектації, перевірений у моїй присутності, претензій щодо якості товару не маю. З умовами гарантійного обслуговування ознайомлений і згоден.

П. І. Б. та підпис власника

Шановні клієнти, наша мережа авторизованих сервісних центрів постійно розширюється. Актуальну інформацію про обслуговування в місті, що цікавить вас, ви можете дізнатися на сайті

www.2helpU.com

Інформація про інструмент

Найменування інструменту	
Модель	
Найменування продавця	
Дата продажу	

М.П.
Продавця

Серійний номер/Дата виробництва

Інструмент	
Зарядний пристрій	
Акумулятор 1	
Акумулятор 2	

На сайті www.2helpU.com доступні наступні функції:

- Список авторизованих сервісних центрів
- Зручний пошук найближчого сервісного центру
- Керівництво з експлуатації
- Технічні характеристики
- Список деталей і запасних частин
- Схема складання інструменту



Також дану інформацію ви можете отримати,
зателефонувавши за номером:
0 (800) 211 521 в Україні

ВІДМІТКА ПРО ПРОВЕДЕННЯ СЕРВІСНОГО ОБСЛУГОВУВАННЯ

№1	№2	№3	№4
№ замовлення	№ замовлення	№ замовлення	№ замовлення
Дата прийому	Дата прийому	Дата прийому	Дата прийому
Дата ремонту	Дата ремонту	Дата ремонту	Дата ремонту
Печатка і підпис сервісного центру	Печатка і підпис сервісного центру	Печатка і підпис сервісного центру	Печатка і підпис сервісного центру