

Arctic 

AML-220

CHEST FREEZER

МОРОЗИЛЬНЫЙ ЛАРЬ

МОРОЗИЛЬНА СКРИНЯ



CHEST FREEZER

Dear Buyer!

We congratulate you on having bought the device under trade name "Arctic". We are sure that our devices will become essential and reliable assistance in your housekeeping.

Avoid extreme temperature changes. Rapid temperature change (e.g. when the unit is moved from freezing temperature to a warm room) may cause condensation inside the unit and a malfunction when it is switched on. In this case leave the unit at room temperature for at least 1.5 hours before switching it on. If the unit has been in transit, leave it indoors for at least 1.5 hours before starting operation.

SAFETY INFORMATION

In the interest of your safety and to ensure the correct use, before installing and first using the appliance, read this user manual carefully, including its hints and warnings. To avoid unnecessary mistakes and accidents, it is important to ensure that all people using the appliance are thoroughly familiar with its operation and safety features. Save these instructions and make sure that they remain with the appliance if it is moved or sold, so that everyone using it through its life will be properly informed on appliance use and safety. For the safety of life and property keep the precautions of these user's instructions as the manufacturer is not responsible for damages caused by omission.

Children and vulnerable people safety:

- This appliance can be used by children older 8 years and persons with limited physical, sensory or mental capabilities, or lack of experience and knowledge if they are under the supervision of an adult or are trained to use the device in a safe way and understand the hazards involved.
- Ensure that children do not play with the appliance.
- Children aged from 3 to 8 should not connect, set or clean the appliance, or perform the servicing. Keep all packaging well away from children.
- There is risk of suffocation.

If you are discarding the appliance pull the plug out of the socket, cut the connection cable (as close to the appliance as you can) and remove the door to prevent playing children to suffer electric shock or to close themselves into it.

General safety:

WARNING! Keep ventilation openings, in the appliance enclosure or in the built-in structure, clear of obstruction.

WARNING! Do not use mechanical devices or other means to accelerate the defrosting process, other than those recommended by the manufacturer.

WARNING! Do not damage the refrigerant circuit.

WARNING! Do not use other electrical appliances (such as ice cream makers) inside of refrigerating appliances, unless they are approved for this purpose by the manufacturer. Do not store explosive substances such as aerosol cans with a flammable propellant in this appliance.

The refrigerant isobutane (R600a) is contained within the refrigerant circuit of the appliance, a natural gas with a high level of environmental compatibility, which is nevertheless flammable.

During transportation and installation of the appliance, be certain that none of the components of the refrigerant circuit become damaged.

- avoid open flames and sources of ignition;

- thoroughly ventilate the room in which the appliance is situated.

It is dangerous to alter the specifications or modify this product in any way. Any damage to the cord may cause a short circuit, fire and/or electric shock.

This appliance is intended to be used in household and similar applications such as

- staff kitchen areas in shops, offices and other working environments;
- farm houses and by clients in hotels, motels and other residential type environments;
- bed and breakfast type environments;
- catering and similar non-retail applications.

WARNING! Any electrical components (plug, power cord, compressor etc.) must be replaced by a certified service agent or qualified service personnel.

Power cord must not be lengthened.

Make sure that the power plug is not squashed or damaged by the back of the appliance. A squashed or damaged power plug may overheat and cause a fire.

Make sure that you can come to the mains plug of the appliance.

Do not pull the mains cable.

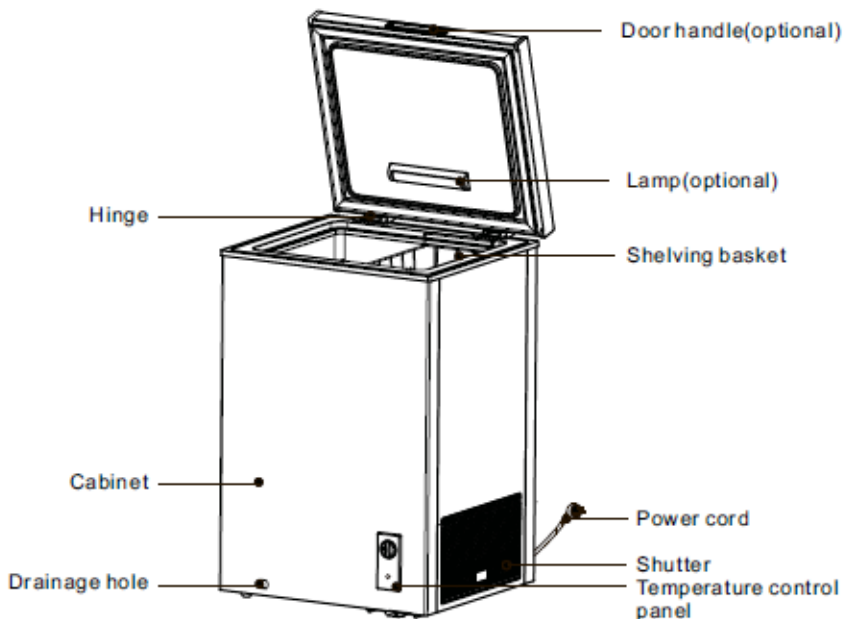
If the power plug socket is loose, do not insert the power plug. There is a risk of electric shock or fire.

This appliance is heavy. Care should be taken when moving it.

Do not remove nor touch items from the freezer compartment if your hands are damp/wet, as this could cause skin abrasions or frost/freezer burns. Avoid prolonged exposure of the appliance to direct sunlight.

Service life – 2 years.

Before putting into operation shelf life is unlimited.



Installation

Important!

For electrical connection carefully follow the instructions given in specific paragraphs.

Unpack the appliance and check if there are damages on it. Do not connect the appliance if it is damaged. Report possible damages immediately to the place you bought it. In that case retain packing.

It is advisable to wait at least four hours before connecting the appliance to allow the oil to flow back in the compressor.

Adequate air circulation should be around the appliance, lacking this leads to overheating. To achieve

sufficient ventilation follow the instructions relevant to installation.

The appliance must not be located close to radiators or cookers.

Make sure that the mains plug is accessible after the installation of the appliance.

Energy saving

Don't put hot food in the appliance;

Don't pack food close together as this prevents air circulating;

Make sure food don't touch the back of the compartment(s);

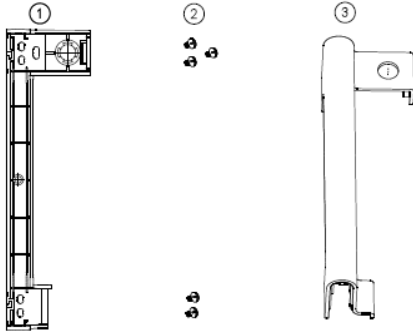
If electricity goes off, don't open the door(s);

Don't open the door(s) frequently;

Don't keep the door(s) open for too long time;

Don't set the thermostat on exceeding cold temperatures;
Some accessories, such as drawers, can be removed to get larger storage volume and lower energy consumption.

Install door external handle



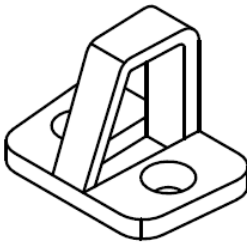
The install of handle

1. Pick out the external handle with lock (1) and button-head screw (2).
2. Install external handle on the door and fix by button-head screw (2).
3. Put the handle cover (3) on the back of handle and fix on the way of orbit.

The install of suspension loop

1. Pick out button-head screw (2) and suspension loop (4).
2. Fix the suspension loop (4) on the cabinet with button-head screw (2).

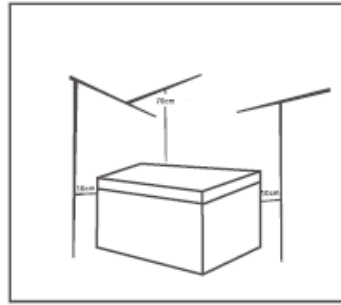
④



Space Requirement

The following are recommend.
Clearances around the chest freezer

Sides	10cm
Back	10cm
Top	70cm



Positioning

Install this appliance at a location where the ambient temperature corresponds to the climate class indicated on the rating plate of the appliance:

Climate class	Ambient temperature
SN	+10°C to +32°C
N	+16°C to +32°C
ST	+16°C to +38°C
T	+16°C to +43°C

Electrical connection

Before plugging in, ensure that the voltage and frequency shown on the rating plate correspond to your domestic power supply. The appliance must be earthed. The power supply cable plug is provided with a contact for this purpose. If the domestic power supply socket is not earthed, connect the appliance to a separate earth in compliance with current regulations, consulting a qualified electrician.

The manufacturer declines all responsibility if the above safety precautions are not observed. This appliance complies with the E.E.C. Directives.

DAILY USE

Do not put hot on the plastic parts in the appliance.

Frozen food must not be re-frozen once it has been thawed out.

Store pre-packed frozen food in accordance with the frozen food manufacture's instructions.

Appliance's manufactures storage recommendations should be strictly adhered to. Refer to relevant instructions.

Do not place carbonated or fizzy drinks in the freezer compartment as it creates pressure on the container,

which may cause it to explode, resulting in damage to the appliance. Ice lollies can cause frost burns if consumed straight from the appliance.

First use

Cleaning the interior

Before using the appliance for the first time, wash the interior and all internal accessories with lukewarm water and some neutral soap so as to remove the typical smell of a brand new product, then dry thoroughly.

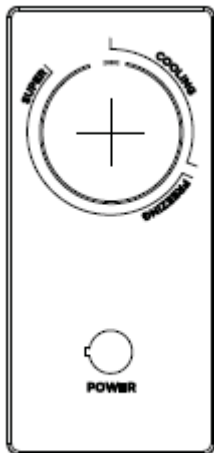
Important! Do not use detergents or abrasive powders, as these will damage the finish.

Temperature Control

Please electrify the chest freezer, the "POWER" lamp will shine (green light). Rotate the thermostat knob clockwise, the temperature inside chest freezer will be lower and lower.

"COOLING" means cooling zone, "FREEZING--SUPER" means the freezing zone.

When set the thermostat knob to "SUPER" position, the chest freezer enters into super freeze mode, during this mode the compressor keeps running without interruption.



•The appliance may not operate at the correct temperature if it is in a particularly hot or if you open the door often.

Daily use

Freezing fresh food

•The freezer compartment is suitable for freezing fresh food and storing

frozen and deep-frozen food for a long time.

•Place the fresh food to be frozen in the bottom compartment.

•The maximum amount of food that can be frozen in 24 hours is specified on the rating plate.

•The freezing process lasts 24 hours: during this period do not add other food to be frozen.

Storing frozen food

When first starting-up or after a period out of use. Before putting the product in the compartment let the appliance run at least 2 hours on the higher settings.

Important! In the event of accidental defrosting, for example the power has been off for longer than the value shown in the technical characteristics chart under "rising time", the defrosted food must be consumed quickly or cooked immediately and then re-frozen (after cooked).

Thawing

Deep-frozen or frozen food, prior to be used, can be thawed in a fridge compartment or at room temperature, depending on the time available for this operation.

Small pieces may even be cooked still frozen, directly from the freezer. In this case, cooking will take longer.

Helpful hints and tips

Hints for freezing

To help you make the most of the freezing process, here are some important hints:

•The maximum quantity of food which can be frozen in 24 hrs. is shown on the rating plate;

•The freezing process takes 24 hours. No further food to be frozen should be added during this period;

•Only freeze top quality, fresh and thoroughly cleaned foodstuffs;

•Prepare food in small portions to enable it to be rapidly and completely frozen and to make it possible subsequently to thaw only the quantity required;

•Wrap up the food in aluminium foil or polythene and make sure that the packages are airtight;

•Do not allow fresh, unfrozen food to touch food which is already frozen, thus avoiding a rise in temperature of the latter;

•Lean foods store better and longer than fatty ones; salt reduces the storage life of food;

•Water ices, if consumed immediately after removal from the freezer

compartment, can possibly cause the skin to be freeze burnt;

- It is advisable to show the freezing in date on each individual pack to enable you to keep tab of the storage time.

Hints for storage of frozen food

To obtain the best performance from this appliance, you should:

- make sure that the commercially frozen foodstuffs were adequately stored by the retailer;
- be sure that frozen foodstuffs are transferred from the food store to the freezer in the shortest possible time;
- not open the door frequently or leave it open longer than absolutely necessary.
- Once defrosted, food deteriorates rapidly and cannot be refrozen.
- Do not exceed the storage period indicated by the food manufacturer.

CARE AND CLEANING

For hygienic reasons the appliance interior, including interior accessories, should be cleaned regularly. Regularly examine the drain in the chest freezer for defrosted water. If necessary, clean the drain.

Caution! The appliance may not be connected to the mains during cleaning. Danger of electrical shock! Before cleaning switch the appliance off and remove the plug from the mains, or switch off or turn out the circuit breaker or fuse. Do not clean the appliance with metal objects.

Do not use sharp objects to remove frost from the appliance. Use a plastic scraper.

Never clean the appliance with a steam cleaner. Moisture could accumulate in electrical components, danger of electrical shock! Hot vapors can lead to the damage of plastic parts.

The appliance must be dry before it is placed back into service.

Important! Ethereal oils and organic solvents can attack plastic parts, e.g. lemon juice or the juice from orange peel, butyric acid, cleanser that contain acetic acid. Do not allow such substances to come into contact with the appliance parts.

Do not use any abrasive cleaners.

Cleaning

- Remove the food from the freezer. Store them in a cool place, well covered.

- Switch the appliance off and remove the plug from the mains, or switch off or turn out the circuit breaker or fuse.

- Clean the appliance and the interior accessories with a cloth and lukewarm water. After cleaning wipe with fresh water and rub dry.

- Accumulation of dust at the condenser increases energy consumption. For this reason carefully clean the condenser at the back of the appliance once a year with a soft brush or a vacuum cleaner (if the condenser is at back of appliance.)

- After everything is dry place the appliance back into service.

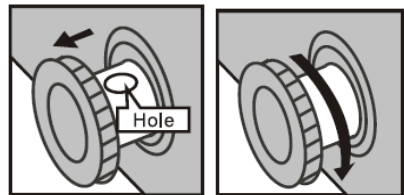
Defrosting the freezer

The freezer, however, will become progressively covered with frost. This should be removed.

Never use sharp metal tools to scrape off frost from the evaporator as you could damage it.

However, when the ice becomes very thick on the inner liner, complete defrosting should be carried out as follows:

- Unplug the unit. Remove the drain plug from the inside of the freezer. Defrosting usually takes a few hours. To defrost faster keep the freezer door open.
- For draining, place a tray beneath the outer drain plug. Pull out the drain dial.



- Rotate the drain dial 180 degree. This will let the water flow out in the tray. When done, push the drain dial in. Re-plug the drain plug inside the freezer compartment. Note: monitor the container under the drain to avoid overflow.

- Wipe the interior of the freezer and replace the electrical plug in the electrical outlet.

- Reset the temperature control to the desired setting.

Service

Any electrical work required to do the servicing of the appliance should be carried out by a qualified electrician or

competent person. This product must be serviced by an authorized Service Center, and only genuine spare parts must be used.

Troubleshooting

Caution! Before troubleshooting, disconnect the power supply. Only a

qualified electrician or a competent person must do the troubleshooting that is not in this manual.

Important! There are some sounds during normal use (compressor, refrigerant circulation).

Problem	Possible cause	Solution
Appliance does not work	Mains plug is not plugged in or is loose	Insert mains plug
	Fuse has blown or is defective	Check fuse, replace if necessary
	Socket is defective	Mains malfunctions are to be corrected by an electrician
Appliance freezes too much	Temperature is set too cold or the appliance runs at Super setting	Turn the temperature regulator to a warmer setting temporarily
The food is not frozen enough	Temperature is not properly adjusted	Please look in the initial Temperature Setting section
	Door was open for an extended period	Open the door only for as long as necessary
	A large quantity of warm food was placed in the appliance within the last 24 hours	Turn the temperature regulation to a colder setting temporarily
	The appliance is near a heat source	Please look in the installation location section
Heavy build-up of frost on the door seal	Door seal is not air-tight	Carefully warm the leaking sections of the door seal with a hair dryer (on a cool setting). At the same time shape the warmed door seal by hand such that it sits correctly
Unusual noises	The appliance is touching the wall or other objects	Move the appliance slightly
	A component, e.g. a pipe, on the rear of the appliance is touching another part of the appliance or the wall	If necessary, carefully bend the component out of the way

STORAGE CONDITIONS

The product is recommended to be stored under warehouse or home conditions and to be transported by any type of public closed transport in an available individual consumer packaging. The storage location (transporting) should not be exposed to moisture, direct sunlight and should exclude the possibility of mechanical damage. If the appliance is not used for a long time, it should be dust protected and stored in a clean, dry place. If the malfunction appears again, contact the Service Center.

SPECIFICATIONS

Freezer capacity: 220 L
 Total input power: 105 W
 Energy consumption: 0.60 kW/24 h
 Rated voltage: 220-240 V
 Rated frequency: 50 Hz
 Rated current: 0.9 A
 Net weight: 36,60 kg

SET

CHEST FREEZER 1
 INSTRUCTION MANUAL 1
 WARRANTY BOOK 1
 PACKAGE 1

ENVIRONMENT FRIENDLY DISPOSAL



You can help protect the environment! Please remember to respect the local regulations: hand in the non-working electrical equipment to an appropriate waste disposal center.

The manufacturer reserves the right to change the specification and design of goods.



МОРОЗИЛЬНЫЙ ЛАРЬ

Уважаемый покупатель!
Поздравляем Вас с приобретением изделия торговой марки "Arctic". Мы уверены, что наши изделия будут верными и надежными помощниками в Вашем домашнем хозяйстве.
Не подвержайте устройству резким перепадам температур. Резкая смена температуры (например, внесение устройства с мороза в теплое помещение) может вызвать конденсацию влаги внутри устройства и нарушить его работоспособность при включении. Устройство должно отстояться в теплом помещении не менее 1,5 часов.
Ввод устройства в эксплуатацию после транспортировки производить не ранее, чем через 1,5 часа после внесения его в помещение.

ПРАВИЛА БЕЗОПАСНОСТИ

В интересах вашей безопасности и для обеспечения правильной работы, перед установкой и первым использованием прибора внимательно прочитайте эту инструкцию, в том числе рекомендации и предупреждения. Чтобы избежать нежелательных ошибок и несчастных случаев, важно, чтобы все пользователи были ознакомлены с правилами эксплуатации прибора и правилами техники безопасности. Храните эту инструкцию вместе с прибором, если он перевозится, чтобы каждый пользователь был ознакомлен с правилами эксплуатации и безопасности. Для обеспечения безопасности жизни и имущества придерживайтесь мер предосторожности,

приведенных в данной инструкции по эксплуатации, поскольку производитель не несет ответственности за ущерб, причиненный в результате несоблюдения указаний.

Безопасность детей и инвалидов:

- Данный прибор может использоваться детьми в возрасте от 8 лет и старше и лицами с ограниченными физическими, сенсорными или умственными способностями или отсутствием опыта и знаний, если они находятся под надзором или проинструктированы относительно безопасного использования прибора и у них есть понимание связанной с этим опасности.
- Дети не должны играть с прибором.
- Дети в возрасте от 3 лет и младше 8 лет не должны подключать, регулировать и чистить прибор или выполнять обслуживание.
- Если вы захотите выбросить морозильный ларь, отрежьте от него шнур питания как можно короче и снимите крышку, для того, чтобы дети играя с ним на улице не заперли себя случайно в ларе или не получили удар током.

Общие правила безопасности:

- ВНИМАНИЕ!** Никогда не загромождайте вентиляционные отверстия прибора.
 - ВНИМАНИЕ!** Не используйте механические устройства или другие средства для ускорения процесса размораживания, кроме рекомендованных производителем.
 - ВНИМАНИЕ!** Не повредите систему циркуляции хладагента.
 - ВНИМАНИЕ!** Не используйте другие электроприборы (например, мороженицы) внутри морозильного ларя, если они не одобрены для этой цели изготовителем.
- Не храните в морозильном ларе взрывоопасные вещества, такие как аэрозольные баллончики с легковоспламеняющимся топливом. Хладагент изобутан (R600a), содержащийся в системе циркуляции, - это газообразное вещество с высоким уровнем экологической совместимости. Тем не менее, оно легко воспламеняется. Во время транспортировки и установки прибора следите, чтобы не повредились детали системы циркуляции хладагента.
- держите прибор вдали от открытого огня и источников возгорания.

- хорошо проветривайте помещение, где находится морозильный ларь. Запрещено изменять технические характеристики прибора. Любое повреждение шнура питания может привести к короткому замыканию, пожару и/или поражению электрическим током.

Прибор предназначен для использования в домашнем хозяйстве, а также:

- в кухнях заведений общественного питания, офисов и организаций;
- в коттеджах, отелях, мотелях и других подобных заведениях;
- в заведениях типа «ночлег и завтрак»;
- для кейтеринговых организаций.

ВНИМАНИЕ! Любые электрические детали (шнур, штепсель, компрессор и т.д.) в случае необходимости должны быть заменены агентом авторизованного сервисного центра или квалифицированным специалистом.

Запрещено удлинять шнур питания.

Следите, чтобы не прижать шнур питания ларем. Прижатый шнур может перегреться и вызвать возгорание.

Обеспечьте свободный доступ к розетке.

Не тяните за шнур, вынимая штепсель из розетки.

Если штепсель неплотно держится в розетке, не вставляйте его в такую розетку во избежание риска электрошока или возгорания. Будьте осторожны при перемещении прибора, так как он очень тяжелый. Не вынимайте и не трогайте предметы из морозильного ларя, если ваши руки влажные/мокрые, так как это может привести к повреждению или обморожению кожи рук.

Избегайте длительного воздействия на прибор прямых солнечных лучей.

Срок службы – 2 года.

До введения в эксплуатацию срок хранения неограничен.

ЧАСТИ ПРИБОРА



УСТАНОВКА

Важно! При подключении к электросети внимательно следуйте инструкциям. Распакуйте прибор и проверьте на наличие повреждений. Не подключайте прибор, если он поврежден. Немедленно сообщите о проблеме продавцу. В этом случае не выбрасывайте упаковку.

Рекомендуется подождать не менее четырех часов, прежде чем подключать прибор, чтобы масло затекло обратно в компрессор. Достаточная циркуляция воздуха должна быть обеспечена в месте нахождения прибора, иначе прибор может перегреться. Для обеспечения достаточной вентиляции следуйте инструкциям в разделе «Размещение».

Нельзя размещать морозильный ларь вблизи батарей отопления и кухонных плит.
При размещении прибора обеспечьте легкий доступ к розетке.

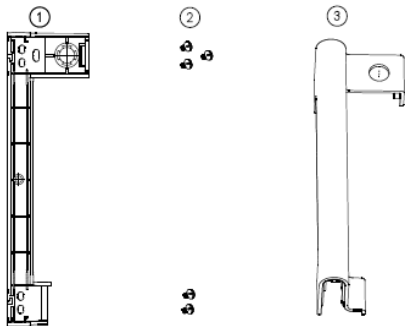
Экономия электроэнергии

Не кладите горячую пищу в морозильник;
Не кладите продукты вплотную друг к другу, так как это препятствует циркуляции воздуха;
Следите, чтобы продукты не касались задней стенки морозильника;
Если пропадает ток, не открывайте крышку морозильного ларя;
Не открывайте крышку слишком часто;
Не держите крышку открытой слишком долго;
Не устанавливайте термостат на чрезмерно низкую температуру;
Некоторые аксессуары (например, корзину) можно вынуть для увеличения места и уменьшения потребления электроэнергии.

Установка наружной ручки крышки

Установка ручки

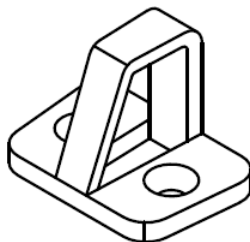
1. Возьмите наружную ручку с замком (1) и винты (2).
2. Приложите наружную ручку к крышке и закрепите ее винтами (2).
3. Наденьте чехол (3) на ручку и зафиксируйте его.



Установка подвесной петли

1. Возьмите винты (2) и подвесную петлю (4).
2. Закрепите подвесную петлю (4) на корпусе с помощью винтов (2).

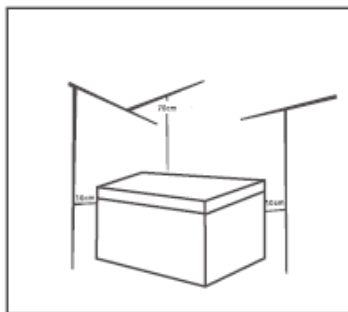
④



Размещение

Рекомендуются следующие расстояния от ларя

От боковых сторон	10 см
От задней стенки	10 см
От крышки	70 см



Температурные условия

Установите прибор в месте, где температура окружающей среды соответствует климат-классу, указанному на заводской табличке прибора:

Климат-класс	Окружающая t°
SN	+10°C +32°C
N	+16°C +32°C
ST	+16°C +38°C
T	+16°C +43°C

Подключение к электросети

Перед подключением убедитесь, что напряжение и частота, указанные на заводской табличке, соответствуют параметрам вашей электросети. Прибор необходимо заземлить. В штепселе отсутствует контакт для заземления. Если в розетке нет контакта для заземления, подключите прибор к отдельному заземлению (обратитесь к квалифицированному электрику).

Производитель не несет ответственности, если пользователь не соблюдает технику безопасности. Этот прибор соответствует директивам Е.Е.С.

ЭКСПЛУАТАЦИЯ

Не ставьте горячие предметы на пластиковые части прибора.
Не замораживайте ранее размороженные продукты повторно.
Храните упакованные замороженные продукты в соответствии с инструкциями производителя продуктов.
Строго придерживайтесь правил хранения продуктов, как описано ранее в этой инструкции.
Не кладите в морозильник газированные напитки, так как тара может лопнуть и повредить внутреннюю камеру.
Не употребляйте мороженное, только что вынутое из морозильника, так как оно может вызвать обморожение.

Перед первым использованием

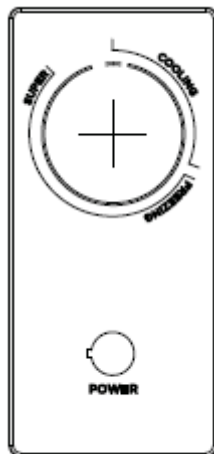
Очистка внутренней камеры

Перед первым использованием прибора помойте внутреннюю камеру и аксессуары теплой мыльной водой, чтобы устранить типичный заводской запах, затем аккуратно протрите насухо.

Важно! Не используйте моющие средства или абразивные порошки, так как они могут повредить поверхность.

Температурные режимы

Включите морозильный ларь в розетку - загорится лампочка «POWER» (Питание) (зеленый свет). Вращайте ручку термостата по часовой стрелке, температура внутри морозильного ларя будет опускаться все ниже и ниже.
"COOLING" («ОХЛАЖДЕНИЕ») означает область охлаждения,
«FREEZING—SUPER» («СУПЕР ЗАМОРОЖЕНИЕ») - означает область замораживания.
Если ручка термостата установлена в положение «СУПЕР», морозильный ларь переходит в режим суперзамораживания, в этом режиме компрессор продолжает работать без перерыва.



- Прибор может не достичь нужной температуры, если окружающая температура слишком высока или если часто открывать крышку прибора.

Ежедневное использование

Замораживание свежих продуктов

- Морозильный ларь предназначен для замораживания свежих продуктов и хранения замороженных продуктов в течение длительного времени.
- Кладите свежие продукты в нижнее отделение камеры.
- Максимальное количество продуктов для замораживания за 24 часа указано на заводской табличке.
- Процесс заморозки длится 24 часа: в этот период не добавляйте другие продукты для замораживания.

Хранение замороженных продуктов

При первом использовании или после долгого перерыва в работе, прежде чем положить продукты, дайте морозильному ларю поработать пустым в течение 2 часов в режиме мороза.

Важно! В случае непредвиденного размораживания, например, при долговременном отключении электроэнергии, необходимо быстро употребить/приготовить размороженные продукты.

Размораживание продуктов

Замороженные продукты перед употреблением можно разморозить в холодильнике или при комнатной

температуре, в зависимости от времени, которым вы располагаете. Небольшие кусочки можно начинать готовить еще замороженными, но готовка займет больше времени.

Полезные советы

Замораживание:

Для более эффективного замораживания придерживайтесь таких рекомендаций:

- Максимальное количество продуктов для замораживания за 24 часа указано на заводской табличке;
- Процесс замораживания занимает 24 часа. В этот период не добавляйте другие продукты для замораживания;
- Замораживайте только высококачественные, свежие и хорошо вымытые продукты;
- Делите продукты для заморозки на небольшие порции для более быстрого замораживания и для удобства их последующего размораживания;
- Тщательно заворачивайте продукты в алюминиевую фольгу или пищевую пленку;
- Следите, чтобы незамороженные продукты не соприкасались с уже замороженными;
- Постные продукты хранятся лучше и дольше, чем жирные. Соль сокращает время хранения продуктов;
- Замороженные напитки, употребляемые сразу из морозильника, могут вызвать обморожение кожи;
- Для удобства рекомендуется проставлять даты замораживания на упаковках продуктов.

Советы по хранению замороженных продуктов

Для наиболее эффективного использования морозильного ларя:

- убедитесь, что купленные замороженные продукты правильно хранились в магазине;
- доставляйте купленные замороженные продукты в морозильный ларь как можно быстрее;
- не открывайте крышку морозильного ларя слишком часто или дольше, чем это необходимо.
- После размораживания продукта не замораживайте его повторно.
- Не превышайте сроки хранения, указанные производителем продукта.

ЧИСТКА И УХОД

В целях гигиены следует регулярно чистить внутреннюю камеру прибора и аксессуары.

Регулярно проверяйте сливное отверстие и удаляйте воду в случае ее наличия.

Осторожно! Прибор следует выключить и отключить от электросети перед чисткой во избежание удара током. Не очищайте морозильный ларь с помощью металлических предметов. Не пользуйтесь острыми предметами, чтобы удалить лед. Пользуйтесь пластиковым скребком. Запрещается чистить морозильный ларь паровым очистителем, так как влага может собраться в электрических частях и вызвать замыкание. Горячий пар может повредить пластиковые детали. Прибор необходимо полностью просушить перед последующим использованием.

Важно! Эфирные масла и органические растворители (например, лимонный сок, сок из шкурки апельсина, масляная кислота, уксус) могут повредить пластиковые детали. Следите, чтобы такие вещества не контактировали с частями прибора. Не используйте абразивные чистящие средства.

Процедура чистки

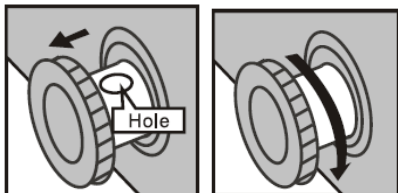
- Выньте продукты из морозильного ларя. Положите их в прохладное место, хорошо укройте.
- Включите прибор и отключите его от электросети.
- Очистите внутреннюю камеру и аксессуары тканью, смоченной в теплой, слегка мыльной воде. Затем очистите ткань, смоченной чистой водой. Затем протрите насухо.
- Накопление пыли на конденсаторе увеличивает потребление энергии. По этой причине тщательно очищайте конденсатор один раз в год мягкой щеткой или пылесосом.
- После полного просыхания морозильный ларь готов к работе.

Размораживание ларя

Со временем слой льда в морозильном ларе утолщается. Его необходимо удалять. Запрещается использовать острые металлические предметы для удаления льда, так как они могут повредить прибор. Когда лед внутри становится очень толстым, следует проводить полное

размораживание следующим образом:

- Отключите прибор от электросети. Выньте пробку из сливного отверстия внутри морозильного ларя. Размораживание обычно занимает несколько часов. Для ускорения процесса откройте крышку морозильного ларя.
- Для слива воды поставьте поддон под внешнее сливное отверстие. Выдвиньте диск сливного отверстия.



- Поверните диск на 180 градусов, чтобы вода стекла в поддон. Когда вся вода выльется, задвиньте диск сливного отверстия. Закройте пробкой сливное отверстие внутри морозильного ларя. **Примечание:**

следите, чтобы поддон не переполнился.

- Вытрите насухо внутреннюю камеру и вставьте штепсель в розетку.
- Поверните ручку термостата в желаемое положение.

Обслуживание

Все электротехнические работы по обслуживанию прибора должны выполняться квалифицированным электриком или компетентным специалистом. Этот продукт должен обслуживаться только в авторизованном сервисном центре.

Устранение неполадок

Осторожно! Перед устранением неполадок отключите прибор от электросети. Только квалифицированный электрик или специалист должен устранять неисправности, не указанные в этом руководстве.

Важно! При работе некоторые части прибора (конденсатор, система циркуляции хладагента) издадут звуки.

Проблема	Возможная причина	Решение
Прибор не работает	Штепсель не вставлен в розетку или плохо в ней держится	Вставьте штепсельную вилку в розетку
	Предохранитель сгорел или нерабочий	Проверьте предохранитель, замените при необходимости
	Розетка повреждена	Неполадки электросети должны исправляться электриком
Прибор слишком сильно морозит	Температурный режим установлен на сильный мороз или на «Супер»	Временно установите температурный режим на «Охлаждение»
Продукты недостаточно заморожены	Выбран неподходящий температурный режим	Смотрите раздел «Температурные режимы»
	Крышка ларя была открыта долгое время	Держите крышку открытой как можно меньше
	Большое количество теплых продуктов было положено в ларь в течение последних 24 часов	Временно установите температурный режим на «Охлаждение» или «Супер»
	Ларь стоит близко к источнику тепла	Смотрите раздел «Размещение»
Слой льда на замке крышки ларя	Крышка закрыта не герметично	Осторожно нагрейте замок крышки феном для сушки волос. Поправьте замок рукой, чтобы он плотно закрылся
Необычные звуки	Прибор касается стены или других предметов	Немного подвиньте прибор
	Какая-то деталь, например, трубка на задней стороне прибора, касается другой детали или стены	При необходимости поправьте детали прибора, чтобы они не соприкасались

Если неисправность появляется снова, обратитесь в сервисный центр.

УСЛОВИЯ ХРАНЕНИЯ

Изделие рекомендуется хранить в складских или домашних условиях и при необходимости транспортировать любым видом общественного крытого транспорта в имеющейся индивидуальной потребительской таре. Место хранения (транспортировки) должно быть недоступным для попадания влаги, прямого солнечного света и должно исключать возможность механических повреждений. Если прибор не используется в течение длительного времени, он должен быть защищен от пыли и храниться в чистом, сухом месте.

ТЕХНИЧЕСКИЕ ХАРАКТЕРИСТИКИ

Объем морозильной камеры: 220 л
Полная входная мощность: 105 Вт
Потребление энергии: 0,60 кВт/24 ч
Номинальное напряжение: 220-240 В
Номинальная частота: 50 Гц
Номинальная сила тока: 0,9 А
Вес нетто: 36,60 кг

КОМПЛЕКТАЦИЯ

МОРОЗИЛЬНЫЙ ЛАРЬ 1
ИНСТРУКЦИЯ ПО ЭКСПЛУАТАЦИИ 1
ГАРАНТИЙНЫЙ ТАЛОН 1
УПАКОВКА 1

БЕЗОПАСНОСТЬ ОКРУЖАЮЩЕЙ СРЕДЫ. УТИЛИЗАЦИЯ



Вы можете помочь в охране окружающей среды! Пожалуйста, соблюдайте местные правила: передавайте неработающее электрическое

оборудование в соответствующий центр утилизации отходов.

Производитель оставляет за собой право вносить изменения в технические характеристики и дизайн изделий.



МОРОЗИЛЬНА СКРИНЯ

Шановний покупцю!
Вітаємо Вас із придбанням виробу торгівельної марки "Arctic". Ми впевнені, що наші вироби будуть вірними й надійними помічниками у Вашому домашньому господарстві.

Не піддавайте пристрій різким перепадам температур. Різка зміна температури (наприклад, внесення пристрою за морозу в тепле приміщення) може викликати конденсацію вологи всередині пристрою та порушити його працездатність при вмиканні. Пристрій повинен відстоятися в теплому приміщенні не менше ніж 1,5 години. Введення пристрою в

експлуатацію після транспортування проводити не раніше, ніж через 1,5 години після внесення його в приміщення.

ПРАВИЛА БЕЗПЕКИ

В інтересах вашої безпеки та для забезпечення правильної роботи, перед установкою і першим використанням приладу уважно прочитайте цю інструкцію, в тому числі рекомендації та попередження. Щоб уникнути небажаних помилок і нещасних випадків необхідно, щоб усі користувачі були ознайомлені з правилами експлуатації приладу і правилами техніки безпеки. Зберігайте цю інструкцію разом із приладом, якщо він перевозиться, щоб кожен користувач був ознайомлений з правилами експлуатації і безпеки.

Для забезпечення безпеки життя і майна дотримуйтеся заходів безпеки, наведених у цій інструкції з експлуатації, оскільки виробник не несе відповідальності за шкоду, заподіяну в результаті недотримання вказівок.

Безпека дітей та інвалідів:

- Цей прилад може використовуватися дітьми у віці від 8 років і старше і особами з обмеженими фізичними, сенсорними або розумовими здібностями або відсутністю досвіду і знань, якщо їм було надано нагляд або інструкція щодо безпечного використання приладу і розуміння пов'язаної з цим небезпеки.
- Діти не повинні грати з приладом.
- Діти у віці від 3 років і менше 8 років не повинні підключати, регулювати і чистити прилад або виконувати обслуговування.
- Щоб уникнути ризику удуснення, зберігайте пакувальні матеріали в недоступному для дітей місці.
- Якщо ви забажете викинути морозильну скриню, одріжте від неї шнур живлення якомога коротше і зніміть кришку, для того, щоб діти граючи з ним на вулиці не замкнули себе випадково у скрині або не отримали удар струмом.

Загальні правила безпеки:

УВАГА! Ніколи не перекривайте вентиляційні отвори приладу.

УВАГА! Не використовуйте механічні пристрої чи інші засоби для прискорення процесу розморожування, крім рекомендованих виробником.

УВАГА! Не пошкодьте систему циркуляції холодоагенту.

УВАГА! Не використовуйте інші електроприлади (наприклад, морозениці) всередині морозильної скрині, якщо вони не схвалені для цієї мети виробником.

Не зберігайте в морозильній скрині вибухонебезпечні речовини, такі як аерозольні балончики з легкозаймистим паливом.

Холодоагент ізобутан (R600a), що міститься в системі циркуляції, - це газоподібна речовина з високим рівнем екологічної сумісності. Тим не менше, він легко запалюється.

Під час транспортування і встановлення приладу стежте, щоб не пошкодилися деталі системи циркуляції холодоагенту.

- тримайте прилад подалі від відкритого вогню та джерел займання.

- добре провітрюйте приміщення, де знаходиться морозильна скриня.

Заборонено змінювати технічні характеристики приладу. Будь-яке пошкодження шнура живлення може призвести до короткого замикання, пожежі та/або ураження електричним струмом.

Прилад призначений для використання в домашньому господарстві, а також:

- в кухнях закладів громадського харчування, офісів і організацій;

- в котеджах, готелях, мотелях та інших подібних закладах;

- у закладах типу «нічліг і сніданок»;

- для кейтерингових організацій.

УВАГА! Будь-які електричні деталі (шнур, штепсель, компресор і т.д.) в разі необхідності повинні бути замінені агентом авторизованого сервісного центру або кваліфікованим фахівцем.

Заборонено подовжувати шнур живлення.

Слідкуйте, щоб не притиснути шнур живлення скринєю. Притиснутий шнур може перегрітися і спричинити займання.

Забезпечте вільний доступ до розетки.

Не тягніть за шнур, виймаючи штепсель з розетки.

Якщо штепсель нещільно тримається в розетці, не вставляйте його в таку розетку щоб уникнути ризику електрошоку чи загоряння.

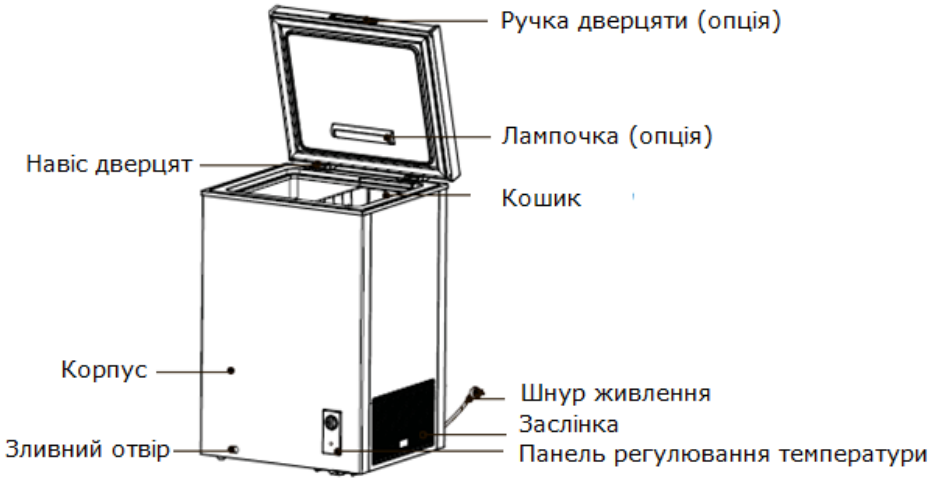
Будьте обережні при переміщенні приладу, оскільки він дуже важкий. Не витягуйте і не беріть предмети з морозильної скрині, якщо ваші руки вологі/мокрі, оскільки це може призвести до пошкодження або обмороження шкіри рук.

Уникайте тривалого впливу на прилад прямих сонячних променів.

Термін служби – 2 роки.

До введення в експлуатацію термін зберігання необмежений.

ЧАСТИНИ ПРИЛАДУ



ВСТАНОВЛЕННЯ

Важливо! При підключенні до електромережі уважно дотримуйтесь інструкцій.

Розпакуйте прилад і перевірте на наявність пошкоджень. Не приєднуйте прилад, якщо він пошкоджений. негайно повідомте про проблему продавцю. У цьому випадку не викидайте упаковку. Рекомендується почекати не менше чотирьох годин, перш ніж підключати прилад, щоб мастило затекло назад у компресор. Достатня циркуляція повітря повинна бути забезпечена в місці знаходження приладу, інакше прилад може перегрітися. Для забезпечення достатньої вентиляції дотримуйтесь інструкцій в розділі «Розміщення».

Не можна розмішувати морозильну скриню поблизу батареї опалення та кухонних плит. При розміщенні приладу забезпечте легкий доступ до розетки.

Економія електроенергії

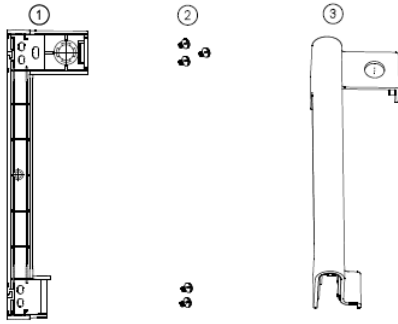
Не кладіть гарячу їжу в морозильник;
Не кладіть продукти впритул один до одного, бо це перешкоджає циркуляції повітря;
Слідкуйте, щоби продукти не торкалися задньої стінки морозильника;

Якщо пропадає струм, не відкривайте кришку морозильної скрині;
Не відкривайте кришку занадто часто;
Не тримайте кришку відкритою занадто довго;
Не встановлюйте термостат на надмірно низьку температуру;
Деякі аксесуари (наприклад, корзину) можна вийняти для збільшення місця та зменшення споживання електроенергії.

Встановлення зовнішньої ручки кришки

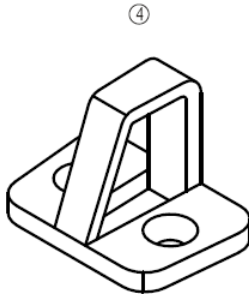
Встановлення ручки

1. Візьміть зовнішню ручку з замком (1) і гвинти (2).
2. Прикладіть зовнішню ручку до кришки і закріпіть її гвинтами (2).
3. Надіньте чохол (3) на ручку і зафіксуйте його.



Встановлення підвісної петлі

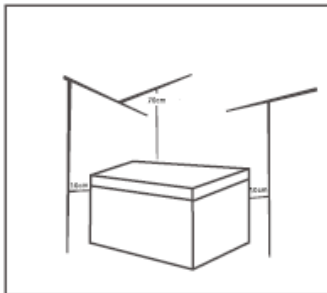
1. Візьміть гвинти (2) і підвісну петлю (4).
2. Закріпіть підвісну петлю (4) на корпусі за допомогою гвинтів (2).



Розміщення

Рекомендуються такі відстані від скрині

Від бічних сторін	10 см
Від задньої стінки	10 см
От кришки	70 см



Температурні умови

Встановіть прилад у місці, де температура навколишнього середовища відповідає клімат-класу, зазначеному на таблиці приладу:

Клімат-клас	Зовнішня t°
SN	+10°C +32°C
N	+16°C +32°C
ST	+16°C +38°C
T	+16°C +43°C

Підключення до електромережі

Перед підключенням переконайтеся, що напруга і частота, зазначені на таблиці, відповідають параметрам вашої електромережі. Прилад необхідно заземлити. У штепселі є контакт для заземлення. Якщо в розетці немає контакту для заземлення, підключіть прилад до окремого заземлення (зверніться до кваліфікованого електрика). Виробник не несе відповідальності, якщо користувач не дотримується техніки безпеки. Цей прилад відповідає директивам Е.Е.С.

ЕКСПЛУАТАЦІЯ

Не ставте гарячі предмети на пластикові частини приладу. Забороняється заморозувати раніше розморожені продукти повторно. Зберігайте упаковані заморожені продукти відповідно до інструкцій виробника продуктів. Суворо дотримуйтеся правил зберігання продуктів, як описано раніше в цій інструкції. Не кладіть у морозильник газовані напої, бо тара може лопнути і пошкодити внутрішню камеру. Не вживайте морозиво, щойно з морозильника, бо воно може спричинити обмороження.

Перед першим використанням Очищення внутрішньої камери

Перед першим використанням приладу помийте внутрішню камеру та аксесуари теплою мильною водою, щоб усунути типовий заводський запах, потім акуратно протріть насухо.

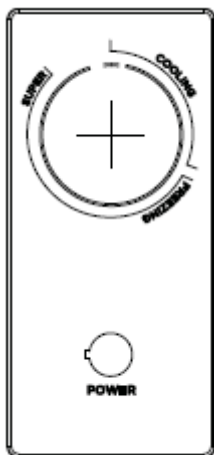
Важливо! Не використовуйте миючі засоби або абразивні порошки, бо вони можуть пошкодити поверхню.

Температурні режими

Увімкніть морозильну скриню в розетку - загориться лампочка «POWER» (живлення) (зелене світло).

Повертайте ручку термостата за годинниковою стрілкою, температура всередині морозильної скрині буде опускатися все нижче і нижче.

"COOLING" («ОХОЛОДЖЕННЯ») означає область охолодження, «FREEZING-SUPER» («СУПЕР ЗАМОРОЖУВАННЯ») - означає область заморозування. Якщо ручка термостата встановлена в положення «СУПЕР», морозильна скриня переходить в режим суперзаморозування, в цьому режимі компресор продовжує працювати без перерви.



• Прилад може не досягти потрібної температури, якщо навколишня температура занадто висока або якщо часто відкривати кришку приладу.

Щоденне використання Заморожування свіжих продуктів

- Морозильна скриня призначена для заморожування свіжих продуктів і зберігання заморожених продуктів протягом тривалого часу.
- Кладіть свіжі продукти в нижню відділену камеру.
- Максимальна кількість продуктів для заморожування за 24 години вказана на таблиці.
- Процес заморозки триває 24 години: у цей період не додавайте інші продукти для заморожування.

Зберігання заморожених продуктів

При першому використанні або після довгої перерви в роботі, перш ніж покласти продукти, дайте морозильній скрині попрацювати порожньою протягом 2 годин у режимі морозу.

Важливо! У разі непередбаченого розморожування, наприклад, при довготривалому відключенні електроенергії, необхідно швидко вжити/приготувати розморожені продукти.

Розморожування продуктів

Заморожені продукти перед вживанням можна розморозити в холодильнику або при кімнатній температурі, в залежності від часу у вашому розпорядженні. Невеликі шматочки можна починати готувати ще замороженими, але приготування займе більше часу.

Корисні поради Заморожування:

Для більш ефективного заморожування дотримуйтеся таких рекомендацій:

- Максимальна кількість продуктів для заморожування за 24 години вказана на таблиці;
- Процес заморожування займає 24 години. У цей період не додавайте інші продукти для заморожування;
- Заморожуйте тільки високоякісні, свіжі і добре вимиті продукти;
- Діліть продукти для заморожування на невеликі порції для більш швидкого заморожування і для зручності їх подальшого розморожування;
- Ретельно загортайте продукти в алюмінієву фольгу або харчову плівку;
- Слідкуйте, щоб незаморожені продукти не торкалися заморожених;
- Пісні продукти зберігаються краще і довше, ніж жирні. Сіль скорочує термін зберігання продуктів;
- Заморожені напої, уживані відразу з морозильника, можуть викликати обмороження шкіри;
- Для зручності рекомендується представляти дати заморожування на упаковках продуктів.

Поради зі зберігання заморожених продуктів

Для найбільш ефективного використання морозильної скрині:
- перевірте, що куплені заморожені продукти правильно зберігалися в магазині;
- доставляйте куплені заморожені продукти в морозильну скриню якнайшвидше;
- не відкривайте кришку морозильної скрині занадто часто або довше, ніж це необхідно.
• Після розморожування продукту не заморозуйте його повторно.

- Не перевищуйте терміни зберігання, зазначені виробником продукту.

ЧИЩЕННЯ І ДОГЛЯД

З метою гігієни слід регулярно чистити внутрішню камеру приладу та аксесуари.

Регулярно перевіряйте зливний отвір і видаляйте воду у разі її наявності.

Обережно! Прилад слід вимкнути і відключити від електромережі перед чищенням, щоб уникнути удару струмом.

Не очищайте морозильну скриню за допомогою металевих предметів.

Не користуйтеся гострими предметами, щоби видалити лід. Користуйтеся пластиковим скребком. Забороняється чистити морозильну скриню паровим очищувачем, оскільки волога може потрапити в електричні частини і викликати замикання. Гарячий пар може пошкодити пластикові деталі. Прилад необхідно повністю просушити перед подальшим використанням.

Важливо! Ефірні олії та органічні розчинники (наприклад, лимонний сік, сік зі шкури апельсина, масляна кислота, оцет) можуть пошкодити пластикові деталі. Слідкуйте, щоб такі речовини не контактували з частинами приладу. Не використовуйте абразивні чистячі засоби.

Процедура чищення

- Вийміть продукти з морозильної скрині. Покладіть їх у прохолодне місце, добре укрийте.
- Вимкніть пристрій і від'єднайте його від електромережі.
- Очистіть внутрішню камеру та аксесуари тканиною, змоченою в теплій, злегка мильній воді. Потім очистіть тканиною, змоченою чистою водою. Потім протріть насухо.
- Накопичення пилу на конденсаторі збільшує споживання енергії. З цієї причини ретельно очищайте конденсатор один раз на рік м'якою щіткою або пилососом.
- Після повного просихання морозильна скриня готова до роботи.

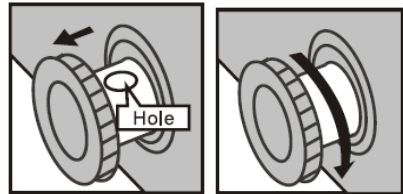
Розморозжування скрині

З часом шар льоду в морозильній скрині потовщується. Його необхідно видаляти.

Забороняється використовувати гострі металеві предмети для видалення льоду, бо вони можуть пошкодити прилад.

Коли лід всередині стає дуже товстий, слід проводити повне розморозжування наступним чином:

- Відключіть прилад від електромережі. Вийміть пробку зі зливного отвору усередині морозильної скрині. Розморозжування зазвичай займає кілька годин. Для прискорення процесу відкрийте кришку морозильної скрині.
- Для зливу води поставте піддон під зовнішній зливний отвір. Висуньте диск зливного отвору.



- Поверніть диск на 180 градусів, щоби вода стекла в піддон. Коли вся вода виллється, засуньте назад диск зливного отвору. Закрийте пробкою зливний отвір всередині морозильної скрині. **Примітка:** стежте, щоби піддон не переповнився.
- Витріть насухо внутрішню камеру і вставте штепсель у розетку.
- Поверніть ручку термостата в бажане положення.

Обслуговування

Всі електротехнічні роботи з обслуговування приладу повинні виконуватися кваліфікованим електриком або компетентним фахівцем. Цей продукт має обслуговуватися тільки в авторизованому сервісному центрі.

Усування несправностей

Обережно! Перед усуненням несправностей відключіть прилад від електромережі. Тільки кваліфікований електрик або фахівець має усувати несправності, не зазначені в цій інструкції.

Важливо! При роботі деякі частини приладу (конденсатор, система циркуляції холодоагенту) видають звуки.

Проблема	Можлива причина	Рішення
Прилад не працює	Штепсель не вставлений у розетку чи погано в ній тримається	Вставте штепсель у розетку
	Запобіжник згорів або неробочий	Перевірте запобіжник, замініть, якщо потрібно
	Розетка пошкоджена	Несправності електромережі повинні виправлятися електриком
Прилад занадто сильно морозить	Температурний режим встановлений на сильний мороз або на «Супер»	Тимчасово встановіть температурний режим на «Охолодження»
Продукти недостатньо заморожені	Вибраний невідповідний температурний режим	Дивіться розділ «Температурні режими»
	Кришка скрині була відкрита довгий час	Тримайте кришку відкритою якомога менше
	Велику кількість теплих продуктів було покладено в скриню протягом останніх 24 годин	Тимчасово встановіть температурний режим на «Охолодження» або «Супер»
	Скриня стоїть близько до джерела тепла	Дивіться розділ «Розташування»
Шар льоду на замку кришки скрині	Кришка закрита не герметично	Обережно нагрійте замок кришки феном для сушіння волосся. Поправте замок рукою, щоб він щільно закритися
Незвичайні звуки	Прилад торкається стіни або інших предметів	Трохи посуňte прилад
	Якась деталь, наприклад, трубка на задній стороні приладу, торкається іншої деталі або стіни	При необхідності поправте деталі приладу, щоб вони не стикалися

Якщо несправність виникає знову, зверніться у сервісний центр.

ТЕХНІЧНІ ХАРАКТЕРИСТИКИ

Об'єм морозильної камери: 220 л
Повна вхідна потужність: 105 Вт
Споживання енергії: 0,60 кВт/24 год
Номинальна напруга: 220-240 В
Номинальна частота: 50 Гц
Номинальна сила струму: 0,9 А
Вага нетто: 36,60 кг



КОМПЛЕКТАЦІЯ

МОРОЗИЛЬНА СКРИНЯ 1
ІНСТРУКЦІЯ З ЕКСПЛУАТАЦІЇ 1
ГАРАНТІЙНИЙ ТАЛОН 1
УПАКОВКА 1

БЕЗПЕКА НАВКОЛИШНЬОГО СЕРЕДОВИЩА. УТИЛІЗАЦІЯ



Ви можете допомогти в охороні навколишнього середовища! Будь ласка, дотримуйтесь місцевих правил: передавайте непрацююче електричне обладнання у відповідний центр утилізації відходів.

Виробник залишає за собою право вносити зміни в технічні характеристики й дизайн виробів.

