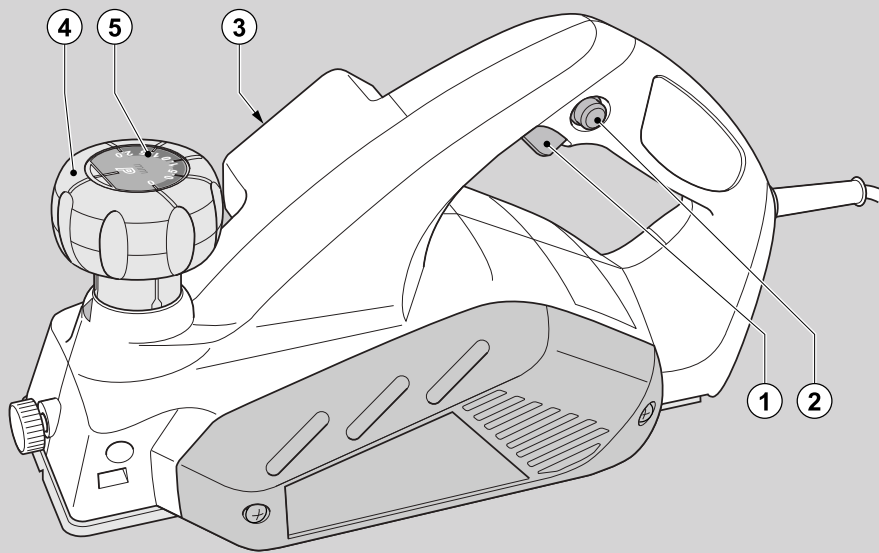


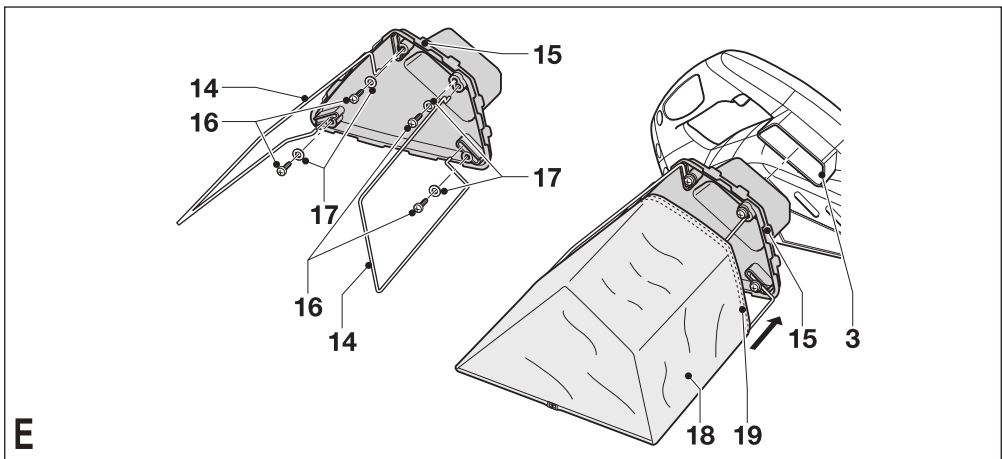
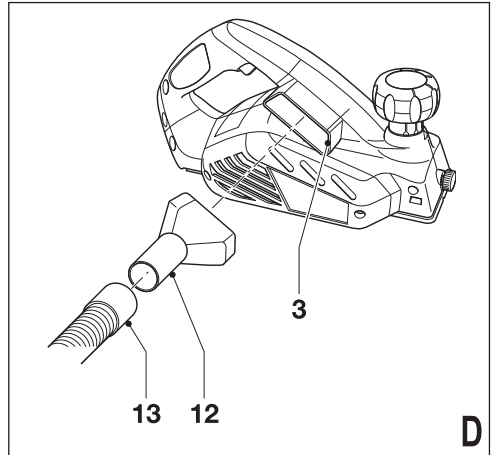
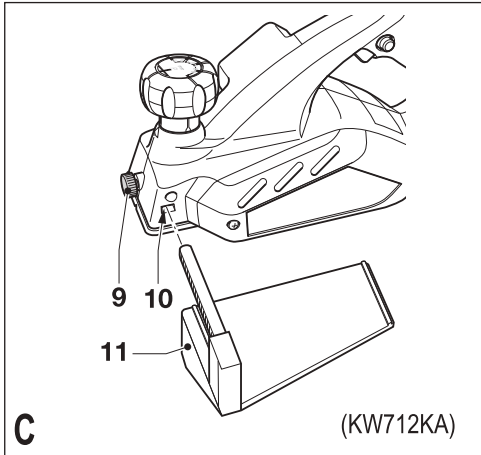
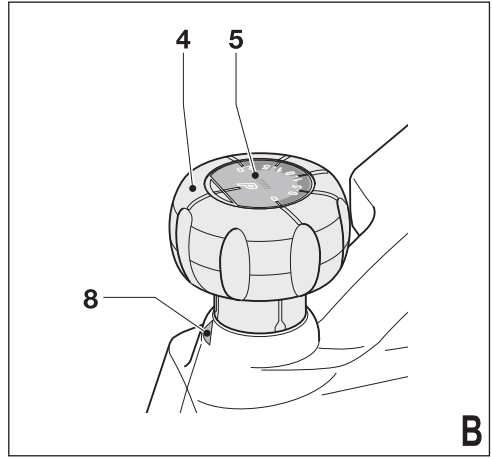
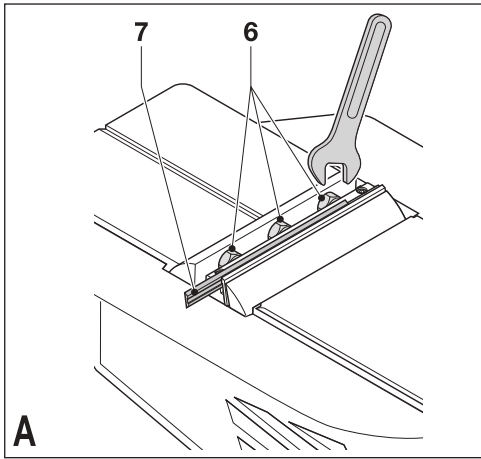
**BLACK&DECKER®**

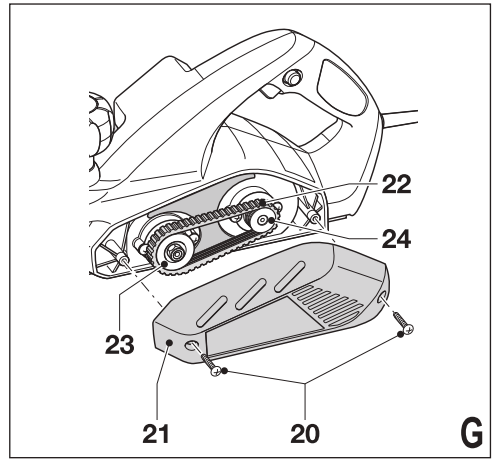
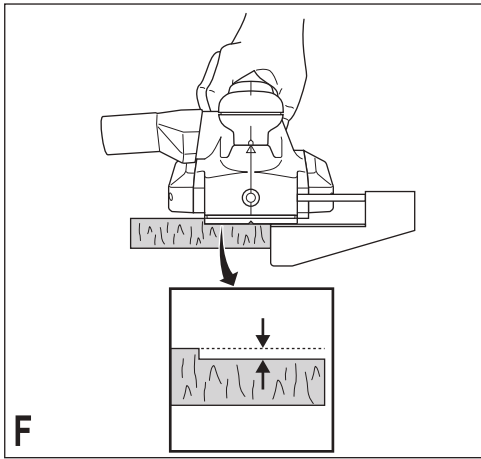


[www.blackanddecker.eu](http://www.blackanddecker.eu)

**KW712**  
**KW712KA**

<b>English</b>	<b>(Original instructions)</b>	<b>5</b>
<b>Deutsch</b>	<b>(Übersetzung der Originalanleitung)</b>	<b>11</b>
<b>Français</b>	<b>(Traduction des instructions d'origine)</b>	<b>18</b>
<b>Česky</b>	<b>(Přeloženo z původního návodu)</b>	<b>24</b>
<b>Magyar</b>	<b>(Fordítás az eredeti kezelési utasítás alapján készült)</b>	<b>30</b>
<b>Polski</b>	<b>(Tłumaczenie oryginalnej instrukcji)</b>	<b>38</b>
<b>Slovenčina</b>	<b>(Preložené z pôvodného návodu)</b>	<b>45</b>
<b>Русский язык</b>	<b>(Перевод с оригинала инструкции)</b>	<b>51</b>
<b>Українська</b>	<b>(Переклад оригінальних інструкцій)</b>	<b>59</b>
<b>Türkçe</b>	<b>(Çevirisi orijinal talimatlardan yapılmıştır)</b>	<b>68</b>





## Intended use

Your Black & Decker planer has been designed for planing wood, wood products and plastics. The tool is intended for hand-held use. This tool is intended for consumer use only.

## Safety instructions



**Warning! Read all safety warnings and all instructions.** Failure to follow the warnings and instructions listed below may result in electric shock, fire and/or serious injury.

**Save all warnings and instructions for future reference.** The term “power tool” in all of the warnings listed below refers to your mains operated (corded) power tool or battery operated (cordless) power tool.

### 1. Work area safety

- a. **Keep work area clean and well lit.** Cluttered or dark areas invite accidents.
- b. **Do not operate power tools in explosive atmospheres, such as in the presence of flammable liquids, gases or dust.** Power tools create sparks which may ignite the dust or fumes.
- c. **Keep children and bystanders away while operating a power tool.** Distractions can cause you to lose control.

### 2. Electrical safety

- a. **Power tool plugs must match the outlet. Never modify the plug in any way. Do not use any adapter plugs with earthed (grounded) power tools.** Unmodified plugs and matching outlets will reduce risk of electric shock.
- b. **Avoid body contact with earthed or grounded surfaces such as pipes, radiators, ranges and refrigerators.** There is an increased risk of electric shock if your body is earthed or grounded.
- c. **Do not expose power tools to rain or wet conditions.** Water entering a power tool will increase the risk of electric shock.
- d. **Do not abuse the cord. Never use the cord for carrying, pulling or unplugging the power tool. Keep cord away from heat, oil, sharp edges or moving parts.** Damaged or entangled cords increase the risk of electric shock.

- e. **When operating a power tool outdoors, use an extension cord suitable for outdoor use.** Use of a cord suitable for outdoor use reduces the risk of electric shock.
- f. **If operating a power tool in a damp location is unavoidable, use a residual current device (RCD) protected supply.** Use of an RCD reduces the risk of electric shock.

### 3. Personal safety

- a. **Stay alert, watch what you are doing and use common sense when operating a power tool. Do not use a power tool while you are tired or under the influence of drugs, alcohol or medication.** A moment of inattention while operating power tools may result in serious personal injury.
  - b. **Use personal protective equipment. Always wear eye protection.** Protective equipment such as dust mask, non-skid safety shoes, hard hat, or hearing protection used for appropriate conditions will reduce personal injuries.
  - c. **Prevent unintentional starting. Ensure the switch is in the off-position before connecting to power source and/or battery pack, picking up or carrying the tool.** Carrying power tools with your finger on the switch or energising power tools that have the switch on invites accidents.
  - d. **Remove any adjusting key or wrench before turning the power tool on.** A wrench or a key left attached to a rotating part of the power tool may result in personal injury.
  - e. **Do not overreach. Keep proper footing and balance at all times.** This enables better control of the power tool in unexpected situations.
  - f. **Dress properly. Do not wear loose clothing or jewellery. Keep your hair, clothing and gloves away from moving parts.** Loose clothes, jewellery or long hair can be caught in moving parts.
  - g. **If devices are provided for the connection of dust extraction and collection facilities, ensure these are connected and properly used.** Use of dust collection can reduce dust-related hazards.
- ### 4. Power tool use and care
- a. **Do not force the power tool. Use the correct power tool for your application.** The correct power tool will do the job better and safer at the rate for which it was designed.

- b. **Do not use the power tool if the switch does not turn it on and off.** Any power tool that cannot be controlled with the switch is dangerous and must be repaired.
  - c. **Disconnect the plug from the power source and/or the battery pack from the power tool before making any adjustments, changing accessories, or storing power tools.** Such preventive safety measures reduce the risk of starting the power tool accidentally.
  - d. **Store idle power tools out of the reach of children and do not allow persons unfamiliar with the power tool or these instructions to operate the power tool.** Power tools are dangerous in the hands of untrained users.
  - e. **Maintain power tools. Check for misalignment or binding of moving parts, breakage of parts and any other condition that may affect the power tools operation. If damaged, have the power tool repaired before use.** Many accidents are caused by poorly maintained power tools.
  - f. **Keep cutting tools sharp and clean.** Properly maintained cutting tools with sharp cutting edges are less likely to bind and are easier to control.
  - g. **Use the power tool, accessories and tool bits etc., in accordance with these instructions, taking into account the working conditions and the work to be performed.** Use of the power tool for operations different from those intended could result in a hazardous situation.
5. **Service**
- a. **Have your power tool serviced by a qualified repair person using only identical replacement parts.** This will ensure that the safety of the power tool is maintained.

**Additional power tool safety warnings**



**Warning!** Additional safety warnings for planers

- ◆ **Hold the tool by the insulated gripping surfaces when performing an operation where the cutting tool may contact hidden wiring or its own cord.** Cutting accessory contacting a “live” wire may make exposed metal parts of the power tool “live” and shock the operator.

- ◆ **Use clamps or another practical way to secure and support the workpiece to a stable platform.** Holding the work by hand or against your body leaves it unstable and may lead to loss of control.
- ◆ **Wait for the cutter to stop before setting the tool down.** An exposed cutter may engage the surface leading to possible loss of control and serious injury.
- ◆ **Keep the cutter sharp.** Dull or damaged cutters may cause the planer to swerve or stall under pressure. Always use the appropriate type of cutter for the power tool.
- ◆ Do not touch the workpiece or the cutter immediately after operating the tool. They can become very hot.
- ◆ Remove all nails and metal objects from the workpiece before planing.
- ◆ Always hold the tool with both hands and by the handles provided.
- ◆ Immediately disconnect the cable from the mains if it is damaged or cut.

**Warning!** Contact with, or inhalation of dusts arising from planing applications may endanger the health of the operator and possible bystanders. Wear a dust mask specifically designed for protection against dust and fumes and ensure that persons within or entering the work area are also protected.

- ◆ This tool is not intended for use by persons (including children) with reduced physical, sensory or mental capabilities, or lack of experience and knowledge, unless they have been given supervision or instruction concerning use of the appliance by a person responsible for their safety. Children should be supervised to ensure that they do not play with the appliance.
- ◆ The intended use is described in this instruction manual. The use of any accessory or attachment or performance of any operation with this tool other than those recommended in this instruction manual may present a risk of personal injury and/or damage to property.

**Safety of others**

- ◆ This appliance is not intended for use by persons (including children) with reduced physical, sensory or mental capabilities, or lack of experience and knowledge, unless they have been given supervision or instruction concerning use of the appliance by a person responsible for their safety.

- ◆ Children should be supervised to ensure that they do not play with the appliance.

### Vibration

The declared vibration emission values stated in the technical data and the declaration of conformity have been measured in accordance with a standard test method provided by EN 60745 and may be used for comparing one tool with another. The declared vibration emission value may also be used in a preliminary assessment of exposure.

**Warning!** The vibration emission value during actual use of the power tool can differ from the declared value depending on the ways in which the tool is used. The vibration level may increase above the level stated.

When assessing vibration exposure to determine safety measures required by 2002/44/EC to protect persons regularly using power tools in employment, an estimation of vibration exposure should consider, the actual conditions of use and the way the tool is used, including taking account of all parts of the operating cycle such as the times when the tool is switched off and when it is running idle in addition to the trigger time.

### Labels on tool

The following pictograms are shown on the tool:



**Warning!** To reduce the risk of injury, the user must read the instruction manual.

### Electrical safety



This tool is double insulated; therefore no earth wire is required. Always check that the power supply corresponds to the voltage on the rating plate.

- ◆ If the supply cord is damaged, it must be replaced by the manufacturer or an authorised Black & Decker Service Centre in order to avoid a hazard.

### Features

This tool includes some or all of the following features.

1. On/off switch
2. Lock-off button
3. Shavings discharge outlet
4. Planing depth adjustment knob
5. Planing depth graduation

### Assembly

**Warning!** Before assembly, make sure that the tool is switched off and unplugged.

### Replacing the cutting blades (fig. A)

The cutting blades provided with this tool are reversible. Replacement cutting blades can be obtained from your local retailer.

### Removing

- ◆ Loosen the bolts (6) using the spanner supplied.
- ◆ Slide the blade (7) out of the holder.
- ◆ Reverse the blade so that the unused side comes in position. If both sides are worn, the blade must be replaced.

### Fitting

- ◆ Slide the blade into the holder until it is against the end stop.
- ◆ Tighten the bolts using the spanner supplied.

**Warning!** Always replace both cutters.

### Adjusting the depth of cut (fig. B)

The depth of cut is indicated by the marking (8). The setting range can be read from the graduation (5).

- ◆ Turn the planing depth adjustment knob (4) to the required depth of cut.
- ◆ Turn the knob to the 'P' position whenever the tool is not in use.

### KW712KA Fitting and removing the parallel fence (fig. C)

The parallel fence is used to for optimum control on narrow workpieces.

- ◆ Loosen the locking knob (9).
- ◆ Insert the parallel fence (11) through the opening (10).
- ◆ Slide the parallel fence into the desired position.
- ◆ Tighten the locking knob.
- ◆ To remove the parallel fence proceed in reverse order.

### Connecting a vacuum cleaner to the tool (fig. D)

An adaptor is required to connect a vacuum cleaner or dust extractor to the tool. The adaptor can be purchased from your local Black & Decker retailer.

- ◆ Slide the adaptor (12) over the shavings discharge outlet (3).
- ◆ Connect the vacuum cleaner hose (13) to the adaptor.

### Assembling and fitting the shavings collection bag (fig. E)

The shavings collection bag is particularly useful when working in confined spaces.

Before first use, you will have to assemble the shavings collection bag.

- ◆ Fit the wire frames (14) to the connecting plate (15) using the screws (16) and washers (17).
- ◆ Pull the cloth bag (18) over the frame structure as shown. Take care that the elasticated mouth (19) is well fitted around the edge of the connecting plate (15).
- ◆ Slide the connecting plate over the shavings discharge outlet (3).

### Residual risks.

Additional residual risks may arise when using the tool which may not be included in the enclosed safety warnings. These risks can arise from misuse, prolonged use etc.

Even with the application of the relevant safety regulations and the implementation of safety devices, certain residual risks can not be avoided. These include:

- ◆ **Injuries caused by touching any rotating/moving parts.**
- ◆ **Injuries caused when changing any parts, blades or accessories.**
- ◆ **Injuries caused by prolonged use of a tool. When using any tool for prolonged periods ensure you take regular breaks.**
- ◆ **Impairment of hearing.**
- ◆ **Health hazards caused by breathing dust developed when using your tool (example:- working with wood, especially oak, beech and MDF.)**

### Use

**Warning!** Let the tool work at its own pace. Do not overload.

- ◆ Adjust the depth of cut.
- ◆ If necessary, fit and adjust the parallel fence.

### Switching on and off

#### Switching on

- ◆ Keep the lock-off button (2) depressed and press the on/off switch (1).
- ◆ Release the lock-off button.

#### Switching off

- ◆ Release the on/off switch.

### Planing

- ◆ Hold the tool with the nose piece of the shoe resting on top of the workpiece surface.
- ◆ Switch the tool on.
- ◆ Move the tool steadily forward to perform the cutting stroke.
- ◆ Switch the tool off after the stroke has been completed.

### Rebating (fig. F)

- ◆ Fit and adjust the parallel fence. (KW712KA ONLY)
- ◆ Proceed as for planing.

### Chamfering edges

The V-groove in the nose piece of the shoe enables you to chamfer edges at 45° angles.

- ◆ Hold the tool at an angle with the groove around the edge of the workpiece and perform the cutting stroke.

### Emptying the shavings collection bag

The shavings collection bag should be emptied regularly while using it.

- ◆ Unzip the bag and empty it before continuing.

### Hints for optimum use

- ◆ Move the tool along the grain of the wood.
- ◆ If the grain is cross or curly, or if the workpiece material is a hard type of wood, adjust the depth of cut to take only a very thin shaving at each pass and take several passes to achieve the desired result.
- ◆ To keep the tool in a straight line, press down the front of the tool at the start, and press down the back of the tool at the end of the cutting stroke.

### Accessories

The performance of your tool depends on the accessory used. Black & Decker and Piranha accessories are engineered to high quality standards and designed to enhance the performance of your tool. By using these accessories you will get the very best from your tool.

The following types of cutting blades can be obtained from your local retailer:

- Tungsten carbide tipped reversible cutting blades (part no. X35007, supplied per pair)
- High-speed steel reversible cutting blades (part no. X24192-XJ11, supplied per pair)



## Maintenance

Your tool has been designed to operate over a long period of time with a minimum of maintenance. Continuous satisfactory operation depends upon proper tool care and regular cleaning.

**Warning!** Before performing any maintenance, switch off and unplug the tool.

- ◆ Regularly clean the ventilation slots in your tool using a soft brush or dry cloth.
- ◆ Regularly clean the motor housing using a damp cloth. Do not use any abrasive or solvent-based cleaner.

### Replacing the drive belt (fig. G)

- ◆ Loosen the screws (20) and remove the cover (21).
- ◆ Remove the old drive belt.
- ◆ Place the new belt (22) over the pulleys. Place the belt over the large pulley (23) first, then over the small pulley (24), whilst manually rotating the belt steadily.
- ◆ Put the cover back in place and tighten the screws.

### Mains plug replacement (U.K. & Ireland only)

If a new mains plug needs to be fitted:

- ◆ Safely dispose of the old plug.
- ◆ Connect the brown lead to the live terminal in the new plug.
- ◆ Connect the blue lead to the neutral terminal.

**Warning!** No connection is to be made to the earth terminal. Follow the fitting instructions supplied with good quality plugs. Recommended fuse: 5 A.

### Protecting the environment



Separate collection. This product must not be disposed of with normal household waste.

Should you find one day that your Black & Decker product needs replacement, or if it is of no further use to you, do not dispose of it with household waste. Make this product available for separate collection.



Separate collection of used products and packaging allows materials to be recycled and used again. Re-use of recycled materials helps prevent environmental pollution and reduces the demand for raw materials.

Local regulations may provide for separate collection of electrical products from the household, at municipal waste sites or by the retailer when you purchase a new product.

Black & Decker provides a facility for the collection and recycling of Black & Decker products once they have reached the end of their working life. To take advantage of this service please return your product to any authorised repair agent who will collect them on our behalf.

You can check the location of your nearest authorised repair agent by contacting your local Black & Decker office at the address indicated in this manual. Alternatively, a list of authorised Black & Decker repair agents and full details of our after-sales service and contacts are available on the Internet at: [www.2helpU.com](http://www.2helpU.com)

### Technical data

	KW712/KW712KA TYPE2	
Input voltage	V <sub>AC</sub>	230
Power input	W	650
No-load speed	min <sup>-1</sup>	17,000
Planing width	mm	82
Planing depth	mm	2
Rebating depth	mm	8
Weight	kg	3

### Vibration total values (triax vector sum) according to EN 60745:

Vibration emission value (a<sub>v</sub>) 2.6 m/s<sup>2</sup>,  
uncertainty (K) 1.5 m/s<sup>2</sup>

Level of sound pressure according to EN 60745:

Sound pressure (L<sub>pA</sub>) 90 dB(A), uncertainty (K)  
3 dB(A), Sound power (L<sub>WA</sub>) 105 dB(A),  
uncertainty (K) 3 dB(A)

**EC declaration of conformity**  
MACHINERY DIRECTIVE



KW712/KW712KA

Black & Decker declares that these products described under "technical data" are in compliance with: 2006/42/EC, EN 60745-1, EN 60745-2-14

For more information, please contact Black & Decker at the following address or refer to the back of the manual.

The undersigned is responsible for compilation of the technical file and makes this declaration on behalf of Black & Decker.

Kevin Hewitt  
Vice-President  
Global Engineering  
Black & Decker Europe,  
210 Bath Road, Slough,  
Berkshire, SL1 3YD  
United Kingdom  
17-02-2010

repair agent. You can check the location of your nearest authorised repair agent by contacting your local Black & Decker office at the address indicated in this manual. Alternatively, a list of authorised Black & Decker repair agents and full details of our after-sales service and contacts are available on the Internet at: [www.2helpU.com](http://www.2helpU.com)

Please visit our website [www.blackanddecker.co.uk](http://www.blackanddecker.co.uk) to register your new Black & Decker product and to be kept up to date on new products and special offers. Further information on the Black & Decker brand and our range of products is available at [www.blackanddecker.co.uk](http://www.blackanddecker.co.uk)

## Guarantee

Black & Decker is confident of the quality of its products and offers an outstanding guarantee. This guarantee statement is in addition to and in no way prejudices your statutory rights. The guarantee is valid within the territories of the Member States of the European Union and the European Free Trade Area.

If a Black & Decker product becomes defective due to faulty materials, workmanship or lack of conformity, within 24 months from the date of purchase, Black & Decker guarantees to replace defective parts, repair products subjected to fair wear and tear or replace such products to ensure minimum inconvenience to the customer unless:

- ◆ The product has been used for trade, professional or hire purposes;
- ◆ The product has been subjected to misuse or neglect;
- ◆ The product has sustained damage through foreign objects, substances or accidents;
- ◆ Repairs have been attempted by persons other than authorised repair agents or Black & Decker service staff.

To claim on the guarantee, you will need to submit proof of purchase to the seller or an authorised

## Bestimmungsgemäße Verwendung

Ihr Black & Decker Hobel wurde zum Hobeln von Holz, Holzprodukten und Kunststoffen entwickelt. Das Gerät ist für die Handbedienung ausgelegt. Dieses Gerät ist nicht für den gewerblichen Einsatz vorgesehen.

## Sicherheitshinweise

### Allgemeine Warnhinweise zur Sicherheit von Elektrowerkzeugen



**Achtung! Lesen Sie sämtliche Sicherheitswarnhinweise und sonstigen Anweisungen.** Die Nichteinhaltung der nachstehend aufgeführten Warnhinweise und sonstigen Anweisungen kann einen elektrischen Schlag, Brand und/oder schwere Verletzungen verursachen.

**Bewahren Sie alle Warnhinweise und sonstigen Anweisungen zur künftigen Bezugnahme auf.** Der nachfolgend verwendete Begriff „Gerät“ bezieht sich auf netzbetriebene Geräte (mit Netzkabel) und auf akkubetriebene Geräte (ohne Netzkabel).

#### 1. Sicherheit am Arbeitsplatz

- a. **Halten Sie Ihren Arbeitsbereich sauber und gut ausgeleuchtet.** Unordnung und dunkle Arbeitsbereiche fördern Unfälle geradezu heraus.
- b. **Arbeiten Sie mit Geräten nicht in explosionsgefährdeter Umgebung, in der sich brennbare Flüssigkeiten, Gase oder Stäube befinden.** Geräte erzeugen Funken, die den Staub oder die Dämpfe entzünden können.
- c. **Halten Sie Kinder und andere Personen während der Benutzung eines Geräts fern.** Bei Ablenkung können Sie die Kontrolle verlieren.

#### 2. Elektrische Sicherheit

- a. **Der Anschlussstecker des Geräts muß in die Steckdose passen. Der Stecker darf in keiner Weise verändert werden. Verwenden Sie keine Adapterstecker gemeinsam mit schutzgeerdeten Geräten.** Unveränderte Stecker und passende Steckdosen verringern das Risiko eines elektrischen Schlages.
- b. **Vermeiden Sie Körperkontakt mit geerdeten Oberflächen von Rohren, Heizungen, Herden und Kühlschränken.** Es besteht ein

erhöhtes Risiko eines elektrischen Schlages, wenn Ihr Körper geerdet ist.

- c. **Halten Sie Geräte von Regen und Nässe fern.** Das Eindringen von Wasser in ein Gerät erhöht das Risiko eines elektrischen Schlages.
  - d. **Mißbrauchen Sie nicht das Kabel. Verwenden Sie das Kabel niemals zum Tragen, Ziehen oder Trennen des Gerätes vom Netz. Halten Sie das Kabel fern von Hitze, Öl, scharfen Kanten oder sich bewegenden Teilen.** Beschädigte oder verwickelte Kabel erhöhen das Risiko eines elektrischen Schlages.
  - e. **Wenn Sie mit einem Gerät im Freien arbeiten, verwenden Sie nur Verlängerungskabel, die auch für den Außenbereich zugelassen sind.** Die Verwendung eines für den Außenbereich geeigneten Verlängerungskabels verringert das Risiko eines elektrischen Schlages.
  - f. **Falls der Betrieb des Elektrowerkzeugs in einer feuchten Umgebung unvermeidbar ist, verwenden Sie einen mit einem Fehlerstromschutzschalter (FI-Schutzschalter) abgesicherten Stromkreis.** Durch die Verwendung eines FI-Schutzschalters wird das Risiko eines Stromschlages verringert.
- #### 3. Sicherheit von Personen
- a. **Seien Sie aufmerksam, achten Sie darauf, was Sie tun, und gehen Sie vernünftig mit einem Gerät um. Benutzen Sie das Gerät nicht, wenn Sie müde sind oder unter dem Einfluß von Drogen, Alkohol oder Medikamenten stehen.** Ein Moment der Unachtsamkeit beim Gebrauch von Geräten kann zu ernsthaften Verletzungen führen.
  - b. **Tragen Sie persönliche Schutzausrüstung. Tragen Sie immer eine Schutzbrille.** Das Tragen persönlicher Schutzausrüstung, wie Staubmaske, rutschfeste Sicherheitsschuhe, Schutzhelm oder Gehörschutz, je nach Art und Einsatz des Elektrowerkzeuges, verringert das Risiko von Verletzungen.
  - c. **Vermeiden Sie eine unbeabsichtigte Inbetriebnahme. Vergewissern Sie sich, dass der Schalter auf der Aus-Stellung steht, bevor Sie den Stecker in die Steckdose stecken und/oder das Akkupaket im Werkzeug stecken, das Werkzeug aufnehmen oder tragen.** Wenn Sie beim Tragen des Elektrowerkzeugs den Finger

am Schalter haben oder das Werkzeug eingeschaltet an die Stromversorgung anschließen, kann dies zu Unfällen führen.

- d. **Entfernen Sie Einstell- oder Schraubenschlüssel, bevor Sie das Gerät einschalten.** Ein Schlüssel, der sich in einem sich drehenden Teil befindet, kann zu Verletzungen führen.
  - e. **Nicht zu weit nach vorne strecken! Achten Sie auf einen sicheren Stand, um in jeder Arbeitsposition das Gleichgewicht zu halten.** Dadurch können Sie das Gerät in unerwarteten Situationen besser unter Kontrolle halten.
  - f. **Tragen Sie geeignete Kleidung. Tragen Sie keine weite Kleidung oder Schmuck. Halten Sie Haare, Kleidung und Handschuhe fern von sich bewegenden Teilen.** Lockere Kleidung, Schmuck oder lange Haare können von sich bewegenden Teilen erfaßt werden.
  - g. **Falls Staubabsaug- und -auffangvorrichtungen vorhanden sind, vergewissern Sie sich, daß diese angeschlossen sind und richtig verwendet werden.** Das Verwenden dieser Einrichtungen verringert Gefährdungen durch Staub.
4. **Gebrauch und Pflege von Geräten**
- a. **Überlasten Sie das Gerät nicht. Verwenden Sie für Ihre Arbeit das dafür bestimmte Gerät.** Mit dem passenden Gerät arbeiten Sie besser und sicherer im angegebenen Leistungsbereich.
  - b. **Benutzen Sie kein Gerät, dessen Schalter defekt ist.** Ein Gerät, das sich nicht mehr ein- oder ausschalten läßt, ist gefährlich und muß repariert werden.
  - c. **Trennen Sie den Stecker von der Stromquelle und/oder das Akkupaket vom Elektrowerkzeug, bevor Einstellungen vorgenommen, Zubehör gewechselt oder Elektrowerkzeuge verstaut werden.** Diese Vorsichtsmaßnahmen verhindern den unbeabsichtigten Start des Gerätes.
  - d. **Bewahren Sie unbenutzte Geräte außerhalb der Reichweite von Kindern auf. Lassen Sie Geräte nicht von Personen benutzen, die damit nicht vertraut sind oder diese Anweisungen nicht gelesen haben.** Geräte sind gefährlich, wenn Sie von unerfahrenen Personen benutzt werden.
  - e. **Halten Sie Geräte in einem einwandfreien Zustand. Kontrollieren Sie, ob bewegliche**

**Teile falsch ausgerichtet sind oder klemmen und ob Teile gebrochen oder so beschädigt sind, daß die Funktion des Geräts beeinträchtigt ist. Lassen Sie beschädigte Geräte vor dem Gebrauch reparieren.**

Viele Unfälle haben ihre Ursache in schlecht gewarteten Geräten.

- f. **Halten Sie Schneidgeräte scharf und sauber.** Sorgfältig gepflegte Schneidgeräte mit scharfen Schneidkanten verklemmen sich weniger und sind leichter zu führen.
- g. **Verwenden Sie das Elektrowerkzeug, Zubehör sowie Werkzeug-Bits, usw. entsprechend diesen Anweisungen. Berücksichtigen Sie dabei die Arbeitsbedingungen sowie die durchzuführende Arbeit.** Der Gebrauch von Geräten für andere als die vorgesehenen Anwendungen kann zu gefährlichen Situationen führen.

## 5. Service

- a. **Lassen Sie Ihr Gerät nur von qualifiziertem Fachpersonal und nur mit Original-Ersatzteilen reparieren.** Damit wird gewährleistet, daß die Sicherheit des Geräts erhalten bleibt.

## Zusätzliche Warnhinweise zur Sicherheit von Elektrowerkzeugen



**Achtung!** Zusätzliche Warnhinweise zur Sicherheit von Hobeln

- ♦ **Halten Sie das Elektrowerkzeug an den isolierten Griffflächen, wenn Arbeiten durchgeführt werden, bei denen das Schneidwerkzeug versteckte Leitungen oder die eigene Anschlußleitung berühren könnte.** Schneidezubehör, das eine spannungsführende Leitung berührt, setzt die freiliegenden Metallteile des Elektrowerkzeugs unter Spannung und der Benutzer erleidet einen Stromschlag.
- ♦ **Verwenden Sie Zwingen oder ähnliche Mittel, um das Werkstück auf einer stabilen Plattform zu halten und zu sichern.** Falls das Werkstück mit der Hand oder gegen den Körper gehalten wird, bleibt es instabil und Sie können die Kontrolle verlieren.
- ♦ **Warten Sie, bis das Messer stehengeblieben ist, bevor Sie das Gerät ablegen.** Ein freiliegender Hobel kann sich in der Oberfläche verfangen und Sie können die Kontrolle

verlieren und ernsthafte Verletzungen können verursacht werden.

- ◆ **Halten Sie das Messer scharf.** Stumpfe oder beschädigte Messer können bewirken, daß der Hobel unter Druck ausbricht oder hängen bleibt. Verwenden Sie stets den richtigen Messertyp für das Elektrowerkzeug.
- ◆ Fassen Sie das Werkstück bzw. das Messer unmittelbar nach dem Betrieb des Werkzeugs nicht an. Diese Teile können sehr heiß werden!
- ◆ Vor dem Hobeln müssen alle Nägel und Metallgegenstände aus dem Werkstück entfernt werden.
- ◆ Halten Sie das Gerät stets mit beiden Händen und an den vorgesehenen Handgriffen.
- ◆ Falls das Netzkabel durchgeschnitten oder beschädigt wird, ziehen Sie sofort den Netzstecker.

**Achtung!** Ein Kontakt mit Stäuben oder das Einatmen von Stäuben, die durch den Hobeinsatz entstehen, kann die Gesundheit des Bedieners und eventueller anderer Personen in der Nähe des Geräts gefährden. Tragen Sie zum Schutz vor Stäuben und Dämpfen eine Staubmaske, und stellen Sie sicher, daß auch andere Personen geschützt sind, die den Arbeitsplatz betreten oder sich darin aufhalten.

- ◆ Dieses Gerät darf nicht von Personen (einschließlich Kindern) mit eingeschränkten körperlichen, sensorischen oder geistigen Fähigkeiten verwendet werden. Auch darf es nicht von Personen verwendet werden, die keine Erfahrung mit dem Gerät oder Kenntnis darüber haben, es sei denn, sie stehen beim Gebrauch unter der Aufsicht und Anleitung einer für deren Sicherheit verantwortlichen Person. Kinder müssen beaufsichtigt werden, um sicherzustellen, daß sie nicht mit dem Gerät spielen.
- ◆ Die bestimmungsgemäße Verwendung ist in dieser Bedienungsanleitung beschrieben. Das Verwenden anderer als der in dieser Anleitung empfohlenen Anbaugeräte und Zubehörteile oder die Ausführung von Arbeiten mit diesem Gerät, die nicht der bestimmungsgemäßen Verwendung entsprechen, kann zu Unfallgefahren und/oder Sachschäden führen.

#### Sicherheit anderer Personen

- ◆ Dieses Gerät darf nicht von Personen (einschließlich Kindern) mit eingeschränkten körperlichen, sensorischen oder geistigen Fähigkeiten verwendet werden. Auch darf es

nicht von Personen verwendet werden, die keine Erfahrung mit dem Gerät oder Kenntnis darüber haben, es sei denn, sie stehen beim Gebrauch unter der Aufsicht und Anleitung einer für deren Sicherheit verantwortlichen Person.

- ◆ Kinder müssen beaufsichtigt werden, um sicherzustellen, daß sie nicht mit dem Gerät spielen.

#### Vibrationen

Die angegebenen Vibrationswerte in den Technischen Daten und der Konformitätserklärung wurden gemäß einer standardisierten und durch EN 60745 festgelegten Prüfmethode gemessen und können herangezogen werden, um ein Werkzeug mit einem anderen zu vergleichen. Der angegebene Vibrationswert kann auch für eine vorläufige Einstufung der Freisetzung herangezogen werden.

**Achtung!** Der Vibrationswert beim eigentlichen Gebrauch des Elektrowerkzeugs kann vom angegebenen Wert abweichen. Dies hängt davon ab, auf welche Weise das Werkzeug verwendet wird. Der Vibrationswert kann über den angegebenen Wert hinaus ansteigen.

Bei der Einstufung der Vibrationen zur Festlegung der von 2002/44/EG geforderten Sicherheitsmaßnahmen zum Schutz von Personen, die beruflich regelmäßig mit Elektrowerkzeugen arbeiten, muß eine Vibrationseinstufung die tatsächlichen Gebrauchsbedingungen und die Art und Weise berücksichtigen, wie das Werkzeug verwendet wird. Auch müssen alle Aspekte des Arbeitszyklus berücksichtigt werden, wie beispielsweise die Zeiten, in denen das Werkzeug aus- und eingeschaltet ist und im Leerlauf läuft.

#### Schilder auf dem Gerät

Es befinden sich folgende Bildzeichen auf dem Gerät:



**Achtung!** Um die Verletzungsgefahr zu verringern, muß der Benutzer die Bedienungsanleitung lesen.

#### Elektrische Sicherheit



Dieses Gerät ist schutzisoliert, daher ist keine Erdleitung erforderlich. Überprüfen Sie immer, ob die Netzspannung der auf dem Typenschild des Elektrowerkzeuges angegebenen Spannung entspricht.

- ◆ Falls das Netzkabel beschädigt ist, so ist es vom Hersteller oder einem autorisierten Black & Decker Service Center auszutauschen, um Gefahren vorzubeugen.

## **Merkmale**

Dieses Gerät weist einige oder alle der folgenden Merkmale auf.

1. Ein-/Aus-Schalter
2. Einschaltsperr
3. Spanauswurf
4. Einstellknopf für Hobeltiefe
5. Hobeltiefeneinteilung

## **Montage**

**Achtung!** Vergewissern Sie sich vor der Montage, daß das Gerät ausgeschaltet ist und daß der Netzstecker gezogen wurde.

## **Erneuerung der Hobelmesser (Abb. A)**

Die mit diesem Werkzeug mitgelieferten Hobelmesser können umgedreht werden. Ersatzklingen können von Ihrem örtlichen Händler bezogen werden.

## **Entfernen**

- ◆ Lösen Sie die Schrauben (6) mit dem mitgelieferten Schraubenschlüssel.
- ◆ Schieben Sie das Messer (7) aus dem Halter.
- ◆ Drehen Sie das Messer um, so daß die unbenutzte Seite verwendet wird. Sind beide Seiten verschlissen, so muß die Klinge erneuert werden.

## **Anbringen**

- ◆ Schieben Sie das Messer in den Halter, bis es sich am Endanschlag befindet.
- ◆ Ziehen Sie die Schrauben mit dem mitgelieferten Schraubenschlüssel an.

**Achtung!** Erneuern Sie stets beide Messer.

## **Einstellen der Schnittiefe (Abb. B)**

Die Schnittiefe wird durch die Markierung (8) angezeigt. Der Einstellbereich kann auf der Einteilung (5) abgelesen werden.

- ◆ Drehen Sie den Hobeltiefen-Einstellknopf (4) auf die gewünschte Schnittiefe.
- ◆ Drehen Sie den Knopf auf Stellung „P“, wenn das Gerät nicht verwendet wird.

## **KW712KA Anbringen und Entfernen des Parallelanschlages (Abb. C)**

Der Parallelanschlag wird verwendet, um eine optimale Kontrolle bei schmalen Werkstücken zu haben.

- ◆ Lösen Sie die Sicherungsknopf (9).
- ◆ Führen Sie den Parallelanschlag (11) durch die Öffnung (10).
- ◆ Schieben Sie den Parallelanschlag in die gewünschte Position.
- ◆ Ziehen Sie den Sicherungsknopf an.
- ◆ Zum Entfernen des Parallelanschlages gehen Sie in umgekehrter Reihenfolge vor.

## **Anschluß eines Staubsaugers am Gerät (Abb. D)**

Um einen Staubsauger oder eine Absaugvorrichtung mit dem Gerät zu verbinden, ist ein Adapter erforderlich. Der Adapter kann von Ihrem örtlichen Black & Decker Händler bezogen werden.

- ◆ Schieben Sie den Adapter (12) über den Spanauswurf (3).
- ◆ Verbinden Sie den Staubsaugerschlauch (13) mit dem Adapter.

## **Montieren und Anbringen des Spanfangsacks (Abb. E)**

Der Spanfangsack ist besonders nützlich, wenn unter engen Bedingungen gearbeitet werden muß.

Vor dem ersten Gebrauch muß der Spanfangsack montiert werden.

- ◆ Bringen Sie mit Hilfe der Schrauben (16) und Unterlegscheiben (17) die Drahrahmen (14) an der Anschlußplatte (15) an.
- ◆ Ziehen Sie den Stoff sack (18) wie angegeben über den Rahmen. Achten Sie darauf, daß das elastische Mundstück (19) richtig um die Kante der Anschlußplatte (15) herum angebracht wird.
- ◆ Schieben Sie die Anschlußplatte über den Spanauswurf (3).

## **Restrisiken.**

Für den Gebrauch dieses Geräts verbleiben zusätzliche Restrisiken, die möglicherweise nicht in den Sicherheitswarnungen genannt werden. Diese Risiken bestehen beispielsweise bei Missbrauch oder längerem Gebrauch.

Auch bei der Einhaltung der entsprechenden Sicherheitsvorschriften und der Verwendung aller Sicherheitsgeräte bestehen weiterhin bestimmte Restrisiken. Diese werden im Folgenden aufgeführt:

- ◆ **Verletzungen, die durch das Berühren von sich drehenden/bewegenden Teilen verursacht werden.**



- ◆ Verletzungen, die durch das Austauschen von Teilen, Messern oder Zubehör verursacht werden.
- ◆ Verletzungen, die durch längeren Gebrauch eines Geräts verursacht werden. Legen Sie bei längerem Gebrauch regelmäßige Pausen ein.
- ◆ Beeinträchtigung des Gehörs.
- ◆ Gesundheitsrisiken durch das Einatmen von Staub beim Gebrauch des Geräts (Beispielsweise bei Holzarbeiten, insbesondere Eiche, Buche und Pressspan).

## Gebrauch

**Achtung!** Beschleunigen Sie den Arbeitsvorgang nicht mit Gewalt. Vermeiden Sie eine Überlastung des Gerätes.

- ◆ Stellen Sie die Schnitttiefe ein.
- ◆ Bringen Sie gegebenenfalls den Parallelanschlag an und stellen Sie ihn ein.

## Ein- und Ausschalten

### Einschalten

- ◆ Halten Sie die Einschaltsperrleiste (2) gedrückt, und drücken Sie auf den Ein-/Ausschalter (1).
- ◆ Lassen Sie die Einschaltsperrleiste los.

### Ausschalten

- ◆ Lassen Sie den Ein-/Ausschalter los.

### Hobeln

- ◆ Halten Sie das Gerät mit dem Nasenstück des Schuhs auf der Oberseite der Werkstückoberfläche ruhend.
- ◆ Schalten Sie das Werkzeug ein.
- ◆ Bewegen Sie das Gerät gleichmäßig nach vorne, um den Schnitthub auszuführen.
- ◆ Schalten Sie das Gerät aus, nachdem der Hub beendet wurde.

### Falze (Abb. F)

- ◆ Bringen Sie den Parallelanschlag an und stellen Sie ihn ein. (KW712KA)
- ◆ Gehen Sie wie beim Hobeln vor.

### Schrägganten

Mit der V-Nut im Nasenstück des Schuhs ist es möglich, Kanten mit Winkeln von 45 Grad zu hobeln.

- ◆ Halten Sie das Gerät mit der Nut um die Kante des Werkstücks herum in einem Winkel und führen Sie den Schnitthub durch.

## Leeren des Spanfangsacks

Der Spanfangsack sollte regelmäßig nach dem Gebrauch geleert werden.

- ◆ Öffnen Sie den Reißverschluss und entleeren Sie den Sack, bevor Sie fortfahren.

## Hinweise für optimale Arbeitsergebnisse

- ◆ Bewegen Sie das Gerät entlang der Holzmaserung.
- ◆ Falls die Maserung kreuz- oder wellenförmig verläuft oder das Werkstück aus einem Hartholz besteht, stellen Sie die Schnitttiefe so ein, daß nur eine sehr dünne Schicht bei jedem Hub abgenommen wird und mehrere Arbeitsabläufe erforderlich sind, um das gewünschte Ergebnis zu erzielen.
- ◆ Damit das Gerät geradlinig bleibt, drücken Sie die Vorderseite des Geräts am Anfang herunter und drücken Sie die Hinterseite des Geräts am Ende des Schnitthubs herunter.

## Zubehör

Die Leistung Ihres Geräts hängt vom verwendeten Zubehör ab. Black & Decker und Piranha Zubehör ist nach hohen Qualitätsnormen gefertigt und dafür ausgelegt, die Leistung Ihres Geräts zu steigern. Durch Verwendung dieses Zubehörs erzielen Sie die größtmögliche Leistung Ihres Geräts.

Folgende Messertypen können von Ihrem örtlichen Händler bezogen werden:

- Umdrehbare Tungsten-Messer mit Karbidspitze (Teile-Nr. X35007, paarweise Lieferung)
- Umdrehbare Hochgeschwindigkeits-Stahlmesser (Teile-Nr. X24192-XJ11, paarweise Lieferung)

## Wartung

Ihr Gerät wurde für eine lange Lebensdauer und einen möglichst geringen Wartungsaufwand entwickelt. Ein dauerhafter, einwandfreier Betrieb setzt eine regelmäßige Pflege und Reinigung voraus.

**Achtung!** Bevor Sie irgendwelche Wartungsarbeiten vornehmen, schalten Sie das Gerät aus, und ziehen Sie den Netzstecker.

- ◆ Reinigen Sie regelmäßig die Lüftungsschlitze im Gerät mit Hilfe einer weichen Bürste oder eines trockenen Tuches.
- ◆ Reinigen Sie regelmäßig das Motorgehäuse mit Hilfe eines feuchten Tuches. Verwenden Sie keine scheuernden Reinigungsmittel oder Reinigungsmittel auf Lösungsmittelbasis.

## Erneuerung des Antriebsriemens (Abb. G)

- ◆ Lösen Sie die Schrauben (20) und entfernen Sie die Abdeckung (21).
- ◆ Entfernen Sie den alten Antriebsriemen.
- ◆ Setzen Sie den neuen Riemen (22) über die Riemenscheiben. Setzen Sie den Riemen zuerst über die große Riemenscheibe (23) und anschließend über die kleine Riemenscheibe (24), während der Riemen gleichmäßig von Hand gedreht wird.
- ◆ Bringen Sie die Abdeckung wieder in ihrer Lage an und ziehen Sie die Schrauben an.

## Umweltschutz



Getrennte Entsorgung. Dieses Produkt darf nicht über den normalen Hausmüll entsorgt werden.

Sollte Ihr Black & Decker Produkt eines Tages erneuert werden müssen, oder falls Sie es nicht weiter verwenden wollen, so darf es nicht über den Hausmüll entsorgt werden. Stellen Sie dieses Produkt zur getrennten Entsorgung bereit.



Durch die getrennte Entsorgung gebrauchter Produkte und Verpackungen können die Materialien recycelt und wiederverwertet werden. Die Wiederverwertung recycelter Materialien schont die Umwelt und verringert die Nachfrage nach Rohstoffen.

Die regionalen Bestimmungen schreiben unter Umständen die getrennte Entsorgung elektrischer Produkte aus dem Haushalt an Sammelstellen oder seitens des Händlers vor, bei dem Sie das neue Produkt erworben haben.

Black & Decker nimmt Ihre ausgedienten Black & Decker Geräte gern zurück und sorgt für eine umweltfreundliche Entsorgung und Wiederverwertung. Um diesen Dienst zu nutzen, schicken Sie bitte Ihr Produkt zu einer Vertragswerkstatt. Hier wird es dann auf unsere Kosten gesammelt.

Die Adresse der zuständigen Black & Decker Vertretung steht in diesem Handbuch, darüber läßt sich die nächstgelegene Vertragswerkstatt ermitteln. Außerdem ist eine Liste der Vertragswerkstätten und aller Kundendienststellen von Black & Decker sowie der zuständigen Ansprechpartner im Internet zu finden unter: [www.2helpU.com](http://www.2helpU.com)

## Technische Daten

		KW712/KW712KA TYP. 2
Spannung	V <sub>AC</sub>	230
Leistungsaufnahme	W	650
Leerlaufdrehzahl	min <sup>-1</sup>	17 000
Hobelbreite	mm	82
Hobeltiefe	mm	2
Falztiefe	mm	8
Gewicht	kg	3

## Gesamtvibrationswerte (Triax-Vektorsumme) gemäß EN 60745:

Vibrationswert (a<sub>v</sub>) 2,6 m/s<sup>2</sup>,  
Unsicherheitsfaktor (K) 1,5 m/s<sup>2</sup>

Höhe des Schalldrucks gemäß EN 60745:  
Schalldruck (L<sub>pA</sub>) 90 dB(A), Unsicherheitsfaktor (K) 3 dB(A), Schalleistung (L<sub>WA</sub>) 105 dB(A), Unsicherheitsfaktor (K) 3 dB(A)

## EG-Konformitätserklärung MASCHINENRICHTLINIE



KW712/KW712KA

Black & Decker erklärt, daß diese unter „Technische Daten“ beschriebenen Produkte folgende Richtlinien erfüllen: 2006/42/EC, EN 60745-1, EN 60745-2-14

Wenden Sie sich für weitere Informationen bitte an folgende Black & Decker Anschrift bzw. an die hinten im Handbuch angegebene Anschrift.

Der Unterzeichnete ist für die Zusammenstellung der technischen Datei verantwortlich und gibt diese Erklärung im Namen von Black & Decker ab.

Kevin Hewitt  
Vice-President  
Global Engineering  
Black & Decker Europe,  
210 Bath Road, Slough,  
Berkshire, SL1 3YD  
Vereinigtes Königreich  
17-02-2010

## Garantie

Black & Decker vertraut auf die Qualität der eigenen Geräte und bietet dem Käufer eine außergewöhnliche Garantie. Diese Garantiezusage versteht sich unbeschadet der gesetzlichen Gewährleistungsansprüche und schränkt diese keinesfalls ein. Sie gilt in sämtlichen



Mitgliedsstaaten der Europäischen Union und der Europäischen Freihandelszone EFTA.

Tritt innerhalb von 24 Monaten ab Kaufdatum an einem Gerät von Black & Decker ein auf Material- oder Verarbeitungsfehler zurückzuführender Mangel auf, garantiert Black & Decker den Austausch defekter Teile, die Reparatur von Geräten mit üblichem Verschleiß bzw. den Austausch eines mangelhaften Geräts, ohne den Kunden dabei mehr als unbedingt nötig in Anspruch zu nehmen, allerdings vorbehaltlich folgender Ausnahmen:

- ◆ wenn das Gerät gewerblich, beruflich oder im Verleihgeschäft benutzt wurde;
- ◆ wenn das Gerät mißbräuchlich verwendet oder mit mangelnder Sorgfalt behandelt wurde;
- ◆ wenn das Gerät durch irgendwelche Fremdeinwirkung beschädigt wurde;
- ◆ wenn ein unbefugter Reparaturversuch durch anderes Personal als das einer Vertragswerkstatt oder des Black & Decker-Kundendienstes unternommen wurde.

Zur Inanspruchnahme dieser Garantie ist dem Verkäufer bzw. der Vertragswerkstatt ein Kaufnachweis vorzulegen. Der Kaufnachweis muß Kaufdatum und Gerätetyp bescheinigen. Die Adresse des zuständigen Büros von Black & Decker steht in dieser Anleitung, darüber läßt sich die nächstgelegene Vertragswerkstatt ermitteln. Außerdem ist eine Liste der Vertragswerkstätten und aller Kundendienststellen von Black & Decker sowie der zuständigen Ansprechpartner im Internet zu finden unter:

**[www.2helpU.com](http://www.2helpU.com)**

Bitte besuchen Sie unsere Webseite **[www.blackanddecker.de](http://www.blackanddecker.de)**, um Ihr neues Black & Decker Produkt zu registrieren und über neue Produkte und Sonderangebote aktuell informiert zu werden. Weitere Informationen über die Marke Black & Decker und unsere Produkte finden Sie unter **[www.blackanddecker.de](http://www.blackanddecker.de)**

## Utilisation prévue

Votre raboteuse Black & Decker a été spécialement conçue pour raboter le bois et le plastique. Cet outil a été conçu uniquement pour une utilisation manuelle. Cet outil a été conçu pour une utilisation exclusivement domestique.

## Instructions de sécurité

### Consignes de sécurité générales pour les outils électriques



**Attention! Prenez connaissance de tous les avertissements de sécurité et de toutes les instructions.** Le non-respect des avertissements et des instructions indiqués ci-dessous peut entraîner une électrocution, un incendie ou de graves blessures.

**Conservez tous les avertissements et instructions pour référence future.** La notion d'«outil électroportatif» mentionnée par la suite se rapporte à des outils électriques raccordés au secteur (avec câble de raccordement) ou fonctionnant sur piles (sans fil).

#### 1. Sécurité de la zone de travail

- a. **Maintenez la zone de travail propre et bien éclairée.** Un lieu de travail en désordre ou mal éclairé augmente le risque d'accidents.
- b. **N'utilisez pas les outils électroportatifs dans un environnement présentant des risques d'explosion ni en présence de liquides, gaz ou poussières inflammables.** Les outils électroportatifs génèrent des étincelles risquant d'enflammer les poussières ou les vapeurs.
- c. **Tenez les enfants et autres personnes éloignés durant l'utilisation de l'outil électroportatif.** En cas d'inattention, vous risquez de perdre le contrôle sur l'outil.

#### 2. Sécurité électrique

- a. **La fiche de secteur de l'outil électroportatif doit convenir à la prise de courant. Ne modifiez en aucun cas la fiche. N'utilisez pas de fiches d'adaptateur avec des outils ayant une prise de terre.** Les fiches non modifiées et les prises de courant appropriées réduisent le risque d'électrocution.
- b. **Évitez le contact physique avec des surfaces mises à la terre telles que tuyaux, radiateurs, fours et réfrigérateurs.** Il y a un risque élevé d'électrocution si votre corps est relié à la terre.

- c. **N'exposez pas l'outil électroportatif à la pluie ni à l'humidité.** La pénétration d'eau dans un outil électroportatif augmente le risque d'électrocution.
- d. **Préservez le câble d'alimentation. N'utilisez pas le câble à d'autres fins que celles prévues, notamment pour porter l'outil, l'accrocher voire le débrancher de la prise de courant. Maintenez le câble éloigné des sources de chaleur, des parties grasses, des bords tranchants ou des parties de l'outil en rotation.** Un câble endommagé ou enchevêtré augmente le risque d'électrocution.
- e. **Si vous utilisez l'outil électroportatif à l'extérieur, utilisez une rallonge homologuée pour utilisation à l'air libre.** L'utilisation d'une rallonge électrique homologuée pour les applications extérieures réduit le risque d'électrocution.
- f. **Si l'usage d'un outil dans un emplacement humide est inévitable, utilisez une alimentation protégée par un dispositif à courant différentiel résiduel (RCD).** L'usage d'un RCD réduit le risque de choc électrique.

#### 3. Sécurité personnelle

- a. **Restez vigilant, surveillez ce que vous faites. Faites preuve de bon sens quand vous utilisez l'outil électroportatif. N'utilisez pas l'outil lorsque vous êtes fatigué ou après avoir consommé de l'alcool, des drogues voire des médicaments.** Un moment d'inattention lors de l'utilisation de l'outil peut entraîner de graves blessures.
- b. **Utilisez un équipement de protection personnelle. Portez toujours une protection pour les yeux.** Les équipements de protection personnelle tels que les masques anti-poussières, chaussures de sécurité antidérapantes, casques ou protections acoustiques utilisés dans des conditions appropriées réduisent les blessures.
- c. **Évitez toute mise en marche involontaire. Vérifiez que l'interrupteur est en position arrêt avant de brancher l'outil au secteur ou au bloc de batteries, de le prendre ou de le porter.** Transporter les outils en avec le doigt sur l'interrupteur ou les brancher avec l'interrupteur en position de marche est une source d'accidents.
- d. **Enlevez tout outil ou clé de réglage avant de mettre l'outil en marche.** Une clé ou un

- outil se trouvant sur une partie en rotation peut causer des blessures.
- e. **Adoptez une position confortable. Adoptez une position stable et gardez votre équilibre à tout moment.** Vous contrôlerez mieux l'outil dans des situations inattendues.
  - f. **Portez des vêtements appropriés. Ne portez pas de vêtements flottants ou de bijoux. N'approchez pas les cheveux, vêtements ou gants des parties des pièces mobiles.** Les vêtements amples, les bijoux ou les cheveux longs peuvent être attrapés dans les pièces en mouvement.
  - g. **Si des dispositifs servant à aspirer ou à recueillir les poussières doivent être utilisés, vérifiez qu'ils sont correctement raccordés et utilisés.** Le fait d'aspirer la poussière permet de réduire les risques inhérents à la poussière.
4. **Utilisation des outils électroportatifs et précautions**
    - a. **Ne surchargez pas l'outil. Utilisez l'outil électroportatif approprié pour le travail à effectuer.** Avec l'outil électroportatif approprié, vous travaillerez mieux et avec plus de sécurité à la vitesse pour laquelle il a été conçu.
    - b. **N'utilisez pas un outil électroportatif dont l'interrupteur est défectueux.** Un outil électroportatif qui ne peut plus être mis en ou hors fonctionnement est dangereux et doit être réparé.
    - c. **Déconnectez la prise de la source d'alimentation ou le pack-batterie de l'outil électrique avant tout réglage, changement d'accessoire voire rangement des outils électriques.** Cette mesure de précaution empêche une mise en marche par mégarde.
    - d. **Rangez les outils électroportatifs hors de portée des enfants. Ne laissez pas les personnes n'étant pas familiarisées avec l'outil ou n'ayant pas lu ces instructions l'utiliser.** Les outils électroportatifs sont dangereux lorsqu'ils sont utilisés par des personnes non initiées.
    - e. **Prenez soin des outils électroportatifs. Vérifiez que les parties en mouvement fonctionnent correctement et qu'elles ne sont pas coincées; vérifiez qu'il n'y a pas de pièces cassées ou endommagées susceptibles de nuire au bon fonctionnement de l'outil. S'il est endommagé, faites réparer l'outil avant de**

- l'utiliser.** De nombreux accidents sont dus à des outils électroportatifs mal entretenus.
- f. **Maintenez les outils de coupe aiguisés et propres.** Des outils soigneusement entretenus avec des bords tranchants bien aiguisés se coincent moins souvent et peuvent être guidés plus facilement.
  - g. **Utilisez l'outil électrique, les accessoires et forets, etc. conformément à ces instructions, en tenant compte des conditions de travail et des tâches à effectuer.** L'utilisation des outils électroportatifs à d'autres fins que celles prévues peut entraîner des situations dangereuses.
5. **Réparations**
    - a. **Faites réparer votre outil électroportatif uniquement par du personnel qualifié et seulement avec des pièces de rechange d'origine.** Cela garantira le maintien de la sécurité de votre outil.

#### Avertissements de sécurité supplémentaires pour les outils électriques



**Attention!** Avertissements de sécurité supplémentaires pour les raboteuses

- ♦ **Tenez l'outil uniquement par les surfaces isolées des poignées si l'opération effectuée peut mettre la lame en contact avec des câbles électriques cachés ou son propre cordon électrique.** Le contact de l'accessoire de coupe avec un câble sous tension met les parties métalliques de l'outil sous tension et peut provoquer une électrocution de l'utilisateur.
- ♦ **Utilisez des fixations ou tout autre moyen pratique pour fixer et soutenir la pièce à ouvrir sur une plate-forme stable.** Si vous tenez la pièce à la main ou contre votre corps, elle est instable et vous pouvez en perdre le contrôle.
- ♦ **Attendez l'arrêt du fer avant de reposer l'outil.** Un fer exposé peut s'engager avec la surface provoquant potentiellement une perte de contrôle et des blessures graves.
- ♦ **Maintenez le fer bien affûté.** Avec des fers émoussés ou endommagés, la raboteuse peut faire un écart ou caler sous la pression. Utilisez toujours le type de fer adapté à l'outil.
- ♦ **Ne touchez pas la pièce à ouvrir ou le fer juste après avoir utilisé l'outil.** Elles peuvent être très chaudes.

- ◆ Avant de raboter, retirez tous les clous et outils métalliques de la zone de travail.
- ◆ Tenez toujours l'outil à deux mains par les poignées prévues à cet effet.
- ◆ Débranchez immédiatement le câble s'il est endommagé ou coupé.

**Attention!** L'inhalation ou le contact avec des poussières de rabotage peut mettre en péril la santé de l'utilisateur et des personnes à proximité. Portez un masque contre la poussière spécialement conçu pour vous protéger des sciures et des fumées toxiques et veillez à ce que les personnes se trouvant à l'intérieur de la zone de travail ou y pénétrant soient également protégées.

- ◆ Cet outil n'est pas destiné à être utilisé par des personnes (notamment des enfants) présentant des capacités physiques, sensorielles ou mentales limitées voire dépourvues de connaissance et d'expérience, sauf si elles sont supervisées ou ont reçu des instructions pour l'usage de l'appareil par une personne responsable de leur sécurité. Les enfants ne doivent pas jouer avec l'appareil.
- ◆ Le domaine d'utilisation de l'outil est décrit dans le présent manuel. L'utilisation d'accessoires ou la réalisation d'opérations avec cet outil autres que ceux recommandés dans le présent manuel peut entraîner un risque de blessure ou de dégâts.

## Sécurité des tiers

- ◆ Cet appareil n'est pas destiné à être utilisé par des personnes (notamment des enfants) présentant des capacités physiques, sensorielles ou mentales limitées voire dépourvues de connaissance et d'expérience, sauf si elles sont supervisées ou ont reçu des instructions pour l'usage de l'appareil par une personne responsable de leur sécurité.
- ◆ Les enfants ne doivent pas jouer avec l'appareil.

## Vibration

Les valeurs des émissions de vibrations mentionnées dans les données techniques et la déclaration de conformité ont été mesurées conformément à la méthode de test normalisée indiquée par EN 60745 et permettent les comparaisons entre outils. Les valeurs des émissions de vibrations peuvent également servir à une évaluation préliminaire de l'exposition.

**Attention!** Les valeurs des émissions de vibrations en utilisant réellement l'outil peuvent différer des valeurs déclarées en fonction du mode d'usage de l'outil. Le niveau de vibration peut dépasser le niveau indiqué.

Pour évaluer l'exposition aux vibrations afin de déterminer les mesures de sécurité imposées par 2002/44/CE pour protéger les personnes utilisant régulièrement des outils électriques, une estimation de l'exposition aux vibrations devrait prendre en compte les conditions réelles et le mode d'utilisation de l'outil, notamment l'ensemble du cycle de fonctionnement ainsi l'arrêt de l'outil et son fonctionnement au ralenti, outre le démarrage.

## Étiquettes apposées sur l'outil

Les pictogrammes suivants sont présents sur l'outil:



**Attention!** Afin de réduire les risques de blessures, l'utilisateur doit lire le manuel d'instructions.

## Sécurité électrique



L'outil est doublement isolé; par conséquent, aucun câble de masse n'est nécessaire. Vérifiez si le voltage mentionné sur la plaque signalétique de la machine correspond bien à la tension de secteur présente sur lieu.

- ◆ Si le câble d'alimentation est endommagé, il doit être remplacé par le fabricant ou par un centre de réparation agréé Black & Decker afin d'éviter tout accident.

## Caractéristiques

Cet outil comprend toutes ou certaines des caractéristiques suivantes.

1. Interrupteur marche/arrêt
2. Bouton de blocage
3. Dispositif d'évacuation des copeaux
4. Dispositif de réglage de la profondeur de rabotage
5. Graduation de la profondeur de rabotage

## Assemblage

**Attention!** Avant l'assemblage, assurez-vous que l'outil est éteint et débranché.

## Remplacement des lames de coupe (fig. A)

Les lames de coupe fournies avec cet outil sont réversibles. Vous pourrez vous procurer des lames de coupe de rechange auprès de votre concessionnaire.

**Retrait**

- ◆ Dévissez les boulons (6) à l'aide de la clé fournie.
- ◆ Faites glisser la lame (7) hors de son support.
- ◆ Retournez la lame pour mettre la face neuve en place. Lorsque les deux côtés sont usés, remplacez la lame.

**Pose**

- ◆ Faites glisser la lame dans son support jusqu'à ce qu'elle soit bien bloquée.
- ◆ Serrez fermement les boulons à l'aide de la clé fournie.

**Attention!** Remplacez toujours les deux lames en même temps.

**Réglage de la profondeur de coupe (fig. B)**

La profondeur de coupe est indiquée par le repère (8). Vous pourrez lire la gamme de réglages sur l'échelle graduée (8).

- ◆ Faites tourner le bouton de réglage de profondeur de rabotage (4) jusqu'à la profondeur de coupe souhaitée.
- ◆ Placez le bouton en position 'P' lorsque l'outil n'est pas utilisé.

**KW712KA Installation et démontage du guide parallèle (fig. C)**

Le guide parallèle est utilisé pour un contrôle parfait des pièces étroites.

- ◆ Desserrez le bouton de blocage (9).
- ◆ Insérez le guide parallèle (11) dans l'orifice (10).
- ◆ Faites glisser le guide parallèle dans la position souhaitée.
- ◆ Resserrez le bouton de blocage.
- ◆ Pour enlever le guide parallèle, procédez à l'envers.

**Branchement d'un aspirateur sur l'outil (fig. D)**

Vous aurez besoin d'un adaptateur pour brancher un aspirateur ou un système d'aspiration de la poussière sur l'outil. Vous pourrez vous en procurer un auprès de votre détaillant agréé Black & Decker.

- ◆ Montez l'adaptateur (12) sur l'orifice d'évacuation des copeaux (3).
- ◆ Raccordez le tuyau de l'aspirateur (13) à l'adaptateur.

**Montage et mise en place du sac de ramassage des copeaux (fig. E)**

Le sac de ramassage des copeaux est particulièrement utile lorsque vous travaillez dans des espaces confinés.

Avant de l'utiliser pour la première fois, vous devez mettre le sac de ramassage de copeaux en place.

- ◆ Fixez les armatures en métal (14) à la plaque de fixation (15) à l'aide des vis (16) et des rondelles (17).
- ◆ Enfoncez le sac en tissu (18) sur la structure de l'armature comme indiqué. Prenez soin de bien placer le bord élastique (19) autour du bord de la plaque de fixation (15).
- ◆ Faites glisser la plaque de fixation sur l'orifice d'évacuation des copeaux (3).

**Risques résiduels.**

L'utilisation d'un outil non mentionné dans les consignes de sécurité données peut entraîner des risques résiduels supplémentaires. Ces risques peuvent survenir si l'outil est mal utilisé, si l'utilisation est prolongée, etc. Malgré l'application des normes de sécurité correspondantes et la présence de dispositifs de sécurité, les risques résiduels suivants ne peuvent être évités. Ceci comprend:

- ◆ **Les blessures dues au contact avec une pièce mobile/en rotation.**
- ◆ **Les blessures causées en changeant des pièces, lames ou accessoires.**
- ◆ **Les blessures dues à l'utilisation prolongée d'un outil. Une utilisation prolongée de l'outil nécessite des pauses régulières.**
- ◆ **Déficience auditive.**
- ◆ **Risques pour la santé causés par l'inhalation de poussières produites pendant l'utilisation de l'outil (exemple: travail avec du bois, surtout le chêne, le hêtre et les panneaux en MDF).**

**Utilisation**

**Attention!** Laissez l'outil fonctionner à sa propre vitesse. Ne le surchargez pas.

- ◆ Réglage de la profondeur de coupe
- ◆ Au besoin installez et réglez le guide parallèle.

**Démarrage et arrêt****Démarrage**

- ◆ Enfoncez le bouton de blocage (2) et appuyez sur l'interrupteur de mise en marche (1).
- ◆ Relâchez le bouton de blocage.

**Arrêt**

- ◆ Relâchez l'interrupteur de mise en marche.

**Rabotage**

- ◆ Tenez l'outil en faisant en sorte que la buse de la semelle repose bien sur la surface de la pièce à travailler.

## FRANÇAIS

- ◆ Allumez l'outil.
- ◆ Déplacez l'outil lentement vers l'avant pour raboter la pièce.
- ◆ Éteignez l'outil lorsque vous avez terminé.

### Rainurage (fig. F)

- ◆ Installez et réglez le guide parallèle. (KW712KA)
- ◆ Procédez comme pour raboter.

### Biseautage de bords

La rainure en V de la buse de la semelle vous permet de biseauter les bords à 45°.

- ◆ Tenez l'outil penché en plaçant la rainure autour du bord de la pièce à travailler et commencez à travailler.

### Comment vider le sac de ramassage des copeaux.

Le sac de ramassage des copeaux doit être régulièrement vidé.

- ◆ Ouvrez le sac et videz-le avant de continuer.

### Conseils pour une utilisation optimale

- ◆ Déplacez toujours l'outil le long du fil du bois.
- ◆ Si le fil est tranché ou sinueux, ou si la pièce est en bois dur, réglez la profondeur de coupe de telle sorte qu'elle n'enlève qu'un peu de matériau à chaque passage et réalisez plusieurs passages pour obtenir le résultat souhaité.
- ◆ Pour que l'outil reste en ligne droite, appuyez sur l'avant de l'outil au démarrage puis appuyez sur l'arrière de l'outil à la fin de chaque passage.

### Accessoires

Les performances de votre outil dépendent de l'accessoire que vous utilisez. Les accessoires Black & Decker et Piranha sont conçus selon les normes de haute qualité pour améliorer les performances de votre outil. En utilisant ces accessoires, vous obtiendrez les meilleurs résultats de votre outil.

Vous pourrez vous procurer les lames de coupe suivantes auprès de votre concessionnaire.

- Lames de coupe réversibles avec pointes en carbure de tungstène (réf. X35007, fournies par deux)
- Lames de coupe réversibles en acier à coupe rapide (réf. X24192-XJ11, fournies par deux)

### Entretien

Votre outil a été conçu pour fonctionner pendant longtemps avec un minimum d'entretien. Un

fonctionnement continu satisfaisant dépend d'un nettoyage régulier et d'un entretien approprié de l'outil.

**Attention!** Avant d'effectuer tout entretien, éteignez et débranchez l'outil.

- ◆ Nettoyez régulièrement les orifices de ventilation de votre outil à l'aide d'une brosse douce ou d'un chiffon sec.
- ◆ Nettoyez régulièrement le compartiment du moteur à l'aide d'un chiffon humide. N'utilisez pas de produit abrasif ou à base de solvant.

### Remplacement de la courroie d'entraînement (fig. G)

- ◆ Desserrez les vis (20) et retirez le couvercle (21).
- ◆ Démontez la courroie d'entraînement usée.
- ◆ Faites glisser la nouvelle courroie (22) sur les poulies. Placez d'abord la courroie sur la grande poulie (23), puis sur la petite poulie (24), tout en faisant tourner manuellement la courroie lentement.
- ◆ Remettez le couvercle en place et vissez les vis.

### Protection de l'environnement



Collecte séparée. Ce produit ne doit pas être jeté avec les déchets domestiques normaux.

Si vous décidez de remplacer ce produit Black & Decker, ou si vous n'en avez plus l'utilité, ne le jetez pas avec vos déchets domestiques. Rendez-le disponible pour une collecte séparée.



La collecte séparée des produits et emballages usés permet le recyclage des articles afin de les utiliser à nouveau. Le fait d'utiliser à nouveau des produits recyclés permet d'éviter la pollution environnementale et de réduire la demande de matières premières.

Les réglementations locales peuvent permettre la collecte séparée des produits électriques du foyer, dans des déchetteries municipales ou auprès du revendeur vous ayant vendu votre nouveau produit.

Black & Decker fournit un dispositif permettant de collecter et de recycler les produits Black & Decker lorsqu'ils ont atteint la fin de leur cycle de vie. Pour pouvoir profiter de ce service, veuillez retourner votre produit à un réparateur agréé qui se chargera de le collecter pour nous.



Pour connaître l'adresse du réparateur agréé le plus proche de chez vous, contactez le bureau Black & Decker à l'adresse indiquée dans ce manuel. Vous pourrez aussi trouver une liste des réparateurs agréés de Black & Decker et de plus amples détails sur notre service après-vente sur le site Internet à l'adresse suivante:

[www.2helpU.com](http://www.2helpU.com)

### Caractéristiques techniques

		KW712/KW712KA TYP. 2
Tension	$V_{AC}$	230
Puissance absorbée	W	650
Vitesse à vide	$\text{min}^{-1}$	17 000
Largeur de rabotage	mm	82
Profondeur de rabotage	mm	2
Profondeur de rainurage	mm	8
Poids	kg	3

### Valeurs totales de vibration (somme vectorielle triax) selon EN 60745:

Valeur d'émissions de vibrations ( $a_h$ ) 2,6  $\text{m/s}^2$ ,  
incertitude (K) 1,5  $\text{m/s}^2$

Niveau de pression acoustique selon EN 60745:  
Pression acoustique ( $L_{pA}$ ) 90 dB(A), incertitude (K) 3 dB(A),  
Puissance acoustique ( $L_{WA}$ ) 105 dB(A),  
incertitude (K) 3 dB(A)

## Déclaration de conformité CE

DIRECTIVE MACHINES



KW712/KW712KA

Black & Decker déclare que ces produits décrits sous les « caractéristiques techniques » sont conformes avec: 2006/42/EC, EN 60745-1, EN 60745-2-14

Pour en savoir plus, veuillez contacter Black & Decker à l'adresse suivante ou consultez le dos du manuel.

Le soussigné est responsable de la compilation du fichier technique et effectue cette déclaration au nom de Black & Decker.

Kevin Hewitt  
Vice-président Ingénierie globale  
Black & Decker Europe,  
210 Bath Road, Slough,  
Berkshire, SL1 3YD  
Royaume Uni  
17-02-2010

## Garantie

Black & Decker est confiant dans la qualité de ses produits et vous offre une garantie très étendue. Ce certificat de garantie est un document supplémentaire et ne peut en aucun cas se substituer à vos droits légaux. La garantie est valable sur tout le territoire des Etats Membres de l'Union Européenne et de la Zone de Libre Echange Européenne.

Si un produit Black & Decker s'avère défectueux en raison de matériaux en mauvaises conditions, d'une erreur humaine, ou d'un manque de conformité dans les 24 mois suivant la date d'achat, Black & Decker garantit le remplacement des pièces défectueuses, la réparation des produits usés ou cassés ou remplace ces produits à la convenance du client, sauf dans les circonstances suivantes:

- ◆ Le produit a été utilisé dans un but commercial, professionnel, ou a été loué.
- ◆ Le produit a été mal utilisé ou avec négligence.
- ◆ Le produit a subi des dommages à cause d'objets étrangers, de substances ou à cause d'accidents.
- ◆ Des réparations ont été tentées par des techniciens ne faisant pas partie du service technique de Black & Decker.

Pour avoir recours à la garantie, il est nécessaire de fournir une preuve d'achat au vendeur ou à un réparateur agréé. Pour connaître l'adresse du réparateur agréé le plus proche de chez vous, contactez le bureau Black & Decker à l'adresse indiquée dans ce manuel. Vous pourrez aussi trouver une liste des réparateurs agréés de Black & Decker et de plus amples détails sur notre service après-vente sur le site Internet à l'adresse suivante: [www.2helpU.com](http://www.2helpU.com)

Visitez notre site Web

[www.blackanddecker.fr](http://www.blackanddecker.fr) pour enregistrer votre nouveau produit Black & Decker et être informé des nouveaux produits et des offres spéciales. Pour plus d'informations concernant la marque Black & Decker et notre gamme de produits, consultez notre site [www.blackanddecker.fr](http://www.blackanddecker.fr)

## Použití výrobku

Váš hoblík Black & Decker je určen pro hoblování dřeva, dřevěných výrobků a plastů. Nářadí je určeno pro ruční obsluhu. Toto nářadí je určeno pouze pro spotřebitelské použití.

## Bezpečnostní pokyny

### Všeobecné bezpečnostní pokyny pro práci s elektrickým nářadím



**Varování! Přečtěte si všechny bezpečnostní pokyny a bezpečnostní výstrahy.** Nedodržení níže uvedených pokynů může mít za následek úraz elektrickým proudem, vznik požáru nebo vážné poranění.

**Veškerá bezpečnostní varování a pokyny uschovejte pro případné další použití.** Termín „elektrické nářadí“ ve všech upozorněních odkazuje na vaše nářadí napájené ze sítě (je opatřeno napájecím kabelem) nebo nářadí napájené baterií (bez napájecího kabelu).

#### 1. Bezpečnost na pracovišti

- a. **Pracovní prostor udržujte čistý a dobře osvětlený.** Přeplněný a neosvětlený pracovní prostor může vést k způsobení úrazů.
- b. **Nepracujte s elektrickým nářadím ve výbušném prostředí, jako jsou například prostory s výskytem hořlavých kapalin, plynů nebo prašných látek.** V elektrickém nářadí dochází k jiskření, které může způsobit vznícení hořlavého prachu nebo výparů.
- c. **Při práci s elektrickým nářadím zajistěte bezpečnou vzdálenost dětí a ostatních osob.** Rozptylování může způsobit ztrátu kontroly nad nářadím.

#### 2. Elektrická bezpečnost

- a. **Zástrčka napájecího kabelu nářadí musí odpovídat zásuvce. Zástrčku nikdy žádným způsobem neupravujte. Nepoužívejte u uzemněného elektrického nářadí žádné upravené zástrčky.** Neupravované zástrčky a odpovídající zásuvky snižují riziko vzniku úrazu elektrickým proudem.
- b. **Nedotýkejte se uzemněných povrchů, jako jsou například potrubí, radiátory, elektrické sporáky a chladničky.** Při uzemnění vašeho těla vzrůstá riziko úrazu elektrickým proudem.
- c. **Nevystavujte elektrické nářadí dešti nebo vlhkému prostředí.** Vnikne-li do elektrického nářadí voda, zvýší se riziko úrazu elektrickým proudem.

#### d. S napájecím kabelem zacházejte opatrně.

**Nikdy nepoužívejte napájecí kabel k přenášení nebo posouvání nářadí a netahajte za něj, chcete-li nářadí odpojit od elektrické sítě. Zabraňte kontaktu kabelu s mastnými, horkými a ostrými předměty nebo pohyblivými částmi.** Poškozený nebo zauzlený napájecí kabel zvyšuje riziko úrazu elektrickým proudem.

- e. **Při práci s nářadím venku použijte prodlužovací kabely určené pro venkovní použití.** Použití kabelu pro venkovní použití snižuje riziko úrazu elektrickým proudem.
- f. **Při práci s elektrickým nářadím ve vlhkém prostředí musí být v napájecím okruhu použit proudový chránič (RCD).** Použití proudového chrániče (RCD) snižuje riziko úrazu elektrickým proudem.

#### 3. Bezpečnost obsluhy

- a. **Při použití elektrického nářadí zůstaňte stále pozorní, sledujte, co provádíte a pracujte s rozvahou. Nepoužívejte elektrické nářadí, jste-li unaveni nebo jste-li pod vlivem drog, alkoholu nebo léků.** Chvilka nepozornosti při práci s elektrickým nářadím může vést k vážnému úrazu.
- b. **Používejte prvky osobní ochrany. Vždy používejte ochranu zraku.** Ochranné prostředky jako respirátor, neklouzavá pracovní obuv, přilba a chrániče sluchu, používané v příslušných podmínkách, snižují riziko poranění osob.
- c. **Zabraňte náhodnému spuštění. Před připojením zdroje napětí nebo před vložením baterie a před zvednutím nebo přenášením nářadí zkontrolujte, zda je vypnutý hlavní spínač.** Přenášení elektrického nářadí s prstem na hlavním spínači nebo připojení napájecího kabelu k elektrické síti, je-li hlavní spínač nářadí v poloze zapnuto, může způsobit úraz.
- d. **Před spuštěním nářadí se vždy ujistěte, zda nejsou v jeho blízkosti klíče nebo seřizovací přípravky.** Seřizovací klíče ponechané na nářadí mohou být zachyceny rotujícími částmi nářadí a mohou způsobit úraz.
- e. **Nepřekázejte sami sobě. Při práci vždy udržujte vhodný a pevný postoj.** Tak je umožněna lepší ovladatelnost nářadí v neočekávaných situacích.
- f. **Vhodně se oblékejte. Nenoste volný oděv nebo šperky. Dbejte na to, aby se**



vaše vlasy, oděv a rukavice nedostaly do kontaktu s pohyblivými částmi. Volný oděv, šperky nebo dlouhé vlasy mohou být pohyblivými díly zachyceny.

- g. Jsou-li zařízení vybavena adaptérem pro připojení zařízení k zachytávání prachu, zajistíte jeho správné připojení a řádnou funkci. Použití těchto zařízení může snížit nebezpečí týkající se prachu.
4. Použití elektrického nářadí a jeho údržba
- a. **Nepřetěžujte elektrické nářadí. Používejte správný typ nářadí pro prováděnou práci.** Při použití správného typu nářadí bude práce provedena lépe a bezpečněji.
- b. **Pokud nelze hlavní spínač nářadí zapnout a vypnout, s nářadím nepracujte.** Každé elektrické nářadí s nefunkčním hlavním spínačem je nebezpečné a musí být opraveno.
- c. **Před seřizováním nářadí, před výměnou příslušenství nebo pokud nářadí nepoužíváte, odpojte zástrčku napájecího kabelu od zásuvky nebo z nářadí vyjměte baterii.** Tato preventivní bezpečnostní opatření snižují riziko náhodného spuštění nářadí.
- d. **Uložte elektrické nářadí mimo dosah dětí a nedovolte ostatním osobám, které toto nářadí neumí ovládat nebo které neznají tyto bezpečnostní pokyny, aby s tímto elektrickým nářadím pracovaly.** Elektrické nářadí je v rukou nequalifikované obsluhy nebezpečné.
- e. **Provádějte údržbu elektrického nářadí. Zkontrolujte vychýlení nebo zablokování pohyblivých částí, poškození jednotlivých dílů a jiné okolnosti, které mohou ovlivnit chod nářadí. Je-li nářadí poškozeno, nechejte jej před použitím opravit.** Mnoho nehod bývá způsobeno zanedbanou údržbou nářadí.
- f. **Řezné nástroje udržujte ostré a čisté.** Řádně udržované řezné nástroje s ostrými řeznými břity jsou méně náchylné k zanášení nečistotami a lépe se ovládají.
- g. **Elektrické nářadí, příslušenství, držáky nástrojů atd., používejte podle těchto pokynů, berte v úvahu podmínky pracovního prostředí a práci, kterou budete provádět.** Použití elektrického nářadí k jiným účelům, než k jakým je určeno, může být nebezpečné.

## 5. Opravy

- a. **Svěřte opravu vašeho elektrického nářadí pouze osobě s příslušnou kvalifikací, která bude používat výhradně originální náhradní díly.** Tím zajistíte bezpečný provoz nářadí.

### Doplňkové bezpečnostní pokyny pro práci s elektrickým nářadím



**Varování!** Další bezpečnostní pokyny týkající se hoblíků

- ♦ **Při pracovních operacích, u kterých by mohlo dojít ke kontaktu se skrytými vodiči nebo s vlastním napájecím kabelem, držte elektrické nářadí vždy za izolované rukojeti.** Při kontaktu pracovního příslušenství s „živým“ vodičem způsobí nechráněné kovové části nářadí obsluhu zásah elektrickým proudem.
  - ♦ **Pro zajištění a upnutí obrobku k pracovnímu stolu používejte svorky nebo jiné vhodné prostředky.** Držení obrobku rukou nebo opření obrobku o část těla nezajistí jeho stabilitu a může vést k ztrátě kontroly.
  - ♦ **Před odložením hoblíků počkejte, dokud se nůž zcela nezastaví.** Nechráněný nůž může vniknout do povrchu, což může způsobit ztrátu kontroly nad nářadím a vážné zranění.
  - ♦ **Udržujte nůž ostrý.** Tupé nebo poškozené nože mohou při práci pod tlakem způsobit vychýlení nebo zablokování. Při práci vždy používejte typ nože schválený pro vaše nářadí.
  - ♦ **Nedotýkejte se obrobku nebo nože ihned po ukončení práce s nářadím.** Mohou být velmi horké.
  - ♦ **Před zahájením hoblování odstraňte z obrobku všechny hřebíky a kovové předměty.**
  - ♦ **Vždy držte nářadí oběma rukama a za příslušné rukojeti.**
  - ♦ **Dojde-li k poškození napájecího kabelu nebo k jeho přeseknutí, ihned odpojte napájecí kabel od síťové zásuvky.**
- Varování!** Kontakt nebo vdechování prachu a pilin, které vznikají při hoblování, může ohrozit zdraví pracovníka i okolo stojících osob. Používejte masku proti prachu určenou speciálně na ochranu před toxickým prachem a podobnými látkami a zajistíte, aby byly takto chráněny všechny osoby nacházející se nebo vstupující do pracovního prostoru.
- ♦ **Toto nářadí není určeno k použití osobami (včetně dětí) se sníženými fyzickými, smyslovými nebo duševními schopnostmi, nebo s nedostatkem zkušeností a znalostí,**

pokud těmto osobám nebyl stanoven dohled, nebo pokud jim nebyly poskytnuty instrukce týkající se použití tohoto výrobku osobou odpovědnou za jejich bezpečnost. Děti by měly být pod dozorem, aby si s nářadím nehrály.

- ◆ Určené použití tohoto výrobku je popsáno v tomto návodu. Použití jiného příslušenství nebo přídatného zařízení a provádění jiných pracovních operací s tímto nářadím, než je doporučeno tímto návodem, může způsobit poranění obsluhy nebo poškození zařízení.

## Bezpečnost ostatních osob

- ◆ Tento výrobek není určen k použití osobami (včetně dětí) se sníženými fyzickými, smyslovými nebo duševními schopnostmi, nebo s nedostatkem zkušeností a znalostí, pokud těmto osobám nebyl stanoven dohled, nebo pokud jim nebyly poskytnuty instrukce týkající se použití výrobku osobou odpovědnou za jejich bezpečnost.
- ◆ Děti by měly být pod dozorem, aby si s nářadím nehrály.

## Vibrace

Deklarovaná úroveň vibrací uvedená v technických údajích a v prohlášení o shodě byla měřena v souladu se standardní zkušební metodou předepsanou normou EN 60745 a může být použita pro srovnání jednotlivých nářadí mezi sebou. Deklarovaná úroveň vibrací může být také použita k předběžnému stanovení doby práce s tímto nářadím.

**Varování!** Úroveň vibrací při aktuálním použití elektrického nářadí se může od deklarované úrovně vibrací lišit v závislosti na způsobu použití nářadí. Úroveň vibrací může být vzhledem k uvedené hodnotě vyšší.

Při stanovení doby působení vibrací, z důvodu určení bezpečnostních opatření podle normy 2002/44/EC k ochraně osob pravidelně používajících elektrické nářadí v zaměstnání, by měl předběžný odhad působení vibrací brát na zřetel aktuální podmínky použití nářadí s přihlédnutím na všechny části pracovního cyklu, jako jsou doby, při které je nářadí vypnuto a kdy běží naprázdno.

## Štítky na nářadí

Na nářadí jsou následující piktogramy:



**Varování!** Z důvodu snížení rizika způsobení úrazu si uživatel musí přečíst tento návod k obsluze.

## Elektrická bezpečnost



Toto nářadí je opatřeno dvojitou izolací. Proto není nutné použití uzemňovacího vodiče. Vždy zkontrolujte, zda napájecí napětí odpovídá napětí na výkonovém štítku.

- ◆ Je-li poškozen napájecí kabel, musí být vyměněn výrobcem nebo v autorizovaném servisu Black & Decker, aby bylo zabráněno možným rizikům.

## Popis

Toto nářadí se skládá z některých nebo ze všech následujících částí.

1. Spínač zapnuto/vypnuto
2. Odjišťovací tlačítko
3. Výstupní otvor pro odvod hoblin
4. Seřizovací šroub hloubky hoblování
5. Stupnice hloubky hoblování

## Sestavení

**Varování!** Před montáží se ujistěte, zda je nářadí vypnuto a zda je napájecí kabel odpojen od zásuvky.

## Výměna nožů (obr. A)

Nože dodávané s tímto nářadím jsou oboustranné. Náhradní nože můžete získat u autorizovaného prodejce.

## Demontáž

- ◆ Pomocí dodávaného klíče uvolněte šrouby (6).
- ◆ Vysuňte nůž (7) z držáku.
- ◆ Obraťte nůž tak, aby se do pracovní polohy dostala nepoužitá část oboustranného nože. Jsou-li opotřebovány již obě strany nože, musí být provedena výměna nože.

## Upnutí

- ◆ Nasuňte nůž do držáku tak, aby se dostal ke koncovému dorazu.
- ◆ Utáhněte šrouby pomocí dodaného klíče.

**Varování!** Vždy vyměňujte oba nože.

## Nastavení hloubky hoblování (obr. B)

Hloubka hoblování je vyznačena značkou (8). Rozsah nastavení může být odcítán na stupnici (5).

- ◆ Otáčením seřizovacího šroubu hloubky hoblování (4) nastavte požadovanou hloubku hoblování.
- ◆ Není-li nářadí používáno, vždy nastavte seřizovací šroub do polohy P.

### KW712KA - Nasazení a sejmутí paralelního vodička (obr. C)

Paralelní vodička je používáno pro optimální ovládání nářadí při práci s úzkými obrobky.

- ◆ Povolte pojistný šroub (9).
- ◆ Zasuňte paralelní vodička (11) do otvoru (10).
- ◆ Nastavte paralelní vodička do požadované polohy.
- ◆ Utáhněte pojistný šroub.
- ◆ Chcete-li paralelní vodička sejmout, proveďte výše uvedené kroky v obráceném pořadí.

### Připojení vysavače k nářadí (obr. D)

Chcete-li k nářadí připojit vysavač nebo odsávací zařízení, musíte použít adaptér. Tento adaptér můžete zakoupit u nejbližšího autorizovaného prodejce Black & Decker.

- ◆ Nasuňte adaptér (12) na výstupní otvor pro odvod hoblin (3).
- ◆ Připojte k adaptéru hadici vysavače (13).

### Sestavení a upevnění sběrného vaku na hobliny (obr. E)

Sběrný vak na hobliny je velmi užitečný zejména při práci v omezených prostorech.

Před prvním použitím musíte sběrný vak na hobliny nejdříve sestavit.

- ◆ Pomocí šroubů (16) a podložek (17) připevněte drátěné rámečky (14) k desce (15).
- ◆ Natáhněte textilní sběrný vak (18) na vytvořenou konstrukci, jako na uvedeném obrázku. Dbejte na to, aby byl pružný otvor (19) správně nasazen na hranu desky (15).
- ◆ Nasuňte desku na výstupní otvor pro odvod hoblin (3).

### Zbytková rizika.

Je-li nářadí používáno jiným způsobem, než je uvedeno v příložených bezpečnostních varováních, mohou se objevit dodatečná zbytková rizika. Tato rizika mohou vzniknout v důsledku nesprávného použití, dlouhodobého použití atd. Přestože jsou dodržovány příslušné bezpečnostní předpisy a jsou používána bezpečnostní zařízení, určitá zbytková rizika nemohou být vyloučena. Tato rizika jsou následující:

- ◆ **Zranění způsobená kontaktem s jakoukoli rotující nebo pohybující se částí.**
- ◆ **Zranění způsobená při výměně dílů, pracovního nástroje nebo příslušenství.**
- ◆ **Zranění způsobená dlouhodobým použitím nářadí. Používáte-li jakékoli nářadí delší dobu, zajistěte, aby byly prováděny pravidelné přestávky.**

- ◆ **Poškození sluchu.**
- ◆ **Zdravotní rizika způsobená vdechováním prachu vytvářeného při použití nářadí (příklad: - práce se dřevem, zejména s dubovým, bukovým a MDF).**

### Použití

**Varování!** Nechejte nářadí pracovat jeho vlastním tempem. Zamezte přetěžování nářadí.

- ◆ Nastavte hloubku hoblování.
- ◆ Je-li to nutné, připevněte a seřídte paralelní vodička.

### Zapnutí a vypnutí

#### Zapnutí

- ◆ Držte stisknuté odjišťovací tlačítko (2) a stiskněte spínač zapnuto/vypnuto (1).
- ◆ Uvolněte odjišťovací tlačítko.

#### Vypnutí

- ◆ Uvolněte spínač zapnuto/vypnuto.

### Hoblování

- ◆ Držte nářadí tak, aby přední část patky spočívala na povrchu obrobku.
- ◆ Zapněte nářadí.
- ◆ Pohybuje nářadím rovnoměrně dopředu, aby došlo k pracovnímu pohybu.
- ◆ Po ukončení pracovního pohybu nářadí vypněte.

### Drážkování (obr. F)

- ◆ Připevněte a seřídte paralelní vodička. (POUZE KW712KA)
- ◆ Postupujte jako při hoblování.

### Srážení hran

V přední části patky nářadí je drážka ve tvaru V, která umožňuje srážení hran v úhlu 45°.

- ◆ Držte nářadí srovnáno s drážkou u hrany obrobku a proveďte pracovní pohyb.

### Vyprázdnění sběrného vaku

Sběrný vak na hobliny by měl být během práce pravidelně vysypáván.

- ◆ Otevřete vak a vysypte z něj hobliny.

### Rady pro optimální použití

- ◆ Vždy provádějte hoblování po směru vláken dřeva.
- ◆ Jsou-li vlákna dřeva napříč obrobkem, je-li dřevo deformováno nebo je-li materiálem obrobku velmi tvrdé dřevo, nastavte hloubku hoblování tak, aby byla při každém pracovním pohybu odebírána pouze velmi tenká vrstva materiálu a proveďte několik pracovních

pohybů, abyste dosáhli požadované hloubky hoblování.

- ♦ Aby byla zajištěna správná poloha a směr nářadí během pracovního pohybu, při zahájení pohybu stlačujte přední část nářadí a při ukončení pracovního pohybu stlačujte zadní část nářadí.

### Příslušenství

Výkon vašeho nářadí záleží na používaném příslušenství. Příslušenství Black & Decker a Piranha jsou navržena a vyrobená podle norem pro vysokou kvalitu a jsou určena pro zvýšení výkonu vašeho nářadí. Použitím tohoto příslušenství docílíte toho nejlepšího výsledku, který vám vaše nářadí může poskytnout.

U autorizovaného prodejce můžete získat následující typy nožů.

- Oboustranné nože s břity osazenými destičkami karbidu wolframu (kat. č. X35007, dodávány v páru)
- Oboustranné nože s rychlořezné oceli (kat. č. X24192-XJ11, dodávány v páru)

### Údržba

Vaše nářadí Black & Decker bylo zkonstruováno tak, aby pracovalo co nejdéle s minimálními nároky na údržbu. Řádná péče o nářadí a jeho pravidelné čištění vám zajistí jeho bezproblémový chod.

**Varování!** Před prováděním jakékoliv údržby nářadí vypněte a odpojte napájecí kabel od sítě.

- ♦ Větrací otvory nářadí pravidelně čistěte měkkým kartáčem nebo suchým hadříkem.
- ♦ Pomocí vlhkého hadříku pravidelně čistěte kryt motoru. Nepoužívejte žádné abrazivní čisticí prostředky nebo rozpouštědla.

### Výměna hnacího řemenu (obr. G)

- ♦ Povolte šrouby (20) a sejměte kryt (21).
- ♦ Sejměte starý hnací řemen.
- ♦ Nasadte na řemenice nový hnací řemen (22). Nasadte řemen nejdříve na velkou řemenici (23) a potom na malou řemenici (24), zatímco budete rovnoměrně rukou otáčet řemenem.
- ♦ Vraťte kryt na původní místo a utáhněte šrouby.

### Výměna síťové zástrčky (pouze Velká Británie a Irsko)

Budete-li instalovat novou zástrčku napájecího kabelu:

- ♦ Zajistěte ekologickou likvidaci staré zástrčky.
- ♦ Připojte hnědý vodič ke svorce pod napětím na nové zástrčce.
- ♦ Modrý vodič připojte k nulové svorce.

**Varování!** K uzemňovací svorce nesmí být připojen žádný vodič. Dodržujte montážní pokyny dodávané s kvalitními zástrčkami. Doporučená pojistka: 5 A.

### Ochrana životního prostředí



Třídte odpad. Tento výrobek nesmí být vyhozen do běžného domácího odpadu.

Pokud nebudete výrobek Black & Decker dále používat nebo přejete-li si jej nahradit novým, nelikvidujte jej spolu s běžným komunálním odpadem. Zlikvidujte tento výrobek v tříděném odpadu.



Tříděný odpad umožňuje recyklaci a opětovné využití použitých výrobků a obalových materiálů. Opětovné použití recyklovaných materiálů pomáhá chránit životní prostředí před znečištěním a snižuje spotřebu surovin.

Při zakoupení nových výrobků vám prodejny, místní sběrný odpadů nebo recyklační stanice poskytnou informace o správné likvidaci elektroodpadů z domácnosti.

Společnost Black & Decker poskytuje službu sběru a recyklace výrobků Black & Decker po skončení jejich provozní životnosti. Chcete-li získat výhody této služby, odevzdejte prosím váš výrobek kterémukoli autorizovanému zástupci servisu, který nářadí odebere a zajistí jeho recyklaci.

Místo nejbližšího autorizovaného servisu Black & Decker naleznete na příslušné adrese uvedené v tomto návodu. Seznam autorizovaných servisů Black & Decker a podrobnosti o poprodejním servisu naleznete také na internetové adrese: [www.2helpU.com](http://www.2helpU.com)

### Technické údaje

	KW712/KW712KA TYP 2	
Napájecí napětí	$V_{AC}$	230
Příkon	W	650
Otáčky naprázdno	$\text{min}^{-1}$	17 000
Šířka hoblování	mm	82
Hloubka hoblování	mm	2
Drážkovací hloubka	mm	8
Hmotnost	kg	3

### Celková úroveň vibrací (prostorový vektorový součet) podle normy EN 60745:

Hodnota vibrací ( $a_w$ ) 2,6  $\text{m/s}^2$ , odchylka (K) 1,5  $\text{m/s}^2$

Hladina akustického tlaku podle normy EN 60745:  
Akustický tlak ( $L_{pA}$ ) 90 dB(A), odchylka (K) 3 dB(A)  
Akustický výkon ( $L_{WA}$ ) 105 dB(A), odchylka (K)  
3 dB(A)

### ES Prohlášení o shodě SMĚRNICE PRO STROJNÍ ZAŘÍZENÍ



KW712/KW712KA

Společnost Black & Decker prohlašuje, že tyto produkty popisované v technických údajích splňují požadavky následujících norem: 2006/42/EC, EN 60745-1, EN 60745-2-14

Chcete-li získat další informace, kontaktujte prosím společnost Black & Decker na následující adrese nebo na adresách, které jsou uvedeny na konci tohoto návodu.

Níže podepsaná osoba je odpovědná za sestavení technických údajů a provádí toto prohlášení v zastoupení společnosti Black & Decker.

Kevin Hewitt  
Viceprezident pro  
spotřebitelskou techniku  
Black & Decker Europe,  
210 Bath Road, Slough,  
Berkshire, SL1 3YD  
United Kingdom  
17-02-2010

### Záruka

Společnost Black & Decker je přesvědčena o kvalitě svých výrobků a nabízí mimořádnou záruku. Tato záruka je nabízena ve prospěch zákazníka a nijak neovlivní jeho zákonná záruční práva. Tato záruka platí ve všech členských státech EU a v evropské zóně volného obchodu EFTA.

Objeví-li se na výrobku Black & Decker, v průběhu 24 měsíců od zakoupení, jakékoli materiálové či výrobní vady, společnost Black & Decker garantuje ve snaze o minimalizování vašich starostí bezplatnou výměnu vadných dílů, opravu nebo výměnu celého výrobku za níže uvedených podmínek:

- ◆ Výrobek nebyl používán pro obchodní nebo profesionální účely a nedocházelo-li k jeho pronájmu.
- ◆ Výrobek nebyl vystaven nesprávnému použití a nebyla zanedbána jeho předepsaná údržba.
- ◆ Výrobek nebyl poškozen cizím zaviněním.

- ◆ Opravy nebyly prováděny jinými osobami, než autorizovanými opraváři nebo mechaniky autorizovaného servisu Black & Decker.

Požadujete-li záruční opravu, budete muset prodejci nebo zástupci autorizovaného servisu předložit doklad o zakoupení výrobku. Místo nejbližšího autorizovaného servisu Black & Decker naleznete na příslušné adrese uvedené v tomto návodu. Seznam autorizovaných servisů Black & Decker a podrobnosti o poprodejním servisu naleznete také na internetové adrese: **www.2helpU.com**

Navštivte prosím naši internetovou stránku **www.blackanddecker.co.uk**, abyste mohli zaregistrovat váš nový výrobek Black & Decker a kde budete informováni o našich nových výrobcích a speciálních nabídkách. Na adrese **www.blackanddecker.co.uk** jsou k dispozici další informace o značce Black & Decker a o celé řadě našich dalších výrobků.



## Rendeltetészerű használat

Black & Decker gyaluja fa, műanyagok és fémek gyalulására alkalmas. A szerszám kézben tartva használandó, kizárólag háztartási felhasználásra.

## Biztonsági előírások

### Elektromos kéziszerszámokra vonatkozó általános biztonsági figyelmeztetések



**Figyelmeztetés! Olvassa el az összes biztonsági figyelmeztetést és utasítást.**

A következő figyelmeztetések, utasítások figyelmen kívül hagyása elektromos áramütést vagy tüzet és/vagy súlyos balesetet okozhat.

### Őrizze meg a figyelmeztetéseket és a használati utasítást, hogy azokat később is fellapozhassa.

Az „elektromos szerszám” kifejezés a figyelmeztetésekből az Ön által használt hálózati (vezetékes) vagy akkumulátoros (vezeték nélküli) elektromos szerszámát jelenti.

#### 1. A munkaterület biztonsága

a. **A munkaterületet tartsa tisztán és jól világítsa ki.** A rendetlen és sötét munkaterület a balesetek melegágya.

b. **Ne használja az elektromos szerszámot robbanásveszélyes környezetben, például gyúlékony folyadékok, gázok vagy porok jelenlétében.** Az elektromos szerszámokban szikrák keletkeznek, amelyek meggyújtják a porokat vagy a gőzöket.

c. **Az elektromos szerszám használata közben ne engedje közel a gyerekeket vagy báméskodókat.** Ha elterelik figyelmét, elveszítheti uralmát a szerszám fölött.

#### 2. Elektromos biztonság

a. **Az elektromos kéziszerszám dugasza meg kell, hogy feleljen a hálózati csatlakozóaljzat kialakításának.** Soha, semmilyen módon se változtassa meg a csatlakozódugaszt. **A földelt kéziszerszámokkal soha ne használjon adapterdugaszt.** Az eredeti (módosítatlan) csatlakozó és a megfelelő fali dugaljak használata csökkenti az áramütés kockázatát.

b. **Ügyeljen, hogy teste ne érintkezzék földelt felületekkel, például csővezetékekkel, rádiátorral, hűtőszekrényel.** Ha teste földelt felülettel érintkezik, az növeli az elektromos áramütés kockázatát.

c. **Ne engedje, hogy az elektromos szerszámok megázzanak, ill. azokat**

**nedvesség érje** Ha víz kerül az elektromos szerszámra, az növeli az elektromos áramütés kockázatát.

d. **Óvatosan kezelje a tápkábelt. Az elektromos kéziszerszámot soha ne vigye és ne húzza a kábelnél fogva, és a dugaszt ne a kábelnél fogva húzza ki az aljzataból. Óvja a kábelt a hőtől, olajtól, éles szegletektől, illetve a mozgó alkatrészekről.** A sérült vagy összegabalyodott kábel növeli az elektromos áramütés kockázatát.

e. **Ha a szabadban használja az elektromos szerszámot, kültéri használatra alkalmas hosszabbítókábellet vegyen igénybe.**

A kültéri használatra alkalmas hosszabbító kábellel csökkentheti az elektromos áramütés kockázatát.

f. **Ha az elektromos szerszám nedves helyen való használata elkerülhetetlen, alkalmazzon Fi-relével védett áramforrást.**

A Fi-relé használata csökkenti az elektromos áramütés kockázatát.

#### 3. Személyes biztonság

a. **Soha ne veszítse el éberségét, figyeljen oda arra, amit csinál, használja a józan eszét, ha elektromos szerszámmal dolgozik. Ne dolgozzon elektromos szerszámmal, ha fáradt, kábítószert vagy alkoholt fogyasztott, illetve gyógyszer hatása alatt áll.** Elektromos szerszám használata közben egy pillanatnyi figyelmetlenség is súlyos sérülést okozhat.

b. **Használjon egyéni védőfelszerelést. Mindig viseljen védőszemüveget.** A körülményeknek megfelelő védőfelszerelés - például a porálarc, a biztonsági csúszásmentes cipő, a védősisak vagy fülvédő - használata csökkenti a személyi sérülés kockázatát.

c. **Előzze meg a készülék nem szándékos beindítását. Ellenőrizze, hogy a szerszám kapcsolója a ki állásban van-e, mielőtt azt a hálózatra vagy akkumulátorra csatlakoztatja, illetve kézbe veszi a szerszámot.** Ha a szerszámot úgy cipeli, hogy az ujjja a kapcsolón van, ill. olyan szerszámot helyez áram alá, amely be van kapcsolva, akkor azzal balesetet okozhat.

d. **Távolítsa el a beállításhoz használt kulcsot vagy csavarkulcsot, mielőtt bekapcsolja az elektromos szerszámot.** A forgó alkatrészhez rögzített csavarkulcs vagy kulcs személyi sérülést okozhat.

- e. **Ne nyúljon túlságosan messzire. Mindig szilárd felületen álljon, és ügyeljen, ne veszítse el az egyensúlyát.** Így jobban tudja uralni a szerszámot a váratlan helyzetekben is.
- f. **Öltözzön megfelelően. Ne viseljen laza ruházatot vagy ékszert. Haját, ruháját és kesztyűjét tartsa távol a mozgó alkatrészekről.** A laza öltözék, az ékszer vagy a hosszú haj beleakadhat a mozgó alkatrészekbe.
- g. **Ha az adott eszközhöz porelszívó vagy porgyűjtő is tartozik, akkor győződjön meg arról, hogy ezeket megfelelően csatlakoztatva, ill. ezek megfelelően működnek.** A por összegyűjtésével és elszívásával elkerülhetők/megelőzhetőek a porral összefüggő veszélyek.

#### 4. Elektromos szerszámok használata és karbantartása

- a. **Ne erőltesse túl az elektromos szerszámot. A célnak megfelelő elektromos szerszámot alkalmazza.** A megfelelő elektromos szerszámmal jobban és biztonságosabban dolgozhat, mert azt kifejezetten az adott feladatra tervezték.
- b. **Ne használja az elektromos szerszámot, ha a kapcsolóval nem lehet ki- és bekapcsolni.** A hibás kapcsolóval rendelkező elektromos szerszámok használata veszélyes, az ilyen készülékeket meg kell javíttatni.
- c. **Ne használja az elektromos szerszámot, ha a kapcsolóval nem lehet ki- és bekapcsolni.** Ezekkel a megelőző biztonsági intézkedésekkel csökkentheti a szerszám véletlen elindításának kockázatát.
- d. **A nem használt elektromos szerszámot tárolja olyan helyen, ahol a gyerekek nem érhetik el; ne engedje, hogy olyan személyek használják, akik a szerszám használatát és ezen utasításokat nem ismerik.** Gyakorlatlan felhasználó kezében az elektromos szerszám veszélyes lehet.
- e. **Fordítson gondot az elektromos szerszám karbantartására. Ellenőrizze a mozgó alkatrészek illeszkedését és hogy nem szorul-e valamelyik; ellenőrizze az alkatrészeket törésre és más olyan sérülésre, amelyek befolyásolhatják az elektromos eszköz működését. Ha a szerszám sérült, akkor a használat előtt javíttassa meg. A nem megfelelően**

karbantartott elektromos szerszámok számos balesetet okoztak.

- f. **A vágószerszámok mindig tiszták és élesek legyenek.** A megfelelően karbantartott éles vágószerszám kisebb valószínűséggel szorul be, és jobban kontrollálható.
- g. **Az elektromos szerszámot, tartozékokat és szerszámszárakat a használati utasításnak megfelelően használja, a munkakörülmények és az elvégzendő feladat figyelembe vételével.** Az elektromos szerszám rendeltetésétől eltérő használata veszélyhelyzetet teremthet.

#### 5. Szerviz

- a. **A szerszámot képzett szakemberrel javíttassa, és csak eredeti cserealkatrészeket használjon fel.** Ezzel biztosíthatja az elektromos kéziszerszám folyamatos biztonságos működését.

#### Az elektromos szerszámokra vonatkozó további speciális biztonsági utasítások



**Figyelmeztetés!** További biztonsági figyelmeztetések gyaluhoz

- ♦ **A szerszámot csak a szigetelt fogási felületeinél tartsa, ha azzal olyan műveletet végez, amelynél a tartozék rejtett kábeleket vagy a készülék saját kábelét vághatná el.** Élő vezetékkel való találkozás a készülék fém részzeit is élővé, vezetővé teszi, és így elektromos áramütés veszélyét jelenti a felhasználó számára.
- ♦ **Használjon szorítót vagy más praktikus módszert a munkadarab szilárd felülethez való rögzítéséhez és alátámasztásához.** Ha a munkadarabot saját testéhez szorítja, a rögzítés nem lesz megfelelő, és elveszítheti uralmát a szerszám fölött.
- ♦ **Várja meg, amíg a vágóél megáll, csak ezután tegye le a szerszámot.** A szabadon forgó vágóél beleakadhat a felületbe, a szerszám irányíthatatlanná válhat, és súlyos balesetet okozhat.
- ♦ **Tartsa élesen a vágóéleket.** A tompa vagy sérült vágóeszköz miatt a gyalu elfordulhat vagy megszorul. Mindig a szerszámhoz való, célnak megfelelő vágóeszközt alkalmazza.
- ♦ **Közvetlenül a szerszám használata után ne nyúljon a munkadarabhoz, illetve a vágószerszámhoz. Mindkettő felforrósodhat.**

- ◆ A munka megkezdése előtt távolítson el minden szöveget és egyéb fémeket a munkadarabokból.
- ◆ Mindig két kézzel, a mellékelt fogantyúknál fogva tartsa a szerszámot..
- ◆ Azonnal áramtalanítsa a hálózati tápkábelt, ha megsérül vagy ha elvágja.

**Figyelmeztetés!** A gyalulás során keletkező porok beleélegzése és a velük való érintkezés veszélyes lehet a kezelő és a közelben állók egészségére. Hordjon a porok és gőzök beleélegzésének megakadályozására tervezett pormaszkot és győződjön meg arról, hogy a munkaterületre belépők is viselnek megfelelő védelmet.

- ◆ A készüléket korlátozott fizikai, érzékszervi és mentális képességekkel rendelkező vagy gyakorlatlan személyek (beleértve a gyermekeket is) nem használhatják; kivétel, ha számukra a szerszám használatához a biztonságukért felelős személy felügyeletet és tájékoztatást biztosít számukra. A gyermekeket felügyelni kell; meg kell akadályozni, hogy a szerszámmal játsszanak.
- ◆ A szerszám rendeltetészerű használatát ebben a kézikönyvben ismertetjük. A kézikönyvben nem ajánlott tartozék vagy felszerelés használata, illetve itt nem szereplő műveletek végzése személyes sérülés és/vagy dologi kár kockázatával jár.

## Mások biztonsága

- ◆ A készüléket korlátozott fizikai, érzékszervi, mentális képességekkel rendelkező vagy gyakorlatlan személyek (beleértve a gyermekeket is) nem használhatják; kivétel, ha számukra a szerszám használatához a biztonságukért felelős személy felügyeletet és tájékoztatást biztosít számukra.
- ◆ A gyermekeket felügyelni kell; meg kell akadályozni, hogy a szerszámmal játsszanak.

## Vibráció

A műszaki adatlapon és a megfelelőségi nyilatkozatban feltüntetett vibrációs kibocsátási értékeket az EN 60745 szabványnak megfelelően határoztuk meg; az felhasználható a különböző szerszámok értékeinek összehasonlítására. A deklarált vibrációs kibocsátási érték az előzetes kockázatelemzéshez is felhasználható.

**Figyelmeztetés!** A tényleges vibrációs kibocsátási érték az elektromos szerszám használata során különbözhet a deklarált értéktől attól függően, hogyan használják a szerszámot. A vibrációs értékek az itt feltüntetett szint fölé is emelkedhetnek.

A 2002/44/EK által a géppel rendszeresen dolgozók számára megkövetelt szükséges biztonsági intézkedések meghatározásához végzett vibrációs kitettség kiértékelése során a kitettség kiértékelésénél figyelembe kell venni a tényleges használat körülményeit, illetve azt, hogy a szerszámot hogyan használják, ideértve a munkafolyamat minden egyes részét, pl. azokat az időszakokat is, amikor a szerszám ki van kapcsolva vagy üresen fut a napi kitettséget jelentő idő mellett.

## Címkék a szerszámon

A szerszámon a következő piktogramok találhatóak:



**Figyelmeztetés!** A sérülések kockázatának csökkentése érdekében a felhasználó köteles elolvasni a használati utasítást.

## Elektromos biztonság



A szerszám kettős szigeteléssel rendelkezik; ezért nincs szükség földelő vezetékre. Mindig ellenőrizze, hogy a szerszám adattábláján megadott feszültség egyezik-e a hálózati feszültséggel.

- ◆ Ha a hálózati kábel sérült, azonnal cseréltesse le egy Black & Decker szakszervizben.

## Jellemzők

A készülék a következő részekkel rendelkezik:

1. Főkapcsoló
2. Reteszelő gomb
3. Forgáskidobó nyílás
4. Gyalulási mélység beállítógombja
5. Gyalulási mélység fokbeosztásos skála

## Összeszerelés

**Figyelmeztetés!** Összeszerelés előtt ellenőrizze, hogy a szerszám ki van-e kapcsolva, és ki van-e húzva a konnektorból.

## A vágóél cseréje (A ábra)

A szerszámhoz mellékelt vágóél megfordítható. Az új vágóél beszerezhető a helyi kiskereskedőnél.

## Eltávolítás

- ◆ A mellékelt villáskulccsal lazítsa meg a csavarokat (6).
- ◆ Csúsztassa ki a vágóélt (7) a tartóból.
- ◆ Fordítsa meg a vágóélt, így annak nem használt oldala megfelelő helyzetbe kerül. Ha a vágóél mindkét oldala elkopott, ki kell cserélni.



**Felszerelés**

- ◆ Csúsztassa a vágóélt ütközésig a tartóba.
- ◆ A mellékelt villáskulccsal húzza meg a csavarokat.

**Figyelmeztetés!** Mindkét vágószerszámot egyszerre cserélje.

**Vágási mélység beállítása (B ábra)**

A beállított vágási mélységet a nyíl (8) jelzi. A beállítás a skáláról (5) olvasható le.

- ◆ Forgassa a vágási mélység beállítógombját (4) a kívánt mélység jelzésére.
- ◆ Ha nem használja a szerszámot, fordítsa a gombot a 'P' állásba.

**KW712KA: A párhuzamvezető le- és felszerelése (C ábra)**

A párhuzamvezetőt a szerszám optimális irányítása érdekében használhatja túlzottan keskeny munkadaraboknál.

- ◆ Lazítsa meg a reteszelő gombot (9).
- ◆ Csúsztassa be a párhuzamvezetőt (11) a nyíláson (10).
- ◆ Csúsztassa a vezetőt a kívánt helyzetbe.
- ◆ Szorítsa meg a gombot.
- ◆ A vezető leszerelésénél ugyanezen lépéseket fordított sorrendben hajtsa végre.

**Porszívó csatlakoztatása a szerszámhoz (D ábra)**

A szerszám porszívóhoz vagy más porelszívóhoz való csatlakoztatásához adapter szükséges. Az illesztő csatlakozó a helyi Black & Decker kereskedésben beszerezhető.

- ◆ Csúsztassa az adaptert (12) a forgácskidobó nyílásba (3).
- ◆ Csatlakoztassa a porszívó csövét (13) az adapterhez.

**A forgácsgyűjtő zsák felszerelése (E ábra)**

A forgácsgyűjtő zsák különösen hasznos, ha szűk területen dolgozik.

Az első használat előtt össze kell szerelni a forgácsgyűjtő zsákat.

- ◆ Szerelje fel a drótkeretet (14) az összekötőlemezre (15) a csavarok (16) és alátétek (17) segítségével.
- ◆ Az ábra szerint húzza rá a szövetszákot (18) a vázszerkezetre. Ügyeljen, hogy a rugalmas szájadék (19) jól illeszkedjék az összekötőlemez (15) pereménél.
- ◆ Csúsztassa az összekötőlemezt a forgácskidobó nyílásra (3).

**Maradványkockázatok.**

A biztonsági figyelmeztetésekből ismertetett kockázatok mellett más kockázatok is jellemezhetik a szerszám használatát. Ezek a kockázatok a szerszám rendeltetésétől eltérő, illetve huzamos használatából stb. adódhatnak.

A vonatkozó biztonsági előírások alkalmazása és a védőeszközök használata ellenére bizonyos kockázatok (ún. maradványkockázatok) nem lehet kizárni. Ezek például a következők:

- ◆ **A forgó/mozgó alkatrészek érintése által okozott sérülés.**
- ◆ **Az alkatrészek, vágólapok, tartozékok cseréje által okozott sérülés.**
- ◆ **A szerszám huzamos használata által okozott egészségkárosodás. Ha valamely szerszámot huzamosabb ideig használ, akkor tartson rendszeresen szüneteket a munkában.**
- ◆ **Halláskárosodás.**
- ◆ **A fűrészpör belégzése miatti egészségkárosodás, különös tekintettel a tölgy, bükk és rétegeltlemez anyagokra.**

**Használat**

**Figyelmeztetés!** Hagyja a szerszámot saját tempójában működni. Ne terhelje túl.

- ◆ Állítsa be a vágási mélységet.
- ◆ Ha szükséges, szerelje föl és állítsa be a párhuzamvezetőt.

**Ki- és bekapcsolás****Bekapcsolás**

- ◆ Tartsa lenyomva a reteszelő gombot (2), és nyomja meg a főkapcsolót (1).
- ◆ Engedje el a biztonsági reteszelő gombot.

**Kikapcsolás**

- ◆ Engedje föl a főkapcsoló gombot.

**Gyalulás**

- ◆ Úgy tartsa a szerszámot, hogy a talp orr-része a munkadarabon nyugodjon.
- ◆ Kapcsolja be a szerszámot.
- ◆ Tolja folyamatosan előre a szerszámot a gyalulás (vágás) végrehajtásához.
- ◆ A gyalulás befejezése után kapcsolja ki a szerszámot.

**Csapozás (F ábra)**

- ◆ Szerelje föl és állítsa be a párhuzamvezetőt. (CSAK A KW712KA TÍPUSNÁL)
- ◆ A gyalulásnál leírtak szerint járjon el.

## Éles peremek legömbölyítése / leszélézése

A talp orr-részében lévő V alakú mélyedés segítségével 45 °-os szögben leszélézheti az éleket.

- ◆ Olyan szögben tartsa a szerszámot, hogy a munkadarab éle illeszkedjen a V alakú vágatba, és végezze el a levágó gyalulást.

## A forgácsgyűjtő zsák ürítése

A forgácsgyűjtő zsákot rendszeresen üríteni kell.

- ◆ A munka folytatása előtt húzza ki a zipzárat és rázza ki a zsákot.

## Javaslatok az optimális munkavégzéshez

- ◆ Mindig szálirányba mozgassa a szerszámot.
- ◆ Ha a fa száliránya egyenetlen vagy ha a munkadarab anyaga keményfa, úgy állítsa be a vágási mélységet, hogy egyszerre csak egy nagyon vékony réteget vágjon le, és többszöri gyalulással jusson el a kívánt mélységig.
- ◆ A szerszámot úgy tarthatja egyenes vonalban, hogy az indításkor az elejét nyomja le erősen, a vágás befejezésekor pedig a szerszám hátsó részét.

## Tartozékok

A szerszám teljesítménye függ a használt tartozékoktól. A Black & Decker és Piranha márkájú tartozékok megfelelnek a legmagasabb minőségi követelményeknek, és tervezésük során a szerszám teljesítményének javítása volt célunk. Ezen tartozékok felhasználásával a szerszámból a legtöbbet tudja kihozni.

A következő típusú vágóélek szerezhetők be a helyi kiskereskedőnél.

- Volfrámkarbid hegyű kétoldalas vágóél (cikkszám: X35007, párban szállítjuk)
- Gyorsacél kétoldalas vágóél (cikkszám: X24192-XJ11, párban szállítjuk)

## Karbantartás

Az Ön elektromos készülékét minimális karbantartás mellett hosszú távú használatra terveztük. A folyamatos kielégítő működés feltétele a megfelelő gondozás és rendszeres tisztítás.

**Figyelmeztetés!** Bárminemű karbantartás megkezdése előtt kapcsolja ki és áramtalanítsa a szerszámot.

- ◆ Puha kefével vagy száraz törlőkendővel rendszeresen tisztítsa meg a gép szellőzőnyílásait.
- ◆ Nedves ronggyal rendszeresen tisztítsa a burkolatot. Ne használjon súrolószert vagy oldószer alapú tisztítót.

## A hajtósíj cseréje (G ábra)

- ◆ Lazítsa meg a csavarokat (20), és vegye le a fedelet (21).
- ◆ Vegye le a régi hajtósíjat.
- ◆ Helyezze föl az új hajtósíjat (22) a síjtárcsákra. Először a nagy tárcsára (23), majd a kis tárcsára (24) tegye fel, közben pedig folyamatosan hajtsa is a síjat.
- ◆ Tegye vissza a fedelet, és húzza feszesre a csavarokat.

## Tápcsatlakozó dugasz cseréje (csak az Egyesült Királyságban és Írországbán)

Ha új tápcsatlakozó dugaszra van szükség:

- ◆ A régi dugaszt biztonságos módon semmisítse meg.
- ◆ A barna vezetékét kösse az új csatlakozódugó fázis csatlakozójához.
- ◆ A kék vezetékét csatlakoztassa a nulla érintkezőhöz.

**Figyelmeztetés!** A földelő csatlakozóhoz nem kell vezetékét kötnie. Kövesse a minőségi csatlakozóaljzathoz mellékelt szerelési utasítást. Ajánlott biztosíték: 5 A.

## A környezet védelme



Elkülönítve gyűjtendő. A termék nem kezelhető háztartási hulladékként.

Ha egy nap úgy véli, hogy az Ön Black & Decker szerszámát le kell cserélnie vagy arra a továbbiakban nincs szüksége, akkor azt a háztartási hulladékoktól elkülönítve selejtezze le. Gondoskodjék elkülönített kezeléséről.



A használt termékek és csomagolásuk elkülönített kezelése lehetővé teszi az anyagok újrafeldolgozását. Az újrafeldolgozott anyagok alkalmazása segít megelőzni a környezetszennyezést és csökkenti a nyersanyagszükségletet.

A helyi rendelkezések előírhatják az elektromos termékek háztartási hulladéktól elkülönített gyűjtését a helyi hulladékgyűjtő helyeken, illetve előírhatják, hogy a kereskedőnek kell gondoskodnia a termék visszavételéről új termék vásárlásakor.

A Black & Decker lehetőséget biztosít a Black & Decker termékek gyűjtésére és újrafeldolgozására, ha azok elérték élettartamuk végét. A szolgáltatás igénybevételéhez kérjük, vigye vissza a terméket bármely márkaszervizünkbe, ahol vállalatunk

képviselésében gondoskodnak annak elkülönített összegyűjtéséről.

Az Önhöz legközelebb eső hivatalos márkaszervizt a kézikönyvben megadott helyi Black & Decker képviselő segítségével érheti el. Alternatív megoldásként lásd a szerződött Black & Decker szervizek listáját, illetve az eladásutáni szolgáltatásaink elérhetőségének részletes ismertetését a következő internetes címen: **www.2helpU.com**

**Műszaki adatok**

**KW712/KW712KA TYPE2**

Bemeneti feszültség	Vváltakozó	230
Felvett teljesítmény	W	650
Üresjárat fordulatszám	min <sup>-1</sup>	17 000
Gyalulási szélesség	mm	82
Gyalulási mélység	mm	2
Szélezési mélység	mm	8
Súly	kg	3

**Vibrációs összérték (triax vektorösszeg) az EN 60745 szerint:**

Vibrációs kibocsátási érték ( $a_w$ ) 2,6 m/s<sup>2</sup>,  
toleranciafaktor (K) 1,5 m/s<sup>2</sup>

Hangnyomásszint az EN 60745 szerint:

Hangnyomás ( $L_{pA}$ ) 90 dB(A), toleranciafaktor (K) 3 dB(A), Hangerő ( $L_{WA}$ ) 105 dB(A), toleranciafaktor (K) 3 dB(A)

**CE megfeleléségi nyilatkozat**  
GÉPEK IRÁNYELV



KW712/KW712KA

A Black & Decker nyilatkozik arról, hogy a „Műszaki adatok” részben ismertetett termékek megfelelnek a következő irányelveknek és szabványoknak: 2006/42/EK, EN 60745-1, EN 60745-2-14

További információért forduljon a Black & Decker vállalathoz az alábbi címen, vagy a kézikönyv hátoldalán található elérhetőségeken.

Az aláírás tulajdonosa a műszaki adatok összeállításáért felelős személy; nyilatkozatát a Black & Decker vállalat nevében adja.

Kevin Hewitt  
Alelnök, Global Engineering  
Black & Decker Europe,  
210 Bath Road, Slough,  
Berkshire, SL1 3YD  
Egyesült Királyság  
17-02-2010

**Garancia határozat**

A Black & Decker elhivatott a termékei minősége iránt, és kiterjesztett garanciát kínál. Ez a garanciahatározat csak kiegészíti és semmi esetre sem befolyásolja hátrányosan az Ön törvényes jogait. A garancia az Európai Unió tagállamai területén, valamint az Európai Szabadkereskedelmi Társulás (EFTA) területén érvényes.

Ha egy Black & Decker termék anyaghiba, a kivitelezés módja vagy a megfelelés hiánya miatt meghibásodik, az eladás dátumától számított 24 hónapig a Black & Decker garanciát vállal a hibás alkatrészek cseréjére, a normál kopásnak kitett termékek javítására, illetve az ilyen termékek kicserélésére, hogy ügyfeleinek a lehető legkisebb kellemetlenséget okozza az alábbi feltételekkel:

- ◆ A terméket nem használták kereskedelmi, ipari alkalmazásokhoz, és nem adták bérbé;
- ◆ A terméket rendeltetésszerűen és körültekintően használták;
- ◆ A termék nem idegen tárgyaktól, szennyeződéstől vagy külső behatástól sérült meg;
- ◆ A termék javítására nem tett kísérletet olyan személy, aki nem tartozik a hivatalos szerviz vagy a Black & Decker szervizszemélyzet tagjai közé.

## MAGYAR

A garancia érvényesítéséhez az eladónak vagy a hivatalos szerviznek be kell nyújtani a vásárláskor kapott számlát. Ha igénybe veszi ezt a szolgáltatást, kérjük, juttassa el készülékét a legközelebbi Black & Decker szervizbe, melyekről a magyarországi képviselőnél érdeklődhet. A szervizzel kapcsolatosan a következő Internet oldalon is felvilágosítást kaphat: **[www.2helpU.com](http://www.2helpU.com)**.

A következő meghibásodások esetén a garancia kizárt:

- ◆ Elhasználódott, illetve károsodott kések, és a hálózati kábel. Azok az alkatrészek, amelyek a normál használat során elkopnak.
- ◆ Azok a meghibásodások, amelyek a szakszerűtlen kezelésből eredtek.
- ◆ Azok a hibák, amelyek a kezelési útmutató be nem tartásából eredtek.

**Kizárólag csak eredeti Black & Decker tartozékok és alkatrészek alkalmazhatók. Ellenkező esetben teljesítménycsökkenés léphet fel, és a gép elveszti a garanciát. Ha garanciális igénye van, feltétlen mellékelje a jótállási jegyet és a vásárlási okmányokat (számlát).**

## BLACK & DECKER GARANCIÁLIS FELTÉTELEK

Gratulálunk Önnek ennek az értékes Black & Decker készülék megvásárlásához. Azon termékeinkre, amelyet fogyasztói használat keretében háztartási, hobby célra vásárolnak **24 hónap jótállást biztosítunk**.

### A termék iparszerű használatra nem alkalmas!

A jótállás a fogyasztó törvényből eredő jogait nem érinti.

- 1) **Black & Decker** kötelezettséget vállal arra, hogy a garanciális javításokat a **49/2003. (VII. 30.) GKM** és a **151/2003 (IX.22.) sz. Korm. rend.** szerint végzi.
  - a) A fogyasztó jótállási igényét a jótállási jeggyel érvényesítheti, ezért azt őrizze meg.
  - b) Vásárláskor az eladónak a garanciakártyán fel kell tüntetnie a vásárlás időpontját, a termék típusát vagy termékkódját, a kereskedés nevét, címét pedig a jótállási jegyre rá kell bélyegezni. Ennek alapján szerez jogosultságot a vevő a garancia időn belüli ingyenes garanciális javításra.
  - c) Jótállási javítást csak érvényes jótállási jegy alapján végezhetnek a kijelölt szervizek.
  - d) A jótállási jegyen történt bármilyen javítás, törlés vagy átírás, valótlan adatok bejegyzése, a jótállási jegy érvénytelenségét vonja maga után.
  - e) Elvesztett jótállási jegyet csak a vásárlási számla felmutatásával, térítés ellenében tudunk pótolni!
  - f) A jótállási jegy szabálytalan kiállítása vagy a fogyasztó részére történő átadásának elmaradása nem érinti a jótállási kötelezettségvállalás érvényességét.
- 2) **Nem terjed ki a garancia:**
- a) Ha a hiba rendeltetésellenes használat, átalakítás, szakszerűtlen kezelés, helytelen tárolás, elemi kár vagy egyéb, vásárlás után keletkezett okból következett be. *(A rendeltetéssel ellentétes használat elkerülése céljából a termékhez magyar nyelvű vásárlói tájékoztatót mellékelünk és kérjük, hogy az abban foglaltakat saját érdekében tartsa be!)*
  - b) Az olyan károsodásokra, amelyek a szerszámok iparszerű (professzionális), közületi, valamint kölcsönzési felhasználása miatt keletkeztek.
  - c) Azon alkatrészekre, amelyeknél a meghibásodás garanciaidőn belül a helyes kezelés, karbantartás szerinti rendeltetészerű üzemeltetés mellett az alkatrészek természetes elhasználódása, kopása következtében állt elő. *(ezek a következők: megmunkáló szerszámok pl. vágószerszám, fűrészlánc, fűrészlap, gyalukés stb. továbbá: meghajtószíj, csapágó, szénkefe, csillagkerék kpl.)*
  - d) A készülék túlterhelése miatt jelentkező hibákra, amelyek a hajtómű meghibásodásához, vagy egyéb ebből adódó károkhoz vezetnek.
  - e) A termék nem hivatalos szervizben történt javításából eredő hibákra.
  - f) Az olyan károsodásokra, amelyek nem eredeti Black & Decker kiegészítő készülékek és tartozékok használatából adódnak.

- 3) **A fogyasztó** a kijavítás iránti igényét a forgalmazónál, illetve a jótállási jegyen feltüntetett javítószolgálatnál érvényesítheti.
  - Meghosszabbodik a jótállási idő a kijavítási idő azon részével, amely alatt a fogyasztó a terméket nem tudta rendeltetészerűen használni.
  - A jótállási és szavatossági jogok érvényesíthetőségének határidején belül a termékek vagy jelentősebb részének kicserélése (kijavítása) esetén a kicserélt (kijavított) termékre (termékrészre) 12 hónap jótállást biztosítunk. Ezek a következők: motor illetve állórész, forgórész, elektronika.
  - Ha a fogyasztási cikk a vásárlástól (üzembe helyezéstől) számított három munkanapon belül meghibásodik, a fogyasztó kérheti annak kicserélését feltéve, hogy a meghibásodás a rendeltetészerű használatot akadályozza. A Black & Decker Hungary Kft. a meghibásodás okának feltárása céljából fenntartja a jogot a hibás termék bevizsgálására. Amennyiben a reklamáció alkalmával a meghibásodás garanciális voltáról nem nyilatkozunk, úgy 72 órán belül kell értesítenünk a vásárlót a reklamáció intézésének módjáról. Ha a csere nem lenne lehetséges, műszakilag hasonló készülék kerül felajánlásra, vagy visszafizethető a vételár.

Amennyiben a hiba keletkezése, ténye, jellege, (pl. rendeltetésellenes használat, stb.) miatt vita merül fel, a Fogyasztó szakvéleményt kérhet a Fogyasztóvédelmi Főfelügyelőségtől. A szakvélemény térítésmentes és nem kötelező érvényű a Forgalmazó számára.

- 4) **Garanciális javítás esetén** a szerviznek a garanciakártyán az alábbi adatokat kell feltüntetnie:
  - a garanciális igény bejelentésének dátumát,
  - a hiba rövid leírását,
  - a javítás módját és időtartamát,
  - a készülék visszaadásának időpontját,
  - javítás időtartamával meghosszabbított új garanciaidőt.
- 5) **Arra törekszünk, hogy szervizhálózatunkon** keresztül kiváló javítószolgálatat, zökkenőmentes alkatrészellátást, és széles tartozékpallettát biztosítsunk.
- 6) **A fogyasztót a Polgári Törvénykönyvről szóló 1959. évi IV. törvény 306-310. §-ában, valamint a 49/2003. (VII. 30.) GKM** rendeletben meghatározott jogok illetik meg.

### Gyártó:

Black & Decker GmbH  
D – 65510 Idstein/Ts  
Black & Decker str. 40.

### Importőr:

Black & Decker Hungary Kft.  
1016 Budapest  
Galeotti u. 5.

## Przeznaczenie

Strug elektryczny Black & Decker został zaprojektowany do strugania drewna, elementów drewnopochodnych i tworzyw sztucznych. Narzędzie jest przeznaczone do obsługi ręcznej. Opisywane urządzenie przeznaczone jest wyłącznie do użytku amatorskiego.

## Zasady bezpiecznej pracy

### Ogólne wskazówki dotyczące bezpiecznej pracy elektronarzędziami



**Uwaga! Należy zapoznać się ze wszystkimi ostrzeżeniami dotyczącymi bezpiecznej pracy oraz z instrukcją obsługi.** Nie stosowanie się do ostrzeżeń i zaleceń zawartych w tej instrukcji obsługi, może być przyczyną porażenia prądem elektrycznym, pożaru i/lub poważnego zranienia.

Zachowaj wszystkie instrukcje i informacje dotyczące bezpiecznej pracy, aby móc korzystać z nich w przyszłości. Pojęcie "elektronarzędzie" używane w niniejszej instrukcji, oznacza narzędzie zasilane z sieci elektrycznej (przewodem zasilającym) lub akumulatorami (bezprowodowe).

#### 1. Bezpieczeństwo w miejscu pracy

- a. **Miejsce pracy musi być czyste i dobrze oświetlone.** Miejsca ciemne i takie, w których panuje nieporządek stwarzają ryzyko wypadku.
- b. **Nie wolno używać elektronarzędzi w strefach zagrożenia wybuchem, w pobliżu palnych cieczy gazów czy pyłów.** Elektronarzędzia mogą wytworzyć iskry powodujące zapłon pyłów lub oparów.
- c. **W czasie pracy elektronarzędziami nie pozwalaj na przebywanie w pobliżu dzieci i innych osób postronnych.** Chwila nieuwagi może spowodować utratę kontroli nad narzędziem.


#### 2. Bezpieczna praca z elektrycznością

- a. **Gniazdo musi być dostosowane do wtyczki elektronarzędzia. Nie wolno przerabiać wtyczek. Nie używaj żadnych łączników elektrycznych z uziemionymi elektronarzędziami.** Nie przerabiane wtyczki i odpowiednie gniazda zmniejszają ryzyko porażenia prądem elektrycznym.
- b. **Należy unikać bezpośredniej styczności z uziemionymi lub zerowanymi powierzchniami, takimi jak rurociągi,**

**grzejniki, kuchenki i lodówki.** Ryzyko porażenia prądem elektrycznym wzrasta, jeśli twoje ciało jest zerowane lub uziemione.

- c. **Nie narażaj elektronarzędzi na działanie deszczu lub zwiększonej wilgotności.** Dostanie się wody do wnętrza elektronarzędzia zwiększa ryzyko porażenia prądem elektrycznym.
  - d. **Nie wolno ciągnąć za przewód zasilający. Nie wolno ciągnąć, podnosić ani wyciągać wtyczki z gniazda, poprzez ciągnięcie za przewód zasilający narzędzia. Chroń przewód zasilający przed kontaktem z gorącymi elementami, olejami, ostrymi krawędziami i ruchomymi częściami.** Uszkodzenie lub zaplątanie przewodu zasilającego zwiększa ryzyko porażenia prądem elektrycznym.
  - e. **W czasie pracy elektronarzędziem poza pomieszczeniami zamkniętymi, należy używać przystosowanych do tego przedłużaczy.** Korzystanie z przedłużaczy przystosowanych do użycia na dworze, zmniejsza ryzyko porażenia prądem.
  - f. **Jeśli zachodzi konieczność używania narzędzia w wilgotnym otoczeniu, należy używać źródła zasilania zabezpieczonego wyłącznikiem różnicowoprądowym.** Stosowanie wyłączników różnicowoprądowych zmniejsza ryzyko porażenia prądem elektrycznym.
- #### 3. Bezpieczeństwo osobiste
- a. **W czasie pracy elektronarzędziem zachowaj czujność, patrz uważnie i kieruj się zdrowym rozsądkiem. Nie używaj elektronarzędzi, jeżeli jesteś zmęczony, pod wpływem narkotyków, alkoholu czy leków.** Nawet chwila nieuwagi, w czasie pracy elektronarzędziem, może doprowadzić do poważnego uszkodzenia ciała.
  - b. **Używaj środków ochrony osobistej. Zawsze zakładaj okulary ochronne.** Używanie, w miarę potrzeb, środków ochrony osobistej, takich jak maska przeciwpyłowa, buty ochronne z antypoślizgową podeszwą, kask czy ochrona słuchu, zmniejsza ryzyko odniesienia uszczerbku na zdrowiu.
  - c. **Zapobiegaj przypadkowemu włączeniu. Przed przyłączeniem do zasilania i/lub włożeniem akumulatorów oraz przed podniesieniem i przenoszeniem narzędzia, należy upewnić się, że wyłącznik znajduje**



- się w pozycji „wyłączone“. Trzymanie palca na wyłączniku podczas przenoszenia lub włączania narzędzia, łatwo staje się przyczyną wypadków.
- d. **Przed włączeniem elektronarzędzia, usuń wszystkie klucze i narzędzia do regulacji.** Pozostawienie klucza lub narzędzia do regulacji połączonego z częściami wirującymi elektronarzędzia może spowodować uszkodzenie ciała.
  - e. **Nie wychylaj się. Nie wychylaj się i przyjmij stabilną pozycję, aby zawsze zachowywać równowagę.** Pozwala to na lepszą kontrolę pracy urządzenia w nieprzewidzianych okolicznościach.
  - f. **Założ odpowiedni strój. Nie noś luźnych ubrań ani biżuterii. Trzymaj włosy, ubranie i rękawice z dala od ruchomych elementów.** Luźne ubranie, biżuteria lub długie włosy mogą zostać pochwycone przez ruchome części.
  - g. **Jeśli sprzęt jest przystosowany do przyłączenia urządzeń odprowadzających i zbierających pył, upewnij się, czy są one przyłączone i właściwie użytkowane.** Używanie takich urządzeń zmniejsza zagrożenia związane z obecnością pyłów.
4. **Obsługa i konserwacja elektronarzędzi**
    - a. **Nie wolno przeciążać elektronarzędzi. Używaj elektronarzędzi odpowiednich do rodzaju wykonywanej pracy.** Dzięki odpowiednim elektronarzędziom wykonasz pracę lepiej i w sposób bezpieczny, w tempie, do jakiego narzędzie zostało zaprojektowane.
    - b. **Nie wolno używać elektronarzędzia z zepsutym wyłącznikiem, który nie pozwala na sprawne włączanie i wyłączanie.** Elektronarzędzie, którego pracy nie można kontrolować wyłącznikiem, jest niebezpieczne i musi zostać naprawione.
    - c. **Przed przystąpieniem do regulacji, wymiany akcesoriów oraz przed schowaniem elektronarzędzia, należy odłączyć wtyczkę od źródła zasilania i/ lub odłączyć akumulator od urządzenia.** Stosowanie takich środków zapobiegawczych zwiększa bezpieczeństwo i zmniejsza ryzyko przypadkowego uruchomienia elektronarzędzia.
    - d. **Nie używane elektronarzędzie przechowuj poza zasięgiem dzieci i nie dopuszczaj osób nie znających elektronarzędzia lub tej instrukcji do posługiwania się elektronarzędziem.** Elektronarzędzia obsługiwane przez osoby nieprzygotowane stanowią zagrożenie.
  - e. **Regularnie dokonuj konserwacji elektronarzędzi. Sprawdź, czy ruchome części są właściwie połączone i zamocowane, czy części nie są uszkodzone oraz skontroluj wszelkie inne elementy mogące mieć wpływ na pracę elektronarzędzia. Wszystkie uszkodzenia należy naprawić przed rozpoczęciem użytkowania.** Wiele wypadków spowodowanych jest przez niedostateczną konserwację elektronarzędzi.
  - f. **Dbaj o czystość narzędzi i ostrość elementów tnących.** Zadbane narzędzia tnące, z ostrymi krawędziami tnącymi, rzadziej się zacinają i są łatwiejsze w prowadzeniu.
  - g. **Elektronarzędzi, akcesoriów i końcówek itp., należy używać zgodnie z instrukcją obsługi, uwzględniając warunki i rodzaj wykonywanej pracy.** Użycie elektronarzędzi niezgodnie z przeznaczeniem może być bardzo niebezpieczne.
5. **Serwis**
    - a. **Powierzaj naprawy elektronarzędzi wyłącznie osobom wykwalifikowanym, używającym identycznych części zamiennych.** Zapewni to bezpieczeństwo użytkowania naprawionego urządzenia.
- Bezpieczne użytkowanie elektronarzędzi - wskazówki dodatkowe**
-  **Uwaga!** Dodatkowe wskazówki dotyczące bezpiecznemu użytkowaniu strugów elektrycznych.
- ◆ **W przypadku prac, w czasie których może dojść do przecięcia własnego lub ukrytych przewodów, należy trzymać urządzenie wyłącznie za izolowane uchwyty.** Przecięcie przewodu z prądem może spowodować pojawienie się napięcia na metalowych częściach obudowy i porażenie prądem operatora.
  - ◆ **Obrabiany element należy zamocować do blatu roboczego za pomocą zacisków lub innych praktycznych uchwytów.** Trzymanie obrabianego elementu w rękach lub oparcie go o ciało nie daje dostatecznej stabilizacji i może spowodować utratę kontroli nad narzędziem.
  - ◆ **Przed opuszczeniem narzędzia odczekać do zatrzymania się struga.** W kontakcie

z powierzchnią, nieosłonięte ostrze tnące może doprowadzić do utraty kontroli i poważnych obrażeń ciała.

- ◆ **Brzeszczoty muszą być naostrzone.** Stępione lub uszkodzone ostrza mogą powodować skręcanie lub przeciążenie struga elektrycznego pod naciskiem. Zawsze stosować odpowiedni rodzaj ostrza do danego elektronarzędzia.
- ◆ Nie dotykaj obrabianego elementu lub ostrza zaraz po przerwaniu pracy urządzenia. Mogą one być bardzo gorące.
- ◆ Przed rozpoczęciem strugania usunąć z obrabianego elementu wszystkie gwoździe i metalowe obiekty.
- ◆ Zawsze przytrzymuj narzędzie oburącz za uchwyty narzędzia.
- ◆ W przypadku przecięcia przewodu zasilania należy go natychmiast odłączyć od prądu.

**Uwaga!** Kontakt lub wdychanie pyłu wytwarzanego podczas strugania może być niebezpieczne dla zdrowia operatora i możliwych osób postronnych. Używać respiratora zaprojektowanego specjalnie do ochrony przed pyłem i oparami i upewni się, że osoby postronne w obszarze pracy także są chronione.

- ◆ Opisywane urządzenie nie jest przeznaczone do użycia przez osoby o obniżonych możliwościach fizycznych, ruchowych lub umysłowych (także dzieci) lub o zbyt małej wiedzy i doświadczeniu, jeśli nie zostały one przeszkolone lub nie pozostają pod opieką osoby odpowiedzialnej za ich bezpieczeństwo. Należy pilnować dzieci, aby nie bawiły się urządzeniem.
- ◆ Przeznaczenie urządzenia opisane jest w niniejszej instrukcji obsługi. Używanie jakichkolwiek akcesoriów lub wykonywanie prac sprzecznych z przeznaczeniem opisywanym w instrukcji obsługi, może powodować niebezpieczeństwo uszkodzenia ciała i/lub uszkodzenia mienia.

### Bezpieczeństwo osób postronnych

- ◆ Opisywane urządzenie nie jest przeznaczone do użycia przez osoby o obniżonych możliwościach fizycznych, ruchowych lub umysłowych (także dzieci) lub o zbyt małej wiedzy i doświadczeniu, jeśli nie zostały one przeszkolone lub nie pozostają pod opieką osoby odpowiedzialnej za ich bezpieczeństwo.
- ◆ Należy pilnować dzieci, aby nie bawiły się urządzeniem.

### Drgania

Podawana w tabeli danych technicznych oraz w deklaracji zgodności z normami wartość drgań (wibracji), została zmierzona zgodnie ze standardową procedurą zawartą w normie EN 60745. Informacja ta może służyć do porównywania tego narzędzia z innymi. Deklarowana wartość emitowanych drgań może również służyć do przewidywania stopnia narażenia użytkownika na wibracje.

**Uwaga!** Chwilowa siła drgań, występująca w czasie pracy elektronarzędziem, może odbiegać od podawanych wartości, w zależności od sposobu użytkowania urządzenia. Poziom wibracji może przekroczyć podawaną wartość.

Przy określaniu ekspozycji na wibracje, w celu podjęcia środków ochrony osób zawodowo użytkujących elektronarzędzia zgodnie, z normą 2002/44/EC, należy uwzględnić rzeczywiste warunki i rodzaj wykonywanej pracy. Także okresy przestoju i pracy bez obciążenia.

### Symbole na urządzeniu

Na obudowie narzędzia umieszczono następujące piktogramy:



**Uwaga!** Aby zminimalizować ryzyko zranienia, użytkownik musi zapoznać się z instrukcją obsługi.

### Ochrona przed porażeniem prądem elektrycznym



To narzędzie ma podwójną izolację, dlatego też przewód uziemiający nie jest potrzebny. Zawsze sprawdzaj, czy napięcie zasilania jest zgodne z wartością podaną na tabliczce znamionowej.

- ◆ Ze względów bezpieczeństwa wymianę uszkodzonego przewodu zasilającego należy powierzyć producentowi lub autoryzowanemu centrum serwisowemu Black & Decker.

### Wyposażenie

Opisywane narzędzie wyposażone jest w kilka lub wszystkie z poniższych elementów.

1. Wyłącznik
2. Przycisk blokady wyłącznika
3. Otwór wylotowy na wióry
4. Pokrętko regulacji strugania
5. Stopniowanie głębokości strugania

### Montaż

**Uwaga!** Przed rozpoczęciem montażu upewnić się, czy narzędzie jest wyłączone i wtyczka zasilania jest odłączona.



### Wymiana ostrza tnącego (Rys. A)

Ostrza tnące, w które wyposażone zostało to urządzenie, umożliwiają ich obrót. Wymienne ostrza tnące są dostępne u lokalnego dystrybutora.

#### Demontaż

- ◆ Poluzuj śruby (6) za pomocą dołączonego klucza.
- ◆ Wysuń ostrze (7) z uchwytu.
- ◆ Obróć ostrze tak, aby ustawić w położeniu roboczym krawędź nie zużyta. Jeżeli obie krawędzie są zużyte, konieczna jest wymiana ostrza.

#### Montaż

- ◆ Wsuń ostrze w uchwyt i wciśnij do wycucia oporu.
- ◆ Dokręć śruby za pomocą dołączonego klucza.

**Uwaga!** Każdorazowo wymieniaj oba ostrza.

### Regulacja głębokości strugania (rys. B)

Głębokość ostrza jest wskazywana przez znak (8). Zakres ustawienia może zostać odczytany ze skali (5).

- ◆ Przekręć pokrętko regulacji głębokości strugania (4) do ustawienia odpowiedniej głębokości pracy.
- ◆ Ustaw pokrętko w położeniu „P” jeżeli narzędzie nie jest eksploatowane.

### KW712KA Zakładanie i zdejmowanie przewodnicy (rys. C)

Prowadnica jest pomocna w optymalnym sterowaniu narzędzia na małych elementach.

- ◆ Odkręć pokrętko blokujące (9).
- ◆ Wprowadź przewodnicę (11) przez otwór (10).
- ◆ Ustaw przewodnicę w żądanej pozycji.
- ◆ Dokręć pokrętko blokujące.
- ◆ W celu zdemontowania przewodnicy przeprowadź powyższą procedurę w odwrotnej kolejności.

### Podłączanie odkurzacza do narzędzia (Rys. D)

Do podłączenia odkurzacza do odciągu pyłu konieczna jest końcówka połączeniowa. Końcówka odciągu pyłu jest dostępna u lokalnego sprzedawcy Black & Decker.

- ◆ Wciśnij końcówkę (12) do wylotu odciągu pyłu (3).
- ◆ Podłącz wąż odkurzacza (13) do końcówki.

### Montaż i zakładanie worka na wióry (rys. E)

Worek na wióry jest szczególnie przydatny podczas pracy w pomieszczeniach zamkniętych.

Przed pierwszym zastosowaniem konieczne jest zmontowanie worka.

- ◆ Zamocuj stelaż (14) do płytki mocującej (15) wykorzystując śruby (16) oraz podkładki (17).
- ◆ Naciągnij worek (18) na tą konstrukcję zgodnie z ilustracją. Upewnij się, że elastyczna opaska (19) jest prawidłowo zamocowana wokół krawędzi płytki łączącej (15).
- ◆ Wciśnij płytkę łączącą do wylotu odciągu wiórów (3).

### Pozostałe zagrożenia.

W czasie pracy elektronarzędziem mogą powstać zagrożenia, które nie zostały uwzględnione w załączonej instrukcji dotyczącej bezpiecznego użytkowania. Zagrożenia te mogą wynikać z niewłaściwego użytkowania, zbyt intensywnej eksploatacji lub innych przyczyn. Nawet w przypadku przestrzegania zasad bezpiecznej pracy i stosowania środków ochronnych, nie jest możliwe uniknięcie pewnych zagrożeń. Należą do nich:

- ◆ **Zranienia wynikające z dotknięcia wirujących / ruchomych elementów.**
- ◆ **Zranienia w czasie wymiany części, ostrzy lub akcesoriów.**
- ◆ **Zranienia związane ze zbyt długotrwałym używaniem narzędzia. Pracując przez dłuższy czas, należy robić regularne przerwy.**
- ◆ **Ryzyko uszkodzenia słuchu.**
- ◆ **Zagrożenie dla zdrowia spowodowane wdychaniem pyłu wytwarzanego podczas użytkowania urządzenia (np.: podczas pracy w drewnie, szczególnie dębowym, bukowym oraz MDF).**

### Eksploatacja

**Uwaga!** Uwzględnij tempo pracy urządzenia. Nie przeciążaj narzędzia.

- ◆ Wyreguluj głębokość strugania.
- ◆ W razie konieczności zamontuj przewodnicę.

### Włączanie i wyłączanie

#### Włączanie

- ◆ Wciskając przycisk blokady wyłącznika (2) naciśnij przełącznik uruchamiania (1).
- ◆ Zwolnij przycisk blokowania.

#### Wyłączanie

- ◆ Zwolnij przełącznik uruchamiania.

### Struganie

- ◆ Przytrzymując narzędzie za część przednią przyłóż go do powierzchni obrabianego elementu.

- ◆ Włącz urządzenie.
- ◆ W celu wykonania przesuwu roboczego przesunąć narzędzie równomiernie do przodu.
- ◆ Po wykonaniu przesuwu roboczego wyłączyć narzędzie.

### Obróbka profili (rys. F)

- ◆ Zamontuj prowadnicę. (TYLKO KW712KA)
- ◆ Postępuj jak w przypadku strugania.

### Obróbka krawędzi

Rowek klinowy w przedniej części stopy umożliwia obróbkę krawędzi pod kątem 45°.

- ◆ Po ustawieniu narzędzia pod kątem w rowku, wykonaj przesuw roboczy.

### Opróżnianie worka na wióry

W trakcie eksploatacji urządzenia należy regularnie opróżniać worek z wiórów.

- ◆ Otwórz worek i opróżnij go przed przystąpieniem do dalszej pracy.

### Wskazówki praktyczne

- ◆ Przesuwaj narzędzie wzdłuż stojów drewna.
- ◆ Jeżeli stoje są nieregularne lub obrabiane drewno jest bardzo twarde, dostosuj głębokość strugania tak, aby przy każdym przesuwie roboczym zbierana była bardzo cienka warstwa materiału, a osiągnięcie ostatecznego rezultatu będzie możliwe po wykonaniu wielu przesuwów roboczych.
- ◆ W celu utrzymania narzędzia w ruchu prostoliniowym, dociśnij przednią część narzędzia na początku przesuwu, a tylną część kończąc ruch.

### Akcesoria

Wydajność narzędzia zależy od użytego osprzętu. Osprzęt Black & Decker i Piranha został wykonany z zachowaniem wysokich standardów jakości i zaprojektowany tak, aby podnieść wydajność narzędzia. Używając tych akcesoriów maksymalnie wykorzystasz możliwości swojego narzędzia.

Ostrza tnące poniższych typów są dostępne u lokalnego dystrybutora.

- Dwustronne ostrza tnące z krawędzią z węglików spiekanych (nr. X35007, dostarczane w parach)
- Dwustronne ostrza tnące z krawędzią ze stali narzędziowej (nr. X24192-XJ11, dostarczane w parach)

### Konserwacja

Narzędzia zostały zaprojektowane tak, aby zapewnić długoletnią, prawie bezobsługową, pracę

urządzenia. Aby długo cieszyć się właściwą pracą urządzenia, należy odpowiednio z nim postępować i regularnie je czyścić.

**Uwaga!** Przed wykonywaniem jakichkolwiek czynności konserwacyjnych wyłączyć narzędzie i wyjąć wtyczkę z gniazda.

- ◆ Okresowo czyść otwory wentylacyjne narzędzia za pomocą miękkiej szczoteczki lub suchej ściereczki.
- ◆ Regularnie czyść obudowę silnika wilgotną ściereczką. Nie używaj ściernych lub rozpuszczających środków czyszczących.

### Wymiana paska napędu (rys. G)

- ◆ Poluzuj śruby (20) oraz zdejmij osłonę (21).
- ◆ Zdejmij stary pasek napędowy.
- ◆ Załóż nowy pasek (22) na rolki. Najpierw załóż pasek na dużą rolkę (23), a następnie na małą rolkę (24), obracając przy tym ręką pasek.
- ◆ Ponownie załóż osłonę i dokręć śruby.

### Wymiana wtyczki sieciowej (dotyczy tylko Wielkiej Brytanii i Irlandii)

Jeśli występuje konieczność montażu nowej wtyczki:

- ◆ Odpowiednio zutylizuj starą wtyczkę.
- ◆ Przyłącz brązowy przewód do zacisku fazy w nowej wtyczce.
- ◆ Przyłącz niebieski przewód do zacisku zerowego.

**Uwaga!** Nie wykonuje się przyłączenia do końcówki uziemienia. Wykonaj instrukcje instalacji dołączone do wtyczek wysokiej jakości. Zalecany bezpiecznik: 5 A.

### Ochrona środowiska



Selektywna zbiórka odpadów. Opisywanego produktu nie wolno utylizować razem ze zwykłymi śmieciami z gospodarstw domowych.

Gdy okaże się, że konieczna jest wymiana posiadanego narzędzia Black & Decker lub nie będzie się go więcej używać, nie należy wyrzucać go razem ze śmieciami z gospodarstwa domowego. Należy przekazać produkt do punktu selektywnej zbiórki odpadów.



Selektywna zbiórka zużytych produktów i opakowań pozwala na powtórne wykorzystanie użytych materiałów. Powtórne użycie materiałów pomaga chronić środowisko naturalne przed zanieczyszczeniem i zmniejsza zapotrzebowanie na surowce.

Lokalne prawodawstwo może zapewniać możliwość selektywnej zbiórki zużytych sprzętów elektrycznych, poprzez pozostawienie ich w punktach na miejskich wysypiskach śmieci lub u sprzedawcy, przy zakupie nowego sprzętu.

Black & Decker zapewnia możliwość zbiórki i recyklingu swoich produktów po zakończeniu okresu eksploatacji. Aby skorzystać z tej możliwości, prosimy zwrócić się do jednego z Autoryzowanych Przedstawicieli Serwisowych, który odbierze je od Państwa w naszym imieniu.

Adres najbliższego autoryzowanego przedstawiciela serwisowego otrzymają Państwo kontaktując się z miejscowym biurem Black & Decker, którego adres podany jest w niniejszej instrukcji obsługi. Lista autoryzowanych przedstawicieli serwisowych oraz informacje na temat naszego serwisu posprzedażnego dostępne są również na stronie internetowej: [www.2helpU.com](http://www.2helpU.com)

#### Dane techniczne

		KW712/KW712KA TYPE2
Napięcie zasilania	$V_{AC}$	230
Moc elektryczna	W	650
Prędkość bez obciążenia	$\text{min}^{-1}$	17 000
Szerokość strugania	mm	82
Głębokość strugania	mm	2
Głębokość obróbki profili	mm	8
Waga	kg	3

#### Sumaryczna wielkość drgań (suma wektorów trzech osi) zgodnie z normą EN 60745:

Wartości emisji drgań ( $a_h$ ) 2,6  $\text{m/s}^2$ ,  
niepewność (K) 1,5  $\text{m/s}^2$

Poziom ciśnienia akustycznego zgodnie z EN 60745:

Ciśnienie akustyczne ( $L_{pA}$ ) 90 dB(A), niepewność (K) 3 dB(A), Moc akustyczna ( $L_{WA}$ ) 105 dB(A), niepewność (K) 3 dB(A)

## Deklaracja zgodności UE

### DYREKTYWA MASZYNOWA



KW712/KW712KA

Firma Black & Decker oświadcza, że „dane techniczne” opisywanych produktów spełniają wymagania norm: 2006/42/EC, EN 60745-1, EN 60745-2-14

Aby otrzymać więcej informacji, należy skontaktować się z firmą Black & Decker pod adresem podanym poniżej lub na końcu instrukcji.

Osoba niżej podpisana odpowiedzialna jest za zestawienie informacji technicznych i złożenie deklaracji zgodności w imieniu firmy Black & Decker.

Kevin Hewitt  
Vice-President  
Global Engineering  
Black & Decker Europe,  
210 Bath Road, Slough,  
Berkshire, SL1 3YD  
Wielka Brytania  
17-02-2010

## Black & Decker

### WARUNKI GWARANCJI:

Firma Black & Decker jest pewna jakości swoich produktów i oferuje dla nich doskonałą gwarancję. Niniejsze warunki gwarancji nie pomniejszają praw klienta wynikających z polskich regulacji ustawowych lecz są ich uzupełnieniem. Gwarancja jest ważna na terenie Rzeczypospolitej Polskiej.

Black & Decker gwarantuje sprawne działanie produktu w przypadku postępowania zgodnego z warunkami techniczno-eksploatacyjnymi opisanymi w instrukcji obsługi.

Niniejszą gwarancją nie jest objęte dodatkowe wyposażenie, jeżeli nie została do niego dołączona oddzielna karta gwarancyjna oraz elementy wyrobu podlegające naturalnemu zużyciu.

1. Niniejszą gwarancją objęte są usterki produktu spowodowane wadami produkcyjnymi i wadami materiałowymi.
2. Niniejsza gwarancja jest ważna po przedstawieniu przez Klienta w Centralnym Serwisie Gwarancyjnym reklamowanego produktu oraz łącznie:
  - a) poprawnie wypełnionej karty gwarancyjnej;
  - b) ważnego paragonu zakupu z datą sprzedaży taką, jak w karcie gwarancyjnej lub kopii faktury.
3. Gwarancja obejmuje bezpłatną naprawę urządzenia (wraz z bezpłatną wymianą uszkodzonych części) w okresie 24 miesięcy od daty zakupu.
4. Produkt reklamowany musi być:
  - a) dostarczony bezpośrednio do Centralnego Serwisu Gwarancyjnego wraz z poprawnie wypełnioną Kartą Gwarancyjną i ważnym paragonem zakupu (lub kopią faktury) oraz szczegółowym opisem uszkodzenia, lub
  - b) przesłany do Centralnego Serwisu Gwarancyjnego za pośrednictwem punktu sprzedaży wraz z dokumentami wymienionymi powyżej.
5. Koszty wysyłki do Centralnego Serwisu Gwarancyjnego ponosi Serwis. Wszelkie koszty związane z zapewnieniem bezpiecznego opakowania, ubezpieczeniem i innym ryzykiem ponosi Klient. W przypadku odrzucenia roszczenia gwarancyjnego, produkt jest odsyłany do miejsca nadania na koszt adresata.
6. Usterki ujawnione w okresie gwarancji będą usunięte przez Centralny Serwis Gwarancyjny w terminie:
  - a) 14 dni roboczych od daty przyjęcia produktu przez Centralny Serwis Gwarancyjny;
  - b) termin usunięcia wady (punkt 6a) może być wydłużony o czas niezbędny do importu niezbędnych części zamiennych.
7. Klient otrzyma nowy sprzęt, jeżeli:
  - a) Centralny Serwis Gwarancyjny stwierdzi na piśmie, że usunięcie wady jest niemożliwe;
  - b) produkt nie podlega naprawie, tylko wymianie bez dokonywania naprawy.
8. O ile taki sam produkt jest nieosiągalny, może być wydany nowy produkt o nie gorszych parametrach.
9. Decyzja Centralnego Serwisu Gwarancyjnego odnośnie zasadności zgłaszanych usterek jest decyzją ostateczną.
10. Gwarancją nie są objęte:
  - a) wadliwe działanie lub uszkodzenia spowodowane niewłaściwym użytkowaniem lub używaniem produktu niezgodnie z przeznaczeniem, instrukcją obsługi lub przepisami bezpieczeństwa. W szczególności profesjonalne użytkowanie amatorskich narzędzi Black & Decker powoduje utratę gwarancji;
  - b) wadliwe działanie lub uszkodzenia spowodowane przeciążaniem narzędzia, które prowadzi do uszkodzeń silnika, przekładni lub innych elementów a także stosowaniem osprzętu innego niż zalecany przez Black & Decker;
  - c) mechaniczne uszkodzenia produktu i wywołane nimi wady;
  - d) wadliwe działanie lub uszkodzenia na skutek działania pożaru, powodzi, czy też innych klęsk żywiołowych, nieprzewidzianych wypadków, korozji, normalnego zużycia w eksploatacji czy też innych czynników zewnętrznych;
  - e) produkty, w których naruszone zostały plomby gwarancyjne lub, które były naprawiane poza Centralnym Serwisem Gwarancyjnym lub były przerabiane w jakikolwiek sposób;
  - f) osprzęt eksploatacyjny dołączony do urządzenia oraz elementy ulegające naturalnemu zużyciu.
11. Centralny Serwis Gwarancyjny, firmy handlowe, które sprzedały produkt, nie udzielają uprawnień ani gwarancji innych niż określone w karcie gwarancyjnej. W szczególności nie obejmują prawa klienta do domagania się zwrotu utraconych zysków w związku z uszkodzeniem produktu.
12. Gwarancja nie wyłącza, nie ogranicza ani nie zawiesza uprawnień kupującego wynikających z niezgodności towaru z umową.

**Centralny Serwis Gwarancyjny ERPATECH**  
**ul. Obozowa 61, 01-418 Warszawa**  
**tel.: (22) 862-08-08, faks: (22) 862-08-09**

## Použitie výrobku

Váš hoblík Black & Decker je určený na hoblívanie dreva, drevených výrobkov a plastov. Náradie je určené na ručnú obsluhu. Toto náradie je určené iba na spotrebiteľské použitie.

## Bezpečnostné pokyny

### Všeobecné bezpečnostné pokyny na prácu s elektrickým náradím



**Varovanie! Prečítajte si všetky bezpečnostné pokyny a bezpečnostné výstrahy.** Nedodržanie nižšie uvedených pokynov môže mať za následok úraz elektrickým prúdom, vznik požiaru alebo vážne poranenie.

**Všetky bezpečnostné varovania a pokyny uschovajte na prípadné ďalšie použitie.** Termín „elektrické náradie“ vo všetkých upozorneniach odkazuje na Vaše náradie napájané zo siete (je vybavené prívodným káblom) alebo náradie napájané akumulátorom (bez prívodného kábla).

#### 1. Bezpečnosť na pracovisku

- a. **Pracovný priestor udržiajte čistý a dobre osvetlený.** Preplnený a neosvetlený pracovný priestor môže viesť k spôsobeniu úrazov.
- b. **Nepracujte s elektrickým náradím vo výbušnom prostredí, ako sú napríklad priestory s výskytom horľavých kvapalín, plynov alebo prašných látok.** V elektrickom náradí dochádza k iskreniu, ktoré môže spôsobiť vznietenie horľavého prachu alebo výparov.
- c. **Pri práci s elektrickým náradím zaistite bezpečnú vzdialenosť detí a ostatných osôb.** Rozptyľovanie môže spôsobiť stratu kontroly nad náradím.

#### 2. Elektrická bezpečnosť

- a. **Zástrčka prívodného kábla náradia musí zodpovedať zásuvke. Zástrčku nikdy žiadnym spôsobom neupravujte. Nepoužívajte pri uzemnenom elektrickom náradí žiadne upravené zástrčky.** Neupravené zástrčky a zodpovedajúce zásuvky znižujú riziko vzniku úrazu elektrickým prúdom.
- b. **Nedotýkajte sa uzemnených povrchov, ako sú napríklad potrubia, radiátory, elektrické sporáky a chladničky.** Pri uzemnení Vášho tela narastá riziko úrazu elektrickým prúdom.
- c. **Nevystavujte elektrické náradie dažďu alebo vlhkému prostrediu.** Ak vnikne do

elektrického náradia voda, zvýši sa riziko úrazu elektrickým prúdom.

- d. **S prívodným káblom zaobchádzajte opatrne. Nikdy nepoužívajte prívodný kábel na prenášanie alebo posúvanie náradia a net'ahajte zaň, ak chcete náradie odpojiť od elektrickej siete. Zabráňte kontaktu kábla s masťnými, horúcimi a ostrými predmetmi alebo pohyblivými časťami.** Poškodený alebo zapletený prívodný kábel zvyšuje riziko vzniku úrazu elektrickým prúdom.
  - e. **Pri práci s náradím vonku používajte predlžovacie káble určené na vonkajšie použitie.** Použitie kábla na vonkajšie použitie znižuje riziko úrazu elektrickým prúdom.
  - f. **Pri práci s elektrickým náradím vo vlhkom prostredí musí byť v napájacom okruhu použitý prúdový chránič (RCD).** Použitie prúdového chrániča (RCD) znižuje riziko úrazu elektrickým prúdom.
- ### 3. Bezpečnosť obsluhy
- a. **Pri použití elektrického náradia zostaňte stále pozorní, sledujte, čo robíte a pracujte s rozvahou. Nepoužívajte elektrické náradie, ak ste unavení alebo ak ste pod vplyvom drog, alkoholu alebo liekov.** Chvíľka nepozornosti pri práci s elektrickým náradím môže viesť k vážnemu úrazu.
  - b. **Používajte prvky osobnej ochrany. Vždy používajte ochranu zraku.** Ochranné prostriedky ako respirátor, protišmyková pracovná obuv, prilba a chrániče sluchu, používané v príslušných podmienkach, znižujú riziko poranenia osôb.
  - c. **Zabráňte náhodnému zapnutiu. Pred pripojením zdroja napätia alebo pred vložením batérie a pred zdvihnutím alebo prenášaním náradia skontrolujte, či je vypnutý hlavný vypínač.** Prenášanie elektrického náradia s prstom na hlavnom vypínači alebo pripojenie prívodného kábla k elektrickej sieti, ak je hlavný vypínač náradia v polohe zapnuté, môže spôsobiť úraz.
  - d. **Pred zapnutím náradia sa vždy uistite, či nie sú v jeho blízkosti kľúče alebo nastavovacie prostriedky.** Nastavovacie kľúče ponechané na náradí môžu byť zachytené rotujúcimi časťami náradia a môžu spôsobiť úraz.
  - e. **Neprekážajte sami sebe. Pri práci vždy udržiajte vhodný a pevný postoj.** Tak je umožnená lepšia ovládateľnosť náradia v neočakávaných situáciách.



- f. **Vhodne sa obliekajte. Nenoste voľný odev alebo šperky. Dbajte na to, aby sa Vaše vlasy, odev a rukavice nedostali do kontaktu s pohyblivými časťami.** Voľné šaty, šperky alebo dlhé vlasy môžu byť pohyblivými dielmi zachytené.
- g. **Ak sú zariadenia vybavené adaptérom na pripojenie zariadenia na zachytávanie prachu, zaistíte jeho správne pripojenie a riadnu funkciu.** Použitie týchto zariadení môže znížiť nebezpečenstvo týkajúce sa prachu.
4. **Použitie elektrického náradia a jeho údržba**
- a. **Nepreťažujte elektrické náradie. Používajte správny typ náradia na vykonávanú prácu.** Pri použití správneho typu náradia bude práca vykonávaná lepšie a bezpečnejšie.
- b. **Ak nie je možné hlavný vypínač náradia zapnúť a vypnúť, s náradím npracujte.** Každé elektrické náradie s nefunkčným hlavným vypínačom je nebezpečné a musí sa opraviť.
- c. **Pred nastavovaním náradia, pred výmenou príslušenstva alebo ak náradie nepoužívate, odpojte zástrčku prívodného kábla od zásuvky alebo z náradia vyberte akumulátor.** Tieto preventívne bezpečnostné opatrenia znižujú riziko náhodného zapnutia náradia.
- d. **Uložte elektrické náradie mimo dosahu detí a nedovoľte ostatným osobám, ktoré toto náradie nevedia ovládať alebo ktoré nepoznajú tieto bezpečnostné pokyny, aby s týmto elektrickým náradím pracovali.** Elektrické náradie je v rukách nekvalifikovanej obsluhy nebezpečné.
- e. **Vykonávajte údržbu elektrického náradia. Skontrolujte vychýlenie alebo zablokovanie pohyblivých častí, poškodenie jednotlivých dielov a iné okolnosti, ktoré môžu ovplyvniť chod náradia. Ak je náradie poškodené, nechajte ho pred použitím opraviť.** Veľa nehôd býva spôsobených zanedbanou údržbou náradia.
- f. **Rezné nástroje udržiavajte ostré a čisté.** Riadne udržiavané rezné nástroje s ostrými reznými čepeľami sú menej náchylné na zanášanie nečistotami a lepšie sa ovládajú.
- g. **Elektrické náradie, príslušenstvo, držiaky nástrojov atď., používajte podľa týchto pokynov, berte do úvahy podmienky pracovného prostredia a prácu, ktorú budete vykonávať.** Použitie elektrického

náradia na iné účely, než na aké je určené, môže byť nebezpečné.

## 5. Opravy

- a. **Zverte opravu Vášho elektrického náradia iba osobe s príslušnou kvalifikáciou, ktorá bude používať výhradne originálne náhradné diely.** Tým zaistíte bezpečnú prevádzku náradia.

## Doplnkové bezpečnostné pokyny na prácu s elektrickým náradím



**Varovanie!** Ďalšie bezpečnostné pokyny týkajúce sa hoblíkov

- ♦ **Pri pracovných operáciách, pri ktorých by mohlo dôjsť ku kontaktu so skrytými vodičmi alebo s vlastným prívodným káblom, držte elektrické náradie vždy za izolované rukoväti.** Pri kontakte pracovného príslušenstva so „živým“ vodičom spôsobia nechránené kovové časti náradia obsluhu zásah elektrickým prúdom.
- ♦ **Na zaistenie a upnutie obrobku k pracovnému stolu používajte svorky alebo iné vhodné prostriedky.** Držanie obrobku rukou alebo opretie obrobku o časť tela nezaistí jeho stabilitu a môže viesť k strate kontroly.
- ♦ **Pred odložením hoblíka počkajte, kým sa nôž celkom nezastaví.** Nechránený nôž môže vniknúť do povrchu, čo môže spôsobiť stratu kontroly nad náradím a vážne zranenie.
- ♦ **Udržujte nôž ostrý.** Tupé alebo poškodené nože môžu pri práci pod tlakom spôsobiť vychýlenie alebo zablokovanie. Pri práci vždy používajte typ noža schválený pre Vaše náradie.
- ♦ **Nedotýkajte sa obrobku alebo noža ihneď po ukončení práce s náradím.** Môžu byť veľmi horúce.
- ♦ **Pred začatím hobľovania odstráňte z obrobku všetky klince a kovové predmety.**
- ♦ **Vždy držte náradie oboma rukami a za príslušné rukoväti.**
- ♦ **Ak dôjde k poškodeniu prívodného kábla alebo k jeho preseknutiu, ihneď odpojte prívodný kábel od sieťovej zásuvky.**

**Varovanie!** Kontakt alebo vdychovanie prachu a pilín, ktoré vznikajú pri hobľovaní, môže ohroziť zdravie pracovníka i okolostojacich osôb. Používajte masku proti prachu určenú špeciálne na ochranu pred toxickým prachom a podobnými látkami a zaistíte, aby boli takto chránené všetky osoby nachádzajúce sa alebo vstupujúce do pracovného priestoru.



- ♦ Toto náradie nie je určené na použitie osobami (vrátane detí) so zníženými fyzickými, zmyslovými alebo duševnými schopnosťami, alebo s nedostatkom skúseností a znalostí, ak týmto osobám nebol stanovený dohľad, alebo ak im neboli poskytnuté inštrukcie týkajúce sa použitia tohto výrobku osobou zodpovednou za ich bezpečnosť. Deti by mali byť pod dozorom, aby sa s náradím nehrali.
- ♦ Určené použitie tohto výrobku je opísané v tomto návode. Použitie iného príslušenstva alebo prídavného zariadenia a vykonávanie iných pracovných operácií s týmto náradím, než je odporúčané týmto návodom, môže spôsobiť poranenie obsluhy alebo poškodenie zariadenia.

### Bezpečnosť ostatných osôb

- ♦ Tento výrobok nie je určený na použitie osobami (vrátane detí) so zníženými fyzickými, zmyslovými alebo duševnými schopnosťami, alebo s nedostatkom skúseností a znalostí, ak týmto osobám nebol stanovený dohľad, alebo ak im neboli poskytnuté inštrukcie týkajúce sa použitia výrobku osobou zodpovednou za ich bezpečnosť.
- ♦ Deti by mali byť pod dozorom, aby sa s náradím nehrali.

### Vibrácie

Deklarovaná úroveň vibrácií uvedená v technických údajoch a vo vyhlásení o zhode bola meraná v súlade so štandardnou skúšobnou metódou predpísanou normou EN 60745 a môže sa použiť na porovnanie jednotlivých náradí medzi sebou. Deklarovaná úroveň vibrácií sa môže tiež použiť na predbežné stanovenie času práce s týmto náradím.

**Varovanie!** Úroveň vibrácií pri aktuálnom použití elektrického náradia sa môže od deklarovanej úrovne vibrácií líšiť v závislosti od spôsobu použitia náradia. Úroveň vibrácií môže byť vzhľadom na uvedenú hodnotu vyššia.

Prí stanovení času pôsobenia vibrácií, z dôvodu určenia bezpečnostných opatrení podľa normy 2002/44/EC na ochranu osôb pravidelne používajúcich elektrické náradie v zamestnaní, by mal predbežný odhad pôsobenia vibrácií brať na zreteľ aktuálne podmienky použitia náradia s prihliadnutím na všetky časti pracovného cyklu, ako sú časy, keď je náradie vypnuté a keď beží naprázdno.

### Štítky na náradí

Na náradí sú nasledujúce piktogramy:



**Varovanie!** Z dôvodu zníženia rizika spôsobenia úrazu si používateľ musí prečítať tento návod na obsluhu.

### Elektrická bezpečnosť



Toto náradie je chránené dvojitoú izoláciou. Preto nie je nutné použitie uzemňovacieho vodiča. Vždy skontrolujte, či napájacie napätie zodpovedá napätiu na výkonovom štítku.

- ♦ Ak je poškodený prívodný kábel, musí byť vymenený výrobcom alebo v autorizovanom servise Black & Decker, aby sa zabránilo možným rizikám.

### Popis

Toto náradie sa skladá z niektorých alebo zo všetkých nasledujúcich častí.

1. Vypínač zapnuté/vypnuté
2. Odstřovacie tlačidlo
3. Výstupný otvor na odvod hoblín
4. Nastavovacia skrutka hĺbky hobľovania
5. Stupnica hĺbky hobľovania

### Zostavenie

**Varovanie!** Pred montážou sa uistite, či je náradie vypnuté a či je prívodný kábel odpojený od zásuvky.

### Výmena nožov (obr. A)

Nože dodávané s týmto náradím sú obojstranné. Náhradné nože môžete získať u autorizovaného predajcu.

### Demontáž

- ♦ Pomocou dodávaného kľúča uvoľnite skrutky (6).
- ♦ Vysuňte nože (7) z držiaka.
- ♦ Obráťte nôž tak, aby sa do pracovnej polohy dostala nepoužitá časť obojstranného noža. Ak sú opotrebované už obe strany noža, musí sa nôž vymeniť.

### Upnutie

- ♦ Nasuňte nôž do držiaka tak, aby sa dostal ku koncovému dorazu.
- ♦ Utiahnite skrutky pomocou dodaného kľúča.

**Varovanie!** Vždy vymieňajte oba nože.

### Nastavenie hĺbky hobľovania (obr. B)

Hĺbka hobľovania je vyznačená značkou (8). Rozsah nastavenia sa môže odčítať na stupnici (5).

- ♦ Otáčaním nastavovacej skrutky hĺbky hobľovania (4) nastavte požadovanú hĺbku hobľovania.
- ♦ Ak sa náradie nepoužíva, vždy nastavte nastavovaciu skrutku do polohy P.

### **KW712KA – Nasadenie a odobratie paralelného vodidla (obr. C)**

Paralelné vodidlo sa používa na optimálne ovládanie náradia pri práci s úzkymi obrobkami.

- ♦ Povoľte poistnú skrutku (9).
- ♦ Zasuňte paralelné vodidlo (11) do otvoru (10).
- ♦ Nastavte paralelné vodidlo do požadovanej polohy.
- ♦ Utiahnite poistnú skrutku.
- ♦ Ak chcete paralelné vodidlo odobrať, vykonajte vyššie uvedené kroky v obrátenom poradí.

### **Pripojenie vysávača k náradiu (obr. D)**

Ak chcete k náradiu pripojiť vysávač alebo odsávacie zariadenie, musíte použiť adaptér. Tento adaptér môžete kúpiť u najbližšieho autorizovaného predajcu Black & Decker.

- ♦ Nasuňte adaptér (12) na výstupný otvor na odvod hoblín (3).
- ♦ Pripojte k adaptéru hadicu vysávača (13).

### **Zostavenie a upevnenie zberného vaku na hoblíny (obr. E)**

Zberný vak na hoblíny je veľmi užitočný najmä pri práci v obmedzených priestoroch.

Pred prvým použitím musíte zberný vak na hoblíny najskôr zostaviť.

- ♦ Pomocou skrutiek (16) a podložiek (17) pripevnite drôtené rámčeky (14) k doske (15).
- ♦ Natiahnite textilný zberný vak (18) na vytvorenú konštrukciu, ako na uvedenom obrázku. Dbajte na to, aby bol pružný otvor (19) správne nasadený na hranu dosky (15).
- ♦ Nasuňte dosku na výstupný otvor na odvod hoblín (3).

### **Zvyškové riziká.**

Ak sa náradie používa iným spôsobom, než je uvedené v priložených bezpečnostných varovaniach, môžu sa objaviť dodatočné zvyškové riziká. Tieto riziká môžu vzniknúť v dôsledku nesprávneho použitia, dlhodobého použitia atď. Napriek tomu, že sa dodržiavajú príslušné bezpečnostné predpisy a používajú sa bezpečnostné zariadenia, určité zvyškové riziká sa nemôžu vylúčiť. Tieto riziká sú nasledujúce:

- ♦ **Zranenia spôsobené kontaktom s akoukoľvek rotujúcou alebo pohybujúcou sa časťou.**

- ♦ **Zranenia spôsobené pri výmene dielov, pracovného nástroja alebo príslušenstva.**
- ♦ **Zranenia spôsobené dlhodobým použitím náradia. Ak používate akékoľvek náradie dlhší čas, zaistite, aby sa robili pravidelné prestávky.**
- ♦ **Poškodenie sluchu.**
- ♦ **Zdravotné riziká spôsobené vdychovaním prachu vytváraného pri použití náradia (príklad: - práca s drevom, najmä s dubovým, bukovým a MDF).**

### **Použitie**

**Varovanie!** Nechajte náradie pracovať jeho vlastným tempom. Zamedzte preťažovaniu náradia.

- ♦ Nastavte hĺbku hobľovania.
- ♦ Ak je to nutné, pripevnite a nastavte paralelné vodidlo.

### **Zapnutie a vypnutie**

#### **Zapnutie**

- ♦ Držte stlačené odist'ovacie tlačidlo (2) a stlačte vypínač zapnuté/vypnuté (1).
- ♦ Uvoľnite odist'ovacie tlačidlo.

#### **Vypnutie**

- ♦ Uvoľnite vypínač zapnuté/vypnuté.

### **Hobľovanie**

- ♦ Držte náradie tak, aby sa predná časť pätky nachádzala na povrchu obrobku.
- ♦ Zapnite náradie.
- ♦ Pohybujte náradím rovnomerne dopredu, aby došlo k pracovnému pohybu.
- ♦ Po ukončení pracovného pohybu náradie vypnite.

### **Drážkovanie (obr. F)**

- ♦ Pripevnite a nastavte paralelné vodidlo. (IBA KW712KA)
- ♦ Postupujte ako pri hobľovaní.

### **Zrážanie hrán**

V prednej časti pätky náradia je drážka v tvare V, ktorá umožňuje zrážanie hrán v uhle 45°.

- ♦ Držte náradie zarovnané s drážkou pri hrane obrobku a urobte pracovný pohyb.

### **Vyprázdnenie zberného vaku**

Zberný vak na hoblíny by sa mal počas práce pravidelne vysypávať.

- ♦ Otvorte vak a vysypte z neho hoblíny.

### Rady na optimálne použitie

- ♦ Vždy hoblujte v smere vlákien dreva.
- ♦ Ak sú vlákna dreva naprieč obrobkom, ak je drevo deformované alebo ak je materiálom obrobku veľmi tvrdé drevo, nastavte hĺbku hoblovania tak, aby bola pri každom pracovnom pohybe odoberaná iba veľmi tenká vrstva materiálu a urobte niekoľko pracovných pohybov, aby ste dosiahli požadovanú hĺbku hoblovania.
- ♦ Aby bola zaistená správna poloha a smer náradia počas pracovného pohybu, pri začatí pohybu stláčajte prednú časť náradia a pri ukončení pracovného pohybu stláčajte zadnú časť náradia.

### Príslušenstvo

Výkon Vášho náradia závisí od používaného príslušenstva. Príslušenstvá Black & Decker a Piranha sú navrhnuté a vyrobené podľa noriem pre vysokú kvalitu a sú určené na zvýšenie výkonu Vášho náradia. Použitím tohto príslušenstva docielite ten najlepší výsledok, ktorý Vám Vaše náradie môže poskytnúť.

U autorizovaného predajcu môžete získať nasledujúce typy nožov.

- Obojstranné nože s čepeľami osadenými doštičkami karbidu volfrámu (kat. č. X35007, dodávané v páre)
- Obojstranné nože s rýchlereznej ocele (kat. č. X24192-XJ11, dodávané v páre)

### Údržba

Vaše náradie Black & Decker bolo skonštruované tak, aby pracovalo čo najdlhšie s minimálnymi nárokmi na údržbu. Riadna starostlivosť o náradie a jeho pravidelné čistenie Vám zaisťujú jeho bezproblémový chod.

**Varovanie!** Pred vykonávaním akejkoľvek údržby náradie vypnite a odpojte prívodný kábel od siete.

- ♦ Vetracie otvory náradia pravidelne čistite mäkkou kefou alebo suchou handričkou.
- ♦ Pomocou vlhkej handričky pravidelne čistite kryt motora. Nepoužívajte žiadne abrazívne čistiace prostriedky alebo rozpúšťadlá.

### Výmena hnacieho remeňa (obr. G)

- ♦ Povoľte skrutky (20) a odoberte kryt (21).
- ♦ Odoberte starý hnací remeň.
- ♦ Nasadte na remenice nový hnací remeň (22). Nasadte remeň najskôr na veľkú remenicu (23) a potom na malú remenicu (24), zatiaľ čo budete rovnomerne rukou otáčať remeňom.

- ♦ Vráťte kryt na pôvodné miesto a utiahnite skrutky.

### Výmena sieťovej zástrčky (iba Veľká Británia a Írsko)

Ak budete inštalovať novú zástrčku prívodného kábla:

- ♦ Zaisťte ekologickú likvidáciu starej zástrčky.
- ♦ Pripojte hnedý vodič k svorke pod napätím na novej zástrčke.
- ♦ Modrý vodič pripojte k nulovej svorke.

**Varovanie!** K uzemňovacej svorke nesmie byť pripojený žiadny vodič. Dodržujte montážne pokyny dodávané s kvalitnými zástrčkami. Odporúčaná poistka: 5 A.

### Ochrana životného prostredia



Triedte odpad. Tento výrobok sa nesmie vyhodiť do bežného domového odpadu.

Ak nebudete výrobok Black & Decker ďalej používať alebo ak si ho prajete nahradiť novým, nelikvidujte ho spolu s bežným komunálnym odpadom. Zlikvidujte tento výrobok v triedenom odpade.



Triedený odpad umožňuje recykláciu a opätovné využitie použitých výrobkov a obalových materiálov. Opätovné použitie recyklovaných materiálov pomáha chrániť životné prostredie pred znečistením a znižuje spotrebu surovín.

Pri kúpe nových výrobkov Vám predajne, miestne zberne odpadov alebo recyklačné stanice poskytnú informácie o správnej likvidácii elektroodpadov z domácnosti.

Spoločnosť Black & Decker poskytuje službu zberu a recyklácie výrobkov Black & Decker po skončení ich prevádzkovej životnosti. Ak chcete získať výhody tejto služby, odovzdajte, prosím, Váš výrobok ktorémukolvek autorizovanému zástupcovi servisu, ktorý náradie odoberie a zaisťuje jeho recykláciu.

Miesto najbližšieho autorizovaného servisu Black & Decker nájdete na príslušnej adrese uvedenej v tomto návode. Zoznam autorizovaných servisov Black & Decker a podrobnosti o popredajnom servise nájdete aj na internetovej adrese: [www.2helpU.com](http://www.2helpU.com)

**Technické údaje**

		KW712/KW712KA TYP 2
Napájacie napätie	$V_{AC}$	230
Príkon	W	650
Otáčky naprázdno	$\text{min}^{-1}$	17 000
Šírka hobľovania	mm	82
Hĺbka hobľovania	mm	2
Drážkovacia hĺbka	mm	8
Hmotnosť	kg	3

**Celková úroveň vibrácií (priestorový vektorový súčet) podľa normy EN 60745:**

Hodnota vibrácií ( $a_{\text{h}}$ ) 2,6  $\text{m/s}^2$ , odchýlka (K) 1,5  $\text{m/s}^2$

Hladina akustického tlaku podľa normy EN 60745:  
 Akustický tlak ( $L_{\text{pA}}$ ) 90 dB(A), odchýlka (K) 3 dB(A),  
 Akustický výkon ( $L_{\text{WA}}$ ) 105 dB(A), odchýlka (K) 3 dB(A)

**ES Vyhlásenie o zhode v rámci EÚ**  
SMERNICA PRE STROJOVÉ ZARIADENIA

KW712/KW712KA

Spoločnosť Black & Decker vyhlasuje, že tieto produkty popisované v technických údajoch spĺňajú požiadavky nasledujúcich noriem: 2006/42/EC, EN 60745-1, EN 60745-2-14

Ak chcete získať ďalšie informácie, kontaktujte, prosím, spoločnosť Black & Decker na tejto adrese alebo na adresách, ktoré sú uvedené na konci tohto návodu.

Nižšie podpísaná osoba je zodpovedná za zostavenie technických údajov a vydáva toto vyhlásenie v zastúpení spoločnosti Black & Decker.

Kevin Hewitt  
 Viceprezident  
 pre spotrebiteľskú techniku  
 Black & Decker Europe,  
 210 Bath Road, Slough,  
 Berkshire, SL1 3YD  
 United Kingdom  
 17-02-2010

Ak sa objavia na výrobku Black & Decker v priebehu 24 mesiacov od kúpy akékoľvek materiálové či výrobné chyby, spoločnosť Black & Decker garantuje v snahe o minimalizovanie Vašich starostí bezplatnú výmenu chybných dielov, opravu alebo výmenu celého výrobku za nižšie uvedených podmienok:

- ◆ Výrobok sa nepoužíval na obchodné alebo profesionálne účely a nedochádzalo k jeho prenájmu.
- ◆ Výrobok nebol vystavený nesprávnemu použitiu a nebola zanedbaná jeho predpísaná údržba.
- ◆ Výrobok nebol poškodený cudzím zavinením.
- ◆ Opravy nevykonávali iné osoby, než autorizovaní opravári alebo mechanici autorizovaného servisu Black & Decker.

Ak požadujete záručnú opravu, budete musieť predajcovi alebo zástupcovi autorizovaného servisu predložiť doklad o kúpe výrobku. Miesto najbližšieho autorizovaného servisu Black & Decker nájdete na príslušnej adrese uvedenej v tomto návode. Zoznam autorizovaných servisov Black & Decker a podrobnosti o popredajnom servise nájdete aj na internetovej adrese: [www.2helpU.com](http://www.2helpU.com)

Navštívte, prosím, našu internetovú stránku [www.blackanddecker.sk](http://www.blackanddecker.sk), aby ste mohli zaregistrovať Váš nový výrobok Black & Decker a kde budete informovaní o našich nových výrobkoch a špeciálnych ponukách. Na adrese [www.blackanddecker.sk](http://www.blackanddecker.sk) sú k dispozícii ďalšie informácie o značke Black & Decker a o celom rade našich ďalších výrobkov.

**Záruka**

Spoločnosť Black & Decker je presvedčená o kvalite svojich výrobkov a ponúka mimoriadnu záruku. Táto záruka je ponúkaná v prospech zákazníka a nijako neovplyvní jeho zákonné záručné práva. Táto záruka platí vo všetkých členských štátoch EÚ a v Európskej zóne voľného obchodu EFTA.

## Назначение

Ваш электрический рубанок Black & Decker предназначен для строгания древесины, изделий из дерева и пластмасс. Данный инструмент предназначен только для бытового использования. Данный инструмент предназначен только для использования в домашних условиях.

## Инструкции по технике безопасности

### Общие правила безопасности при работе с электроинструментами



**Внимание! Внимательно прочтите все инструкции по безопасности и руководство по эксплуатации.** Несоблюдение всех перечисленных ниже правил безопасности и инструкций может привести к поражению электрическим током, возникновению пожара и/или получению тяжелой травмы.

**Сохраните все инструкции по безопасности и руководство по эксплуатации для их дальнейшего использования.** Термин «Электроинструмент» во всех приведенных ниже указаниях относится к Вашему сетевому (с кабелем) электроинструменту или аккумуляторному (беспроводному) электроинструменту.

#### 1. Безопасность рабочего места

- a. **Содержите рабочее место в чистоте и обеспечьте хорошее освещение.** Плохое освещение или беспорядок на рабочем месте может привести к несчастному случаю.
- b. **Не используйте электроинструменты, если есть опасность возгорания или взрыва, например, вблизи легко воспламеняющихся жидкостей, газов или пыли.** В процессе работы электроинструмент создает искровые разряды, которые могут воспалить пыль или горючие пары.
- c. **Во время работы с электроинструментом не подпускайте близко детей или посторонних лиц.** Отвлечение внимания может вызвать у Вас потерю контроля над рабочим процессом.

#### 2. Электробезопасность

- a. **Вилка кабеля электроинструмента должна соответствовать штепсельной**

**розетке. Ни в коем случае не видоизменяйте вилку электрического кабеля. Не используйте соединительные штепсели-переходники, если в силовом кабеле электроинструмента есть провод заземления.** Использование оригинальной вилки кабеля и соответствующей ей штепсельной розетки уменьшает риск поражения электрическим током.

- b. **Во время работы с электроинструментом избегайте физического контакта с заземленными объектами, такими как трубопроводы, радиаторы отопления, электроплиты и холодильники.** Риск поражения электрическим током увеличивается, если Ваше тело заземлено.
- c. **Не используйте электроинструмент под дождем или во влажной среде.** Попадание воды в электроинструмент увеличивает риск поражения электрическим током.
- d. **Бережно обращайтесь с электрическим кабелем. Ни в коем случае не используйте кабель для переноски электроинструмента или для вытягивания его вилки из штепсельной розетки. Не подвергайте электрический кабель воздействию высоких температур и смазочных веществ; держите его в стороне от острых кромок и движущихся частей электроинструмента.** Поврежденный или запутанный кабель увеличивает риск поражения электрическим током.
- e. **При работе с электроинструментом на открытом воздухе используйте удлинительный кабель, предназначенный для наружных работ.** Использование кабеля, пригодного для работы на открытом воздухе, снижает риск поражения электрическим током.
- f. **При необходимости работы с электроинструментом во влажной среде используйте источник питания, оборудованный устройством защитного отключения (УЗО).** Использование УЗО снижает риск поражения электрическим током.

#### 3. Личная безопасность

- a. **При работе с электроинструментами будьте внимательны, следите за тем, что Вы делаете, и руководствуйтесь здравым смыслом. Не используйте**

- электроинструмент, если Вы устали, а также находясь под действием алкоголя или понижающих реакцию лекарственных препаратов и других средств. Малейшая неосторожность при работе с электроинструментами может привести к серьезной травме.
- b. При работе используйте средства индивидуальной защиты. Всегда надевайте защитные очки. Своевременное использование защитного снаряжения, а именно: пылезащитной маски, ботинок на нескользящей подошве, защитного шлема или противозвучных наушников, значительно снизит риск получения травмы.
  - c. Не допускайте непреднамеренного запуска. Перед тем, как подключить электроинструмент к сети и/или аккумулятору, поднять или перенести его, убедитесь, что выключатель находится в положении «выключено». Не переносите электроинструмент с нажатой кнопкой выключателя и не подключайте к сетевой розетке электроинструмент, выключатель которого установлен в положение «включено», это может привести к несчастному случаю.
  - d. Перед включением электроинструмента снимите с него все регулировочные или гаечные ключи. Регулировочный или гаечный ключ, оставленный закрепленным на вращающейся части электроинструмента, может стать причиной тяжелой травмы.
  - e. Работайте в устойчивой позе. Всегда твердо стойте на ногах, сохраняя равновесие. Это позволит Вам не потерять контроль при работе с электроинструментом в непредвиденной ситуации.
  - f. Одевайтесь соответствующим образом. Во время работы не надевайте свободную одежду или украшения. Следите за тем, чтобы Ваши волосы, одежда или перчатки находились в постоянном отдалении от движущихся частей инструмента. Свободная одежда, украшения или длинные волосы могут попасть в движущиеся части инструмента.
  - g. Если электроинструмент снабжен устройством сбора и удаления пыли, убедитесь, что данное устройство подключено и используется надлежащим образом. Использование устройства пылеудаления значительно снижает риск возникновения несчастного случая, связанного с запыленностью рабочего пространства.
4. Использование электроинструментов и технический уход
    - a. Не перегружайте электроинструмент. Используйте Ваш инструмент по назначению. Электроинструмент работает надежно и безопасно только при соблюдении параметров, указанных в его технических характеристиках.
    - b. Не используйте электроинструмент, если его выключатель не устанавливается в положение включения или выключения. Электроинструмент с неисправным выключателем представляет опасность и подлежит ремонту.
    - c. Отключайте электроинструмент от сетевой розетки и/или извлекайте аккумулятор перед регулированием, заменой принадлежностей или при хранении электроинструмента. Такие меры предосторожности снижают риск случайного включения электроинструмента.
    - d. Храните неиспользуемые электроинструменты в недоступном для детей месте и не позволяйте лицам, не знакомым с электроинструментом или данными инструкциями, работать с электроинструментом. Электроинструменты представляют опасность в руках неопытных пользователей.
    - e. Регулярно проверяйте исправность электроинструмента. Проверяйте точность совмещения и легкость перемещения подвижных частей, целостность деталей и любых других элементов электроинструмента, воздействующих на его работу. Не используйте неисправный электроинструмент, пока он не будет полностью отремонтирован. Большинство несчастных случаев являются следствием недостаточного технического ухода за электроинструментом.
    - f. Следите за остротой заточки и чистой режущих принадлежностей. Принадлежности с острыми кромками позволяют избежать заклинивания и делают работу менее утомительной.
    - g. Используйте электроинструмент, аксессуары и насадки в соответствии с данным Руководством и с учетом рабочих условий и характера



будущей работы. Использование электроинструмента не по назначению может создать опасную ситуацию.

## 5. Техническое обслуживание

- а. Ремонт Вашего электроинструмента должен производиться только квалифицированными специалистами с использованием идентичных запасных частей.** Это обеспечит безопасность Вашего электроинструмента в дальнейшей эксплуатации.

### Дополнительные меры безопасности при работе с электроинструментами



**Внимание!** Дополнительные меры безопасности при работе рубанками

- ◆ **Держите электроинструмент за изолированные ручки при выполнении операций, во время которых режущий инструмент может задеть скрытую проводку или собственный кабель.** Контакт насадки с находящимся под напряжением проводом делает непокрытые изоляцией металлические части электроинструмента также «живыми», что создает опасность удара электрическим током.
- ◆ **Используйте струбцины или другие приспособления для фиксации обрабатываемой детали, устанавливая их только на неподвижной поверхности.** Если держать обрабатываемую деталь руками или с упором в собственное тело, то можно потерять контроль над инструментом или обрабатываемой деталью.
- ◆ **Дождитесь полной остановки ножа перед тем, как положить инструмент.** Касание незащищенным ножом поверхности может привести к потере контроля над инструментом и серьезным травмам.
- ◆ **Следите за остротой заточки ножа.** Затупленные или поврежденные ножи могут заставить рубанок отклониться от линии строгания или остановиться под воздействием чрезмерного усилия. Всегда используйте ножи, соответствующие данному электроинструменту.
- ◆ **Никогда не дотрагивайтесь до обрабатываемой заготовки или ножа сразу по окончании работы инструмента.** Они могут оказаться очень горячими.

- ◆ Перед работой удалите из заготовки все гвозди и прочие металлические предметы.
- ◆ Всегда держите инструмент обеими руками за предусмотренные рукоятки.
- ◆ Немедленно отключайте поврежденный или разрезанный кабель питания от электрической сети.

**Внимание!** Контакт с пылью или вдыхание пыли, возникающей в ходе строгания, может представлять опасность для здоровья оператора и окружающих лиц. Надевайте респиратор, специально разработанный для защиты от пыли и паров, и следите, чтобы лица, находящиеся в рабочей зоне, также были обеспечены средствами индивидуальной защиты.

- ◆ Использование инструмента физически или умственно неполноценными людьми, а также детьми и неопытными лицами допускается только под контролем ответственного за их безопасность лица. Не позволяйте детям играть с электроинструментом.
- ◆ Назначение инструмента описывается в данном руководстве по эксплуатации. Использование любых принадлежностей или приспособлений, а также выполнение данным инструментом любых видов работ, не рекомендованных данным руководством по эксплуатации, может привести к несчастному случаю и/или повреждению личного имущества.

### Безопасность посторонних лиц

- ◆ Использование инструмента физически или умственно неполноценными людьми, а также детьми и неопытными лицами допускается только под контролем ответственного за их безопасность лица.
- ◆ Не позволяйте детям играть с электроинструментом.

### Вибрация

Значения уровня вибрации, указанные в технических характеристиках инструмента и декларации соответствия, были измерены в соответствии со стандартным методом определения вибрационного воздействия согласно EN60745 и могут использоваться при сравнении характеристик различных инструментов. Приведенные значения уровня вибрации могут также использоваться для предварительной оценки величины вибрационного воздействия.

**Внимание!** Значения вибрационного воздействия при работе с электроинструментом зависят от вида работ, выполняемых данным инструментом, и могут отличаться от заявленных значений. Уровень вибрации может превышать заявленное значение.

При оценке степени вибрационного воздействия для определения необходимых защитных мер (2002/44/ЕС) для людей, использующих в процессе работы электроинструменты, необходимо принимать во внимание действительные условия использования электроинструмента, учитывая все составляющие рабочего цикла, в том числе время, когда инструмент находится в выключенном состоянии, и время, когда он работает без нагрузки, а также время его запуска и отключения.

### Маркировка инструмента

На инструменте имеются следующие знаки:



**Внимание!** Полное ознакомление с руководством по эксплуатации снизит риск получения травмы.

### Электробезопасность



Данный электроинструмент защищен двойной изоляцией, исключающей потребность в заземляющем проводе. Следите за напряжением электрической сети, оно должно соответствовать величине, обозначенной на информационной табличке электроинструмента.

- ♦ Во избежание несчастного случая, замена поврежденного кабеля питания должна производиться только на заводе-изготовителе или в авторизованном сервисном центре Black & Decker.

### Составные части

Ваш электроинструмент может содержать все или некоторые из перечисленных ниже составных частей:

1. Клавиша пускового выключателя
2. Кнопка защиты от непреднамеренного пуска
3. Выпускное отверстие устройства удаления стружки
4. Поворотная рукоятка регулятора глубины строгания
5. Градуированная шкала глубины строгания

### Сборка

**Внимание!** Перед началом сборки убедитесь, что инструмент выключен и отсоединен от электросети.

### Замена строгальных ножей (Рис. А)

Входящие в комплект поставки данного рубанка строгальные ножи можно перевернуть на другую кромку. Сменные строгальные ножи можно заказать у продавца Black & Decker.

### Снятие

- ♦ Ослабьте болты (6) входящим в комплект поставки гаечным ключом.
- ♦ Извлеките строгальный нож (7) из держателя.
- ♦ Переверните строгальный нож, чтобы могла работать его неиспользованная сторона. При износе обеих сторон строгального ножа, замените его.

### Установка

- ♦ Вдвиньте строгальный нож до упора в держатель.
- ♦ Затяните болты входящим в комплект поставки гаечным ключом.

**Внимание!** Всегда заменяйте оба ножа.

### Настройка глубины строгания (Рис. В)

Глубина строгания обозначена меткой (8). Диапазон регулирования можно проверить по градуированной шкале (5).

- ♦ Установите поворотную рукоятку (4) на необходимую глубину строгания.
- ♦ При неиспользовании рубанка, устанавливайте регулятор глубины строгания в положение «Р».

### KW712KA Установка и снятие параллельной направляющей (Рис. С)

Параллельная направляющая облегчает управление рубанком при обработке узких заготовок.

- ♦ Ослабьте фиксатор (9).
- ♦ Вставьте направляющую (11) в отверстие (10).
- ♦ Установите направляющую в необходимое положение.
- ♦ Затяните фиксатор.
- ♦ Для снятия параллельной направляющей, действуйте в обратном порядке.

### Подключение пылесоса к инструменту (Рис. D)

Для подключения к инструменту пылесоса или пылеудаляющего устройства необходим

переходник. Переходник можно приобрести у Вашего местного дилера Black & Decker.

- ◆ Надвиньте переходник (12) на выпускное отверстие устройства удаления стружки (3).
- ◆ Подключите шланг пылесоса (13) к переходнику.

### **Сборка и установка сборника стружки (Рис. Е)**

Сборник стружки особенно необходим при работе в ограниченном пространстве.

Перед первым использованием, необходимо произвести его сборку.

- ◆ Используя винты (16) и шайбы (17), прикрепите проволочные рамки (14) к соединительной пластине (15).
- ◆ Наденьте матерчатый мешок (18), на рамки, как показано на рисунке. Проследите, чтобы эластичная горловина (19) мешка правильно облегло кромку соединительной пластины (15).
- ◆ Надвиньте соединительную пластину на выпускное отверстие устройства удаления стружки (3).

### **Остаточные риски**

При работе с данным инструментом возможно возникновение дополнительных остаточных рисков, которые не вошли в описанные здесь правила техники безопасности. Эти риски могут возникнуть при неправильном или продолжительном использовании изделия и т.п. Несмотря на соблюдение соответствующих инструкций по технике безопасности и использование предохранительных устройств, некоторые остаточные риски невозможно полностью исключить. К ним относятся:

- ◆ **Травмы в результате касания вращающихся/двигающихся частей инструмента.**
- ◆ **Риск получения травмы во время смены деталей инструмента, ножей или насадок.**
- ◆ **Риск получения травмы, связанный с продолжительным использованием инструмента. При использовании инструмента в течение продолжительного периода времени делайте регулярные перерывы в работе.**
- ◆ **Ухудшение слуха.**
- ◆ **Ущерб здоровью в результате вдыхания пыли в процессе работы с инструментом (например, при распиле древесины, в особенности, дуба, бука и ДВП.)**

### **Эксплуатация**

**Внимание!** Не форсируйте рабочий процесс. Избегайте перегрузки инструмента.

- ◆ Отрегулируйте глубину строгания.
- ◆ При необходимости, установите параллельную направляющую и отрегулируйте ее.

### **Включение и выключение**

#### **Включение**

- ◆ Нажмите и удерживайте кнопку защиты от непреднамеренного пуска (2), затем нажмите на клавишу пускового выключателя (1).
- ◆ Отпустите кнопку защиты от непреднамеренного пуска.

#### **Выключение**

- ◆ Отпустите клавишу пускового выключателя (1).

### **Строгание**

- ◆ Установите носовую часть подошвы рубанка на поверхность обрабатываемой заготовки.
- ◆ Включите инструмент.
- ◆ Двигайте рубанок равномерно вперед, до окончания хода строгания.
- ◆ По окончании хода выключите инструмент.

### **Фальцевание (Рис. F)**

- ◆ Установите параллельную направляющую и отрегулируйте ее. (ТОЛЬКО KW712KA)
- ◆ Действуйте как при строгании.

### **Снятие фаски**

V-образный паз в носовой части подошвы рубанка позволяет легко снимать фаски под углом 45°.

- ◆ Удерживая рубанок под углом к обрабатываемой заготовке, чтобы при этом ее кромка вошла в паз подошвы рубанка, снимите фаску.

### **Чистка сборника стружки**

Регулярно очищайте сборник от стружки.

- ◆ Откройте молнию и высыпьте стружку из мешка.

### **Рекомендации по оптимальному использованию**

- ◆ Двигайте рубанок вдоль волокон древесины.
- ◆ В случае пересечения или искривления волокон, также при обработке древесины твердых пород, для достижения наилучшего результата, установите меньшую глубину

строгания. При этом необходимо сделать несколько проходов, снимая очень тонкий слой за один ход.

- ◆ Чтобы рубанок двигался прямолинейно, в начале движения прижимайте к обрабатываемой заготовке переднюю половину подошвы, а в конце движения - заднюю.

### Дополнительные принадлежности

Производительность Вашего электроинструмента напрямую зависит от используемых принадлежностей. Принадлежности Black & Decker и Piranha изготовлены в соответствии с самыми высокими стандартами качества и способны увеличить производительность Вашего электроинструмента. Используя эти принадлежности, Вы достигнете наилучших результатов в работе.

У продавца Black & Decker можно заказать следующие типы строгальных ножей:

- Двухсторонний твердосплавный нож (№ для заказа детали X35007, 2 шт. в комплекте).
- Двухсторонний нож из быстрорежущей стали (№ для заказа детали X24192-XJ11, 2 шт. в комплекте).

### Техническое обслуживание

Ваш инструмент рассчитан на работу в течение продолжительного времени при минимальном техническом обслуживании. Срок службы и надежность инструмента увеличивается при правильном уходе и регулярной чистке.

**Внимание!** Перед любыми видами работ по техническому обслуживанию выключайте инструмент и отключайте его от источника питания.

- ◆ Регулярно очищайте вентиляционные отверстия Вашего инструмента мягкой щеткой или сухой тканью.
- ◆ Регулярно очищайте корпус двигателя влажной тканью. Не используйте абразивные чистящие средства, а также чистящие средства на основе растворителей.

### Замена приводного ремня (Рис. G)

- ◆ Отвинтите винты (20) и снимите защитный кожух (21).
- ◆ Удалите изношенный приводной ремень.

- ◆ Наденьте новый ремень (22) на шкивы. Равномерно проворачивая ремень рукой, наденьте его сначала на большой шкив (23), затем на малый шкив (24).
- ◆ Установите защитный кожух на свое место и затяните винты.

### Защита окружающей среды



Раздельный сбор. Данное изделие нельзя утилизировать вместе с обычными бытовыми отходами.

Если однажды Вы захотите заменить Ваш электроинструмент Black & Decker или Вы больше в нем не нуждаетесь, не выбрасывайте его вместе с бытовыми отходами. Отнесите изделие в специальный приемный пункт.



Раздельный сбор изделий с истекшим сроком службы и их упаковок позволяет пускать их в переработку и повторно использовать. Использование переработанных материалов помогает защищать окружающую среду от загрязнения и снижает расход сырьевых материалов.

Местное законодательство может обеспечить сбор старых электроинструментов отдельно от бытового мусора на муниципальных свалках отходов, или Вы можете сдавать их в торговом предприятии при покупке нового изделия.

Фирма Black & Decker обеспечивает прием и переработку отслуживших свой срок изделий Black & Decker. Чтобы воспользоваться этой услугой, Вы можете сдать Ваше изделие в любой авторизованный сервисный центр, который собирает их по нашему поручению.

Вы можете узнать место нахождения Вашего ближайшего авторизованного сервисного центра, обратившись в Ваш местный офис Black & Decker по адресу, указанному в данном руководстве по эксплуатации. Кроме того, список авторизованных сервисных центров Black & Decker и полную информацию о нашем послепродажном обслуживании и контактах Вы можете найти в интернете по адресу: [www.2helpU.com](http://www.2helpU.com)

**Технические характеристики****KW712/KW712KA ТИП2**

Напряжение питания		
В перем. тока	230	
Потребляемая мощность	Вт	650
Число оборотов		
без нагрузки	об./мин.	17 000
Ширина строгания	мм	82
Глубина строгания	мм	2
Глубина фальцевания	мм	8
Вес	кг	3

**Сумма величин вибрации (сумма векторов по трем осям), измеренных в соответствии со стандартом EN 60745:**

Вибрационное воздействие ( $a_v$ ) 2,6 м/с<sup>2</sup>,  
погрешность (К) 1,5 м/с<sup>2</sup>

Уровень звукового давления в соответствии с EN 60745:

Звуковое давление ( $L_{pA}$ ) 90 дБ(А), погрешность (К) 3 дБ(А), Акустическая мощность ( $L_{WA}$ ) 105 дБ(А), погрешность (К) 3 дБ(А)

**Декларация соответствия ЕС**  
 ДИРЕКТИВА ПО МЕХАНИЧЕСКОМУ  
 ОБОРУДОВАНИЮ


KW712/KW712KA

Black & Decker заявляет, что продукты, обозначенные в разделе «Технические характеристики», полностью соответствуют стандартам: 2006/42/ЕС, EN 60745-1, EN 60745-2-14

За дополнительной информацией обращайтесь по указанному ниже адресу или по адресу, указанному на последней странице руководства.

Нижеподписавшееся лицо полностью отвечает за соответствие технических данных и делает это заявление от имени фирмы Black & Decker.

Кевин Хьюитт (Kevin Hewitt)  
 Вице-президент отдела  
 мирового проектирования  
 Black & Decker Europe,  
 210 Bath Road, Slough,  
 Berkshire, SL1 3YD  
 United Kingdom  
 17-02-2010

## БЛЭК ЭНД ДЕККЕР

### гарантийные условия

Уважаемый покупатель!

1. Поздравляем Вас с покупкой высококачественного изделия BLACK & DECKER и выражаем признательность за Ваш выбор.
- 1.1. Надежная работа данного изделия в течение всего срока эксплуатации - предмет особой заботы наших сервисных служб. В случае возникновения каких-либо проблем в процессе эксплуатации изделия рекомендуем Вам обращаться только в авторизованные сервисные организации, адреса и телефоны которых Вы сможете найти в Гарантийном талоне или узнать в магазине. Наши сервисные станции - это не только квалифицированный ремонт, но и широкий выбор запчастей и принадлежностей.
- 1.2. При покупке изделия требуйте проверки его комплектности и исправности в Вашем присутствии, инструкцию по эксплуатации и заполненный Гарантийный талон на русском языке. При отсутствии у Вас правильно заполненного Гарантийного талона мы будем вынуждены отклонить Ваши претензии по качеству данного изделия.
- 1.3. Во избежание недоразумений убедительно просим Вас перед началом работы с изделием внимательно ознакомиться с инструкцией по его эксплуатации.
- 1.4. Обращаем Ваше внимание на исключительно бытовое назначение данного изделия.
2. Правовой основой настоящих гарантийных условий является действующее Законодательство и, в частности, Закон "О защите прав потребителей".
3. Гарантийный срок на данное изделие составляет 24 месяца и исчисляется со дня продажи через розничную торговую сеть. В случае устранения недостатков изделия, гарантийный срок продлевается на период, в течение которого оно не использовалось.
4. Срок службы изделия - 5 лет (минимальный, установленный в соответствии с Законом "О защите прав потребителей").
5. Наши гарантийные обязательства распространяются только на неисправности, выявленные в течение гарантийного срока и обусловленные производственными и конструктивными факторами.
6. Гарантийные обязательства не распространяются:
  - 6.1. На неисправности изделия, возникшие в результате:
    - 6.1.1. Несоблюдения пользователем предписаний инструкции по эксплуатации изделия.
    - 6.1.2. Механического повреждения, вызванного внешним ударным или любым иным воздействием.

- 6.1.3. Использования изделия в профессиональных целях и объемах, в коммерческих целях.
- 6.1.4. Применения изделия не по назначению.
- 6.1.5. Стихийного бедствия.
- 6.1.6. Неблагоприятных атмосферных и иных внешних воздействий на изделие, таких как дождь, снег, повышенная влажность, нагрев, агрессивные среды, несоответствие параметров питающей электросети указанным на инструменте.
- 6.1.7. Использования принадлежностей, расходных материалов и запчастей, не рекомендованных или не одобренных производителем.
- 6.1.8. Проникновения внутрь изделия посторонних предметов, насекомых, материалов или веществ, не являющихся отходами, сопровождающими применение по назначению, такими как стружка опилки и пр. .
- 6.2. На инструменты, подвергавшиеся вскрытию, ремонту или модификации вне уполномоченной сервисной станции.
- 6.3. На принадлежности, запчасти, вышедшие из строя вследствие нормального износа, и расходные материалы, такие как приводные ремни, угольные щетки, аккумуляторные батареи, ножи, пилки, абразивы, пыльные диски, сверла, буры и т. п. .
- 6.4. На неисправности, возникшие в результате перегрузки инструмента, повлекшей выход из строя электродвигателя или других узлов и деталей. К безусловным признакам перегрузки изделия относятся, помимо прочих: появление цветов побежалости, деформация или оплавление деталей и узлов изделия, потемнение или обугливание изоляции проводов электродвигателя под воздействием высокой температуры.





## Призначення інструмента

Рубанок Black & Decker призначений для обробки деревини, лісоматеріалів та пластика. Цей інструмент призначений для ручного використання. Цей рубанок призначений виключно для побутового використання.

## Інструкції з техніки безпеки

### Загальні правила безпеки при використанні електроінструмента



**Попередження! Перед використанням інструмента прочитайте всі попередження та інструкції з техніки безпеки.** Невиконання наведених нижче попереджень та інструкцій може призвести до ураження електричним струмом, пожежі та / або серйозних травм.

**Збережіть всі попередження та інструкції для подальшого використання.** Термін „електроінструмент“ в усіх наведених нижче попередженнях означає інструмент, який живиться від електромережі через кабель живлення або від акумуляторів (без кабелю).

#### 1. Безпека робочої зони

- a. **Тримайте робочу зону чистою та добре освітленою.** Невпорядкованість та недостатнє освітлення робочі зони збільшують ймовірність нещасного випадку.
  - b. **Не користуйтеся електроінструментом у вибухонебезпечному оточенні, наприклад, в присутності вогнебезпечних рідин, газів та пилу.** Електроінструмент є джерелом іскор, від яких може спалахнути пил або випари.
  - c. **Під час роботи з електроінструментом не допускайте присутності у зоні виконання робіт дітей та сторонніх осіб.** Відвернення уваги може призвести до неконтрольованих ситуацій.
2. **Електрична безпека**
- a. **Штепсельна вилка електроінструмента має відповідати розетці.** Забороняється вносити будь-які зміни у конструкцію штепсельної вилки. **Не використовуйте жодних перехідників живлення з електроінструментом, який обладнаний заземленням.** Штепсельні вилки належної конструкції без жодних модифікацій та відповідні розетки зменшують ризик ураження електричним струмом.

- b. **Уникайте контакту тіла з заземленими поверхнями, зокрема: трубами, радіаторами, кухонними плитами та холодильниками.** Контакт тіла людини з заземленим об'єктом збільшує ризик ураження електричним струмом.
  - c. **Не залишайте електроінструмент під дощем або в умовах підвищеної вологості.** Потрапання води в електроінструмент збільшує ризик ураження електричним струмом.
  - d. **Використовуйте кабель живлення виключно за призначенням.** **Забороняється переносити або тягнути електроінструмент за кабель живлення, а також витягувати штепсельну вилку з розетки за кабель.** **Не піддавайте кабель живлення впливу високих температур, мастил, уникайте його контакту з гострими крайками та рухомими деталями.** Пошкоджений або перекручений кабель живлення збільшує ризик ураження електричним струмом.
  - e. **При роботі з електроінструментом поза приміщенням застосовуйте подовжувач кабелю живлення, який призначений для надвірних умов використання.** Застосування кабелю живлення, який підходить до надвірних умов використання, зменшує ризик ураження електричним струмом.
  - f. **Якщо неможливо уникнути використання електроінструмента в умовах підвищеної вологості, необхідно застосовувати захисний автоматичний вимикач, який спрацьовує від струму спливу.** Використання такого автоматичного вимикача зменшує ризик ураження електричним струмом.
3. **Особиста безпека**
- a. **Під час роботи з електроінструментом будьте уважні, слідкуйте за ходом роботи та керуйтеся здоровим глуздом.** **Забороняється використовувати електроінструмент у стані втоми, під впливом наркотичних речовин, алкоголю або ліків.** Навіть миттєва втрата уваги під час роботи з електроінструментом може призвести до серйозних травм.
  - b. **Застосовуйте засоби особистої безпеки. Завжди застосовуйте засоби захисту очей.** Застосування у відповідних умовах

- захисних засобів, зокрема: протипилової маски, захисного взуття з неслизькою підошвою, каски та засобів захисту органів слуху зменшує ймовірність травматизму.
- c. **Запобігання неумисному увімкненню електроінструмента. Перед тим, як брати електроінструмент в руки, переносити його або підключати до мережі живлення та / або акумулятора, впевніться, що вимикач електроінструмента встановлений у положення „Вимкн“.** Перенесення електроінструмента у положенні, при якому палець знаходиться на вимикачі, або підключення живлення до електроінструмента, вимикач якого встановлений у положення „Увімкн.“, збільшує ймовірність нещасних випадків.
  - d. **Перед тим, як вмикати електроінструмент, звільніть його від будь-якого приладдя, що використовувалося для налаштування, та гайкових ключів.** Гайковий ключ, що залишився приєднаним до будь-якої обертової деталі електроінструмента, може стати причиною травматизму.
  - e. **Не перенапружуйтеся. Завжди дотримуйтесь належної постановки ніг і стійкої рівноваги.** Під час роботи з електроінструментом це сприяє більш ефективному реагуванню на непередбачувані ситуації.
  - f. **Вдягайте відповідний робочий одяг. Одяг повинен відповідати статурі, на ньому не повинно бути звислих елементів. Під час роботи не носіть біжутерії. Слідкуйте, щоб волосся, деталі одягу та робочі рукавиці не наближались до рухомих частин інструмента.** Рухомі частини інструмента можуть захопити звислі елементи одягу, біжутерію та довге волосся.
  - g. **Якщо застосовується обладнання, яке підключає засоби видалення та збирання пилу, необхідно впевнитися, що воно приєднане та використовується належним чином.** Використання обладнання для збирання пилу зменшує пов'язану з пилом потенційну небезпеку.
4. **Використання електроінструмента та догляд за ним**
    - a. **При роботі з електроінструментом не докладайте надмірних зусиль. Використовуйте електроінструмент, який відповідає варіанту застосування.** Використання електроінструмента з відповідними номінальними параметрами дозволяє виконати роботу краще і підвищує рівень безпеки праці.
    - b. **Забороняється використовувати електроінструмент з несправним вимикачем.** Будь-який електроінструмент з несправним вимикачем є небезпечним і підлягає ремонту.
    - c. **Перед будь-яким налаштуванням електроінструмента, заміни приладдя, а також при підготовці до зберігання необхідно від'єднати штепсельну вилку від мережі живлення та / або вийняти акумулятор.** Ці запобіжні заходи зменшують ризик випадкового увімкнення електроінструмента.
    - d. **Зберігайте електроінструмент у знеструмленому стані у місцях, до яких не мають доступу діти. Не дозволяйте працювати з електроінструментом особам, які не мають навичок його використання або не ознайомлені з цим посібником користувача.** Використання електроінструмента особами, які не мають відповідних навичок та знань, є небезпечним.
    - e. **Виконуйте технічне обслуговування електроінструмента. Електроінструмент необхідно перевіряти на відсутність перекосу або затинання рухомих деталей, ушкоджених частин та інших факторів, які можуть негативно впливати на його роботу. Якщо виявлено ушкодження, електроінструмент перед використанням необхідно відремонтувати.** Неналежний технічний стан електроінструмента спричинює значну кількість нещасних випадків.
    - f. **Слідкуйте за гостротою стругальних лез та тримайте їх у чистоті.** Належний технічний стан та гострі леза ріжучого інструмента зменшують ймовірність того, що він застрягне, та полегшують керування ним.
    - g. **Використовуйте електроінструмент, додаткове приладдя, змінні деталі інструмента, тощо у відповідності до цього посібника користувача, враховуючи умови використання та роботу, яка має бути виконана.** Використання електроінструмента не

за призначенням може призвести до виникнення небезпечних ситуацій.

## 5. Технічне обслуговування

- a. Технічне обслуговування електроінструмента має виконувати кваліфікований фахівець. Запасні частини мають бути повністю ідентичними тим, які первісно встановлені виробником. Це забезпечить підтримання безпечного стану електроінструмента.**

### Додаткові правила безпеки при використанні електроінструмента



**Попередження!** Додаткові попередження з техніки безпеки при використанні електрорубанка

- ◆ При виконанні робіт, під час яких існує небезпека контакту ріжучих лез з прихованою електропроводкою або кабелем живлення самого інструмента, тримайте рубанок тільки за призначені для цього місця з ізольованою поверхнею. Контакт стругальних лез з дротом під напругою може призвести до появи напруги на металевих деталях електроінструмента та ураження оператора електричним струмом.
  - ◆ Деталь, яка обробляється, має бути зафіксована у лещатах або іншим відповідним способом закріплена на надійній основі. Утримування деталі, яка обробляється, рукою або притискання її до тіла є ненадійним і може призвести до неконтрольованої ситуації.
  - ◆ Перед тим, як ставити рубанок на підставку, зачекайте доки зупиниться стругальний механізм. Доки стругальний механізм рубанка не зупинився, існує ризик пошкодження підставки та виникнення неконтрольованої ситуації і серйозних травм.
  - ◆ Підтримуйте стругальні леза у гострому стані. Затуплені або пошкоджені стругальні леза можуть бути причиною відхилення рубанка від лінії руху та затинання під навантаженням. Використовуйте з електрорубанком тільки стругальні леза відповідного типу.
  - ◆ Не торкайтесь деталі або стругальних лез відразу після використання інструмента. Вони можуть бути дуже гарячими.
  - ◆ Деталь перед струганням необхідно звільнити від цвяхів та інших металевих об'єктів.
  - ◆ Завжди тримайте рубанок обома руками за призначені для цього ручки.
  - ◆ Якщо на кабелі живлення є пошкодження або порізи, його необхідно негайно від'єднати від мережі живлення.
- Попередження!** Потрапляння на тіло або вдихання пилу, що утворюється при струганні рубанком, може бути небезпечним для здоров'я користувача та осіб, які можуть знаходитися поряд. Необхідно вдягати протипилову маску, яка призначена спеціально для захисту від пилу та випаровувань, та слідкувати за тим, щоб інші особи, які знаходяться у робочій зоні або входять до неї, також застосовували захисні засоби.
- ◆ Цей інструмент не призначений для використання особами з обмеженими фізичними можливостями (зокрема, дітьми), а також особами з порушенням органів чуття, обмеженими розумовими здібностями, або такими, які мають недостатній досвід та знання, за винятком ситуацій, коли вони працюють під наглядом іншої особи, відповідальної за їхню безпеку, або отримали від такої особи відповідні інструкції щодо використання електроінструмента. Не дозволяйте дітям гратися з електроінструментом.
  - ◆ У цьому посібнику користувача описані варіанти використання за призначенням. Використання аксесуарів, приладдя або виконання будь-яких робіт з цим інструментом окрім тих, що зазначені у цьому посібнику користувача, може бути причиною травматизму та / або пошкодження майна.
- Безпека інших осіб**
- ◆ Цей інструмент не призначений для використання особами з обмеженими фізичними можливостями (зокрема дітьми), а також особами з порушенням органів чуття, обмеженими розумовими здібностями, або такими, які мають недостатній досвід та знання, за винятком ситуацій, коли вони працюють під наглядом іншої особи, відповідальної за їхню безпеку, або отримали від такої особи відповідні інструкції щодо використання електроінструмента.
  - ◆ Не дозволяйте дітям гратися з електроінструментом.

### Вібрація

Значення параметрів вібрації, які наведені в технічних даних та в декларації відповідності, вимірювалися у відповідності до стандартної методики тестування, викладеної у EN 60745.

Ці параметри можна використовувати для порівняння різних інструментів між собою. Наведені значення вібраційних параметрів можна також використовувати для попередньої оцінки впливу вібрації.

**Попередження!** Рівень вібрації залежить від варіанта використання електроінструмента і може відрізнятись від наведених даних. Рівень вібрації може перевищувати наведене значення.

Оцінюючи вплив вібрації з метою визначення заходів безпеки згідно вимог 2002/44/ЕС щодо захисту працівників, які регулярно працюють з електроінструментом, необхідно брати до уваги реальні умови та способи використання цього інструмента, зокрема враховувати всі періоди робочого циклу його використання, наприклад, проміжки часу, коли інструмент вимкнений або працює без навантаження, а також час реальної роботи інструмента.

### Позначки та написи на інструменті

На інструменті є подані нижче піктограми:



**Попередження!** Користувач має прочитати цей посібник, це сприяє зменшенню ризику травматизму.

### Електрична безпека



Рубанок має подвійну ізоляцію; тому заземлення не є необхідним. Завжди перевіряйте відповідність напруги джерела живлення значенню, поданому на табличці з паспортними даними.

- ◆ Якщо кабель живлення пошкоджений, для уникнення небезпеки його необхідно замінити у виробника або в авторизованому сервісному центрі Black & Decker.

### Деталі

Цей інструмент має деякі чи всі наведені нижче деталі.

1. Перемикач „Увімкн.“ / „Вимкн“
2. Кнопка блокування
3. Патрубок для виходу стружки
4. Поворотний регулятор глибини стругання
5. Шкала глибини стругання

### Складання електроінструмента

**Попередження!** Перед складанням переконайтеся, що інструмент вимкнений, а штепсельна вилка витягнута з розетки.

### Заміна стругальних лез (мал. А)

Стругальні леза, які входять до комплекту рубанка, загострені з обох сторін. Придбати змінні стругальні леза можна у місцевій торгівельній мережі роздрібного продажу.

### Зняття стругальних лез

- ◆ Послабте затягнення болтів (6), використовуючи гайковий ключ, який входить до комплекту рубанка.
- ◆ Витягніть лезо (7) з тримача.
- ◆ Вставте лезо зворотню стороною, так щоб пруг, який ще не використовувався, став робочим. Якщо обидві сторони зношені, лезо необхідно замінити.

### Встановлення стругальних лез

- ◆ Вставте лезо у тримач до упору.
- ◆ Затягніть болти (6), використовуючи гайковий ключ, який входить до комплекту рубанка.

**Попередження!** Завжди замінюйте обидва леза одночасно.

### Регулювання глибини стругання (мал. В)

Позначка (8) показує глибину стругання. Шкала (5) відображає діапазон регулювання.

- ◆ Поворотним регулятором (4) виставте необхідну глибину стругання.
- ◆ Закінчивши роботу з рубанком, завжди виставляйте поворотний регулятор у положення „Р“.

### Модель KW712KA. Встановлення та зняття паралельної напрямної (мал. С)

Паралельна напрямна використовується для оптимального керування рубанком при обробці вузьких деталей.

- ◆ Послабте затягнення фіксатора (9).
- ◆ Вставте паралельну напрямну (11) у отвір (10).
- ◆ Відрегулюйте необхідне положення паралельної напрямної.
- ◆ Затягніть фіксатор.
- ◆ Щоб зняти паралельну напрямну, виконайте подані вище дії у зворотній послідовності.

### Підключення пиლოსосу до інструмента (мал. D)

Пилосос або пристрій для видалення пилу підключаються до інструмента за

допомогою перехідника. Перехідник можна придбати в місцевих магазинах, які торгують інструментами виробництва компанії Black & Decker.

- ◆ Насадіть перехідник (12) на патрубок для виходу стружки (3).
- ◆ Підключіть шланг пілососа (13) до перехідника (11).

### Складання та встановлення приладдя для збирання стружки (мал. Е)

Пакет для збирання стружки особливо зручно застосовувати при роботі в приміщенні з обмеженим простором.

Перед першим застосуванням необхідно скласти приладдя для збирання стружки.

- ◆ Прикрутіть гвинтами (16) з шайбами (17) дротяні рамки (14) до з'єднувальної пластини (15).
- ◆ Натягніть мішок з тканини (18) на дротяні рамки, як зображено на малюнку. Еластичний край отвору мішка (19) має щільно облягати з'єднувальну пластину (15) по контуру.
- ◆ Насадіть горловину з'єднувальної пластини на патрубок для виходу стружки (3).

### Залишкові ризики.

Додаткові залишкові ризики можуть виникнути при використанні інструмента, який не включено до наведених попереджень з техніки безпеки. Ці ризики можуть виникнути через неналежне використання, тривале використання, тощо. Незважаючи на виконання всіх відповідних правил техніки безпеки та використання пристроїв безпеки, неможливо уникнути деяких залишкових ризиків. До них належать:

- ◆ Травми через контакт з деталями, що обертаються / рухаються.
- ◆ Травми, які виникають при заміні будь-яких частин, лез або приладдя.
- ◆ Травми через занадто тривале використання інструмента. При використанні будь-якого інструмента протягом тривалого періоду часу робіть регулярні перерви.
- ◆ Погіршення слуху.
- ◆ Небезпека для здоров'я через вдихання пилу, що утворюється при використанні інструмента (наприклад, при обробці деревини, особливо — дубу, берези та ДВП.)

### Використання рубанка

**Попередження!** Інструмент має працювати з нормальною швидкістю обертання. Не перевантажуйте його.

- ◆ Відрегулюйте глибину стругання.
- ◆ Якщо необхідно, прикріпіть паралельну напрямну та відрегулюйте її положення.

### Вмикання та вимикання рубанка

#### Вмикання рубанка

- ◆ Утримуючи натиснутою кнопку блокування (2), натисніть перемикач „Увімкн.“ / „Вимкн“ (1).
- ◆ Відпустіть кнопку блокування.

#### Вимикання рубанка

- ◆ Вимкніть рубанок перемикачем „Увімкн.“ / „Вимкн“.

### Стругання

- ◆ Поставте передню частину основи рубанка на поверхню деталі.
- ◆ Увімкніть рубанок.
- ◆ В процесі стругання просувайте рубанок рівномірно по прямій.
- ◆ Закінчивши прохід, вимкніть рубанок.

### Фальцювання (мал. F)

- ◆ Прикріпіть паралельну напрямну на відрегулюйте її положення. (тільки для моделі KW712KA)

- ◆ Далі дійте так, як в режимі стругання.

### Зняття фаски

Канавка з V-подібним профілем в передній частині основи рубанка дозволяє знімати фаску під кутом 45°.

- ◆ Тримавши рубанок так, щоб крайка деталі входила у канавку, виконайте робочий прохід.

### Видалення стружки з мішка

При використанні мішка для збирання стружки його необхідно періодично спорожнювати.

- ◆ Розстібніть мішок та видаліть з нього стружку.

### Примітки для оптимального використання

- ◆ Пересувajte рубанок за напрямком волокон деревини.
- ◆ Якщо напрямком волокон перехресний або звивистий, а також при обробці деталі з твердої деревини відрегулюйте глибину стругання так, щоб за один прохід рубанок

знімав дуже тонкий шар деревини, і виконуйте декілька проходів для досягнення бажаного результату.

- ◆ Щоб рубанок рухався по прямій лінії, на початку проходу притискайте донизу його передню частину, а на кінцевій ділянці — задню.

### Приладдя

Ефективність використання інструмента залежить від приладдя, яке використовується. Приладдя виробництва компаній Black & Decker та Piranha розроблене на рівні високих стандартів якості і призначене для підвищення ефективності використання інструмента. Використання цього приладдя дозволяє отримати найкращі результати при роботі з інструментом.

У місцевому роздрібній мережі можна придбати такі типи стругальних лез:

- Двосторонні стругальні леза з пругами з карбиду вольфраму (номер за каталогом X35007, продаються попарно)
- Двосторонні стругальні леза з швидкорізальної сталі (номер за каталогом X24192-XJ11, продаються попарно)

### Технічне обслуговування

Інструмент виробництва компанії Black & Decker призначений для роботи протягом довгого часу і вимагає мінімального обсягу технічного обслуговування. Тривала нормальна робота інструмента залежить від правильного догляду за ним та регулярного очищення.

**Попередження!** Перед проведенням технічного обслуговування вимкніть інструмент та від'єднайте його від розетки.

- ◆ Регулярно очищуйте вентиляційні отвори інструмента, використовуючи м'яку щітку або суху ганчірку.
- ◆ Регулярно очищуйте вологою ганчіркою корпус електродвигуна. Не використовуйте абразивні очищувачі та засоби, що містять розчинники.

### Заміна повідного паса (мал. G)

- ◆ Послабте затягнення гвинтів (20) і зніміть кришку (21).
- ◆ Зніміть старий повідний пас.
- ◆ Надіньте новий пас (22) на шків. Спочатку пас надівають на більший шків (23), потім — на менший шків (24), прокручуючи при цьому пас вручну.

- ◆ Встановіть на місце кришку та затягніть гвинти.

### Заміна штепсельної вилки (тільки для Великобританії та Ірландії)

Якщо необхідно підключити нову штепсельну вилку:

- ◆ Зніміть стару штепсельну вилку, дотримуючись техніки безпеки.
- ◆ Підключіть коричневий провід до фазного контакту штепсельної вилки.
- ◆ Підключіть синій провід до нейтрального контакту.

**Попередження!** До контакту заземлення не повинен бути підключений жоден провід. Дотримуйтесь інструкцій щодо підключення, які постачаються з якісними штепсельними вилками. Рекомендований номінал токового запобіжника: 5 А.

### Захист навколишнього середовища



Роздільна утилізація відходів. При утилізації цей виріб не можна викидати разом зі звичайним побутовим сміттям.

У випадку заміни виробу Black & Decker, або якщо він став непотрібним, не викидайте його разом з побутовим сміттям. Здайте цей виріб до центру роздільної утилізації відходів.



Роздільна утилізація використаних виробів та упаковки дозволяє здійснювати вторинну переробку та використання матеріалів. Вторинна переробка матеріалів сприяє зменшенню забруднення навколишнього середовища та потреб у сировині.

Місцеві законодавчі акти можуть передбачати роздільну утилізацію побутового електричного обладнання в місцях збирання побутових відходів або у місцях продажу нового обладнання.

Компанія Black & Decker надає можливість збирати та вторинно переробляти вироби власного виробництва після закінчення їхнього терміну служби. Щоб скористатися цією можливістю, здайте виріб до будь-якого авторизованого сервісного центру, які за дорученням виробника збирають їх.

Дізнатися про місце розташування найближчого сервісного центру можна у місцевому представництві компанії Black & Decker за адресою, поданою у цьому посібнику користувача. Крім того, перелік



авторизованих сервісних центрів компанії Black & Decker з детальною інформацією щодо післяпродажного обслуговування та контактними даними доступний в Інтернеті на сайті: [www.2helpU.com](http://www.2helpU.com)

**Технічні дані**

		KW712/KW712KA ТИП2
Вхідна напруга	Взмінн. струму	230
Споживана потужність	Вт	650
Швидкість обертання в режимі без навантаження	об. / хв.	17 000
Ширина стругання	мм	82
Глибина стругання	мм	2
Глибина фальцювання	мм	8
Вага	кг	3

**Загальні значення вібрації (векторна сума трьох векторів) згідно з EN 60745:**

Рівень вібрації ( $a_w$ ) 2,6 м/с<sup>2</sup>, похибка (К) 1,5 м/с<sup>2</sup>

Рівень звукового тиску згідно з EN 60745:  
Звуковий тиск ( $L_{pA}$ ) 90 дБ(А), похибка (К) 3 дБ(А), Звукова потужність ( $L_{WA}$ ) 105 дБ(А), похибка (К) 3 дБ(А)

**Декларація відповідності ЄС**  
ДИРЕКТИВА ДЛЯ МЕХАНІЧНОГО  
ОБЛАДНАННЯ



KW712/KW712KA

Компанія Black & Decker заявляє, що вироби, описані в розділі „Технічні дані“ відповідають вимогам директив: 2006/42/ЕС, EN 60745-1, EN 60745-2-14.

Для отримання додаткової інформації, будь ласка, зверніться до компанії Black & Decker за поданою нижче адресою або прочитайте інформацію на зворотній стороні цього посібника користувача.

Особа, яка поставила свій підпис нижче, є відповідальною за упорядкування файлу технічних характеристик та за цю декларацію компанії Black & Decker.

Кевін Хьюїт (Kevin Hewitt)  
Віце-президент  
з глобальних розробок  
Black & Decker Europe,  
210 Bath Road, Slough,  
Berkshire, SL1 3YD  
Великобританія  
17-02-2010

**Гарантія**

Компанія Black & Decker впевнена в якості своєї продукції та пропонує чудові умови гарантії. Ці гарантійні умови є додатковими і жодним чином не обмежують законних прав користувача. Ця гарантія діє на території країн-членів Європейського Союзу та в європейській зоні вільної торгівлі.

Якщо продукт Black & Decker стає несправним через неякісні матеріали, конструкцію або невідповідність вимогам протягом 24 місяців з дня придбання, компанія Black & Decker гарантує заміну несправних деталей, ремонт виробів з нормальним зношенням, або заміну таких виробів для забезпечення мінімальних незручностей для споживачів, за винятком випадків, коли:

- ◆ Виріб використовувався в професійних цілях та об'ємах, в комерційних цілях;
- ◆ Виріб використовувався не за призначенням або не обслуговувався;
- ◆ Виріб зазнав механічних пошкоджень, викликаних зовнішніми предметами, речовинами або іншим впливом;

## УКРАЇНСЬКА

- ◆ Виріб намагалися відремонтувати особи, які не є працівниками офіційного сервісного центру або персоналом з ремонту компанії Black & Decker.

Щоб отримати гарантійне обслуговування, необхідно надати доказ покупки продавцеві або агенту з ремонту. Ви можете знайти місцезнаходження найближчого до Вас сервісного центру, зв'язавшись з місцевим офісом компанії Black & Decker за адресою, вказаною в цьому посібнику користувача. Крім того, перелік авторизованих сервісних центрів компанії Black & Decker з детальною інформацією щодо післяпродажного обслуговування та контактними даними доступний в Інтернеті на сайті:

**[www.2helpU.com](http://www.2helpU.com)**

Запрошуємо відвідати сайт компанії-виробника **[www.blackanddecker.co.uk](http://www.blackanddecker.co.uk)**, щоб зареєструвати придбаний новий виріб Black & Decker та отримати свіжу інформацію про нові продукти та спеціальні пропозиції. Для отримання додаткової інформації про торгову марку та продукцію Black & Decker відвідайте сайт компанії **[www.blackanddecker.co.uk](http://www.blackanddecker.co.uk)**

## БЛЕК ЕНД ДЕККЕР

гарантійні умови

Шановний покупцю!

1. Вітаємо Вас з покупкою високоякісного виробу компанії Black & Decker та висловлюємо Вам свою вдячність за Ваш вибір.
- 1.1. Надійна робота цього виробу на протязі всього терміну експлуатації є предметом особливої турботи наших сервісних служб. У випадку виникнення будь-яких проблем в процесі експлуатації виробу ми рекомендуємо Вам звертатися лише до авторизованих сервісних організацій, адреси та телефони яких Ви зможете знайти в Гарантійному талоні або дізнатися в магазині.  
Наші сервісні центри – це не тільки кваліфікований ремонт, але і широкий вибір запчастин та аксесуарів.
- 1.2. При купівлі виробу вимагайте перевірки його комплектності та справності за Вашої присутності, наявності інструкції з експлуатації та заповненого Гарантійного талону на українській мові. За умови відсутності у Вас правильно заповненого Гарантійного талону ми будемо вимушені відхилити Ваші претензії щодо якості цього виробу.
- 1.3. Щоб уникнути всіх непорозумінь наполегливо просимо Вас перед початком роботи з виробом уважно ознайомитись з інструкцією щодо його експлуатації.
- 1.4. Звертаємо Вашу увагу на виключно побутове призначення цього виробу.
2. Правовою основою даних гарантійних умов є діюче Законодавство та, зокрема, Закон "Про захист прав споживачів".
3. Гарантійний термін на даний виріб складає 24 місяці та починається з дня продажу через роздрібну торгову мережу. У випадку усунення недоліків виробу гарантійний термін подовжується на період, протягом якого виріб не використовувався.
4. Термін служби виробу - 5 років (мінімальний, встановлений у відповідності до Закону "Про захист прав споживачів").
5. Наші гарантійні зобов'язання поширюються тільки на несправності, виявлені протягом гарантійного терміну та обумовлені виробничими та конструктивними факторами.
6. Гарантійні зобов'язання не поширюються:
- 6.1. На несправності виробу, що виникли в результаті:
  - 6.1.1. Недотримання користувачем вказівок інструкції з експлуатації виробу.
  - 6.1.2. Механічних пошкоджень, викликаних зовнішнім ударним або іншим впливом.
  - 6.1.3. Використання виробу в професійних цілях та об'ємах, в комерційних цілях.
  - 6.1.4. Застосування виробу не за призначенням.
  - 6.1.5. Стихійного лиха.

- 6.1.6. Неприятливому атмосферному та інших зовнішніх впливах на виріб, таких як дощ, сніг, підвищена вологість, нагрів, агресивні середовища, невідповідність параметрів електромережі параметрам, вказаним на інструменті.
- 6.1.7. Використання аксесуарів, витратних матеріалів та запчастин, які не рекомендовані або не схвалені виробником.
- 6.1.8. Проникнення всередину інструменту сторонніх предметів, комах, матеріалів або речовин, що не є відходами, які супроводжують використання інструменту за призначенням, наприклад, стружки, опилки та ін.
- 6.2. На інструменти, що були відкриті, піддані ремонту або модифікації поза уповноваженим сервісним центром.
- 6.3. На принадлежності, запчастини, що вийшли з ладу внаслідок нормального зносу, та витратні матеріали, такі як, приводні ремені, вугільні щітки, ножі, та ін.
- 6.4. На несправності, які виникли в результаті перевантаження інструменту, що призвело до виходу з ладу електродвигуна або інших вузлів та деталей. До безумовних ознак перевантаження виробу належать, зокрема: поява кольорів мінливості, деформація або оплавлення деталей та вузлів виробу, потемніння або обвуглювання ізоляції дротів електродвигуна під впливом високої температури.



Виробник:

"Stanley Black & Decker Deutschland GmbH" Black-&-Decker Str.40, D-65510 Idstein, Німеччина

## Kullanım amacı

Black & Decker planyanız ahşap, ahşap ürünleri ve plastik kesmek için tasarlanmıştır. Alet elle kullanım amaçlıdır. Bu alet sadece hafif hizmet ve hobi kullanımını içindir.

## Güvenlik talimatları

### Genel elektrikli alet güvenlik uyarıları



**Uyarı! Bütün güvenlik uyarılarını ve talimatlarını mutlaka okuyun.** Aşağıda yer alan uyarılar ve talimatların herhangi birisine uyulmaması elektrik çarpması, yangın ve/veya ciddi yaralanma riskine neden olabilir.

**Bütün uyarı ve güvenlik talimatlarını ileride bakmak üzere saklayın.** Aşağıda yer alan uyarılardaki «elektrikli alet» terimi şebeke elektrikle (kablolu) veya akü/pille (şarjlı) çalışan elektrikli aletinizi ifade etmektedir.

#### 1. Çalışma alanının güvenliği

##### a. Çalışma alanını temiz ve aydınlık tutun.

Karışık veya karanlık alanlar kazaya davetiye çıkarır.

##### b. Elektrikli aletleri, yanıcı sıvılar, gazlar ve tozların bulunduğu yerler gibi yanıcı ortamlarda çalıştırmayın.

Elektrikli aletler, toz veya dumanları ateşleyebilecek kıvılcımlar çıkarır.

##### c. Bir elektrikli aleti çalıştırırken çocuklardan ve etraftaki kişilerden uzak tutun.

Dikkatinizi dağıtıcı şeyler kontrolü kaybetmenize neden olabilir.

#### 2. Elektrik güvenliği

##### a. Elektrikli aletlerin fişleri prizlere uygun olmalıdır.

Fiş üzerinde kesinlikle hiçbir değişiklik yapmayın. Topraklı elektrikli aletlerde hiçbir adaptör fişi kullanmayın. Değiştirilmemiş fişler ve uygun prizler elektrik çarpması riskini azaltacaktır.

##### b. Borular, radyatörler, ocaklar ve buzdolapları gibi topraklanmamış yüzeylerle vücut temasından kaçının.

Vücudunuzun topraklanması halinde yüksek bir elektrik çarpması riski vardır.

##### c. Elektrikli aletleri yağmura maruz bırakmayın veya ıslatmayın.

Elektrikli alete su girmesi elektrik çarpması riskini arttıracaktır.

##### d. Elektrik kablosunu uygun olmayan amaçlarla kullanmayın.

Elektrikli aleti kesinlikle kablosundan tutarak taşımayın, çekmeyin veya prizden çıkartmayın.

### Kabloyu sıcaktan, yağdan, keskin

kenarlardan veya hareketli parçalardan uzak tutun. Hasarlı veya dolaşmış kablolar elektrik çarpması riskini artırır.

#### e. Elektrikli bir aleti açık havada

çalıştırıyorsanız, açık havada kullanıma uygun bir uzatma kablosu kullanın.

Açık havada kullanıma uygun bir kablunun kullanılması elektrik çarpması riskini azaltır.

#### f. Eğer bir elektrikli aletin nemli bir bölgede

çalıştırılması zorunluysa, bir artık akım aygıtı (RCD) korumalı bir kaynak kullanın.

Bir RCD kullanılması elektrik şoku riskini azaltır.

#### 3. Kişisel güvenlik

##### a. Elektrikli bir aleti kullanırken her zaman

dikkatli olun, yaptığınızı işe yoğunlaşın ve sağduyulu davranın. Elektrikli bir aleti yorgunken veya ilaç ya da alkolün etkisi altındayken kullanmayın. Elektrikli aletleri kullanırken bir anlık dikkatsizlik ciddi kişisel yaralanmayla sonuçlanabilir.

##### b. Kişisel koruyucu ekipmanları mutlaka kullanın. Daima koruyucu gözlük takın.

Koşullara uygun toz maskesi, kaymayan güvenlik ayakkabıları, baret veya kulaklık gibi koruyucu donanımların kullanılması kişisel yaralanmaları azaltacaktır.

##### c. İstem dışı çalıştırılmasını önleyin. Cihazı

güç kaynağına ve/veya aküye bağlamadan, yerden kaldırmadan veya taşımadan önce düğmenin kapalı konumda olduğundan emin olun. Aleti, parmağınız düğme üzerinde bulunacak şekilde taşımak veya açık konumdaki elektrikli aletleri elektrik şebekesine bağlamak kazaya davetiye çıkarır.

##### d. Elektrikli aleti açmadan önce tüm ayarlama

anahtarlarını çıkartın. Elektrikli aletin hareketli bir parçasına takılı kalmış bir anahtar kişisel yaralanmaya neden olabilir.

##### e. Ulaşmakta zorlandığınız yerlerde

kullanmayın. Daima sağlam ve dengeli basın. Bu, beklenmedik durumlarda elektrikli aletin daha iyi kontrol edilmesine olanak tanır.

##### f. Uygun şekilde giyinin. Bol elbiseler

giymeyin ve takı takmayın. Saçınızı, elbiselerinizi ve eldivenlerinizi hareketli parçalardan uzak tutun. Bol elbiseler ve takılar veya uzun saç hareketli parçalara takılabilir.

##### g. Eğer kullandığınız üründe toz emme ve

toplama özellikleri olan ataşmanlar varsa bunların bağlı olduğundan ve doğru şekilde kullanıldığından emin olun. Bu toz toplama

ataşmanların kullanılması tozla ilgili tehlikeleri azaltabilir.

4. **Elektrikli aletlerin kullanımı ve bakımı**
  - a. **Elektrikli aleti zorlamayın. Uygulamanız için doğru elektrikli aleti kullanın.** Doğru elektrikli alet, belirlendiği kapasite ayarında kullanıldığında daha iyi ve güvenli çalışacaktır.
  - b. **Düğme açmıyor ve kapatmıyorsa elektrikli aleti kullanmayın.** Düğmeyle kontrol edilemeyen tüm elektrikli aletler tehlikelidir ve tamir edilmesi gerekmektedir.
  - c. **Herhangi bir ayarlama, aksesuar değişimi veya elektrikli aletlerin saklanması öncesinde fişi güç kaynağından çekin ve/veya aküyü elektrikli aletten ayırın.** Bu tür önleyici güvenlik tedbirleri aletin istem dışı olarak çalıştırılması riskini azaltacaktır.
  - d. **Elektrikli aleti, çocukların ulaşamayacağı yerlerde saklayın ve elektrikli aleti tanımayan veya bu talimatları bilmeyen kişilerin elektrikli aleti kullanmasına izin vermeyin.** Elektrikli aletler, eğitimsiz kullanıcıların elinde tehlikelidir.
  - e. **Elektrikli aletleri iyi durumda muhafaza edin. Hareketli parçalardaki hizalama hatalarını ve tutuklukları, parçalardaki kırılmalar ve elektrikli aletin çalışmasını etkileyebilecek tüm diğer koşulları kontrol edin. Hasarlı ise, elektrikli aleti kullanmadan önce tamir ettirin.** Kazaların çoğu, elektrikli aletlerin bakımının yeterli şekilde yapılmamasından kaynaklanır.
  - f. **Kesim aletlerini keskin ve temiz tutun.** Bakımı uygun şekilde yapılmış keskin kesim uçlu kesim aletlerinin sıkışma ihtimali daha düşüktür ve kontrol edilmesi daha kolaydır.
  - g. **Elektrikli aleti, aksesuarlarını ve aletin diğer parçalarını kullanırken bu talimatlara mutlaka uyun ve çalışma ortamının koşullarını ve yapılacak işin ne olduğunu göz önünde bulundurun.** Elektrikli aletin öngörülen işlemler dışındaki işlemler için kullanılması tehlikeli durumlara neden olabilir.
5. **Servis**
  - a. **Elektrikli aletinizi, sadece orijinal yedek parçaların kullanıldığı yetkili servise tamir ettirin.** Bu, elektrikli aletin güvenliğinin muhafaza edilmesini sağlayacaktır.

#### Elektrikli el aletleri için ek güvenlik talimatları



**Uyarı!** Planyalar için ek güvenlik talimatları

- ◆ **Kesme aksesuarının gizli kabloları veya kendi kablosuna temas edebileceği yerlerde çalışma yaparken elektrikli aleti yalıtımlı kavrama yüzeylerinden tutun.** Kesme aksesuarının «akım taşıyan» bir kabloya temas etmesi durumunda elektrikli aletin metal kısımları da «akım taşıyor» hale gelecek ve kullanıcının çarpılmasına neden olabilir.
  - ◆ **Üzerinde çalıştığınız parçayı sabitlemek ve desteklemek için kelepçeler veya başka pratik yöntemler kullanın.** Parçayı elle veya vücudunuza dayamanız dengesiz durmasına neden olacaktır ve aletin kontrolünü kaybetmenize yol açabilir.
  - ◆ **Aleti, bıçaklar tamamen durduktan sonra yere bırakınız.** Açıkta kalan bıçak yüzey ile temas ederek kontrol kaybına ve ciddi yaralanmaya neden olabilir.
  - ◆ **Bıçakları keskin tutun.** Körelmiş veya hasarlı bıçaklar planyanın yük altında kesme yolundan sapmasına veya aniden durmasına neden olabilir. Her zaman alete uygun tipte bıçak kullanın.
  - ◆ **Aletle çalıştıktan sonra çalışma parçası veya bıçağa dokunmayın.** Çok sıcak olabilirler.
  - ◆ **Rendelenmeden önce üzerinde çalışılacak parçadan tüm çiviler ve metal nesnelere temizlenmelidir.**
  - ◆ **Aleti her zaman eki elinizle ve tutma saplarından tutun.**
  - ◆ **Kablo hasar görmüş veya kesilmişse, anında prizden çekin.**
- Uyarı!** Rendelenme uygulamaları nedeniyle açığa çıkan tozla temas operatörün ve çevrede bulunanların sağlığını tehlikeye atabilir. Toz ve dumanlara karşı korunma için özel olarak tasarlanmış bir toz maskesi kullanın ve çalışma alanına giren veya bu alanda bulunan kişilerin de korunduğundan emin olun.
- ◆ **Bu alet fiziksel ve zihinsel kapasitesinin yanı sıra algılama gücü azalmış olan veya yeterince deneyim ve bilgisi bulunmayan kişiler (çocuklar dahil) tarafından kullanılmak üzere üretilmemiştir.** Bu tür kişiler aleti ancak güvenliklerinden sorumlu bir kişi tarafından cihazın kullanımıyla ilgili talimatların verilmesi veya sürekli kontrol altında tutulması durumunda kullanabilir. Çocuklar, aletle oynamalarını önlemek amacıyla kontrol altında tutulmalıdır.
  - ◆ **Kullanım amacı bu kullanım kılavuzunda açıklanmıştır.** Herhangi bir aksesuarın veya bağlantının ya da işlemin, bu kılavuzda tavsiye edilen şekilde başka bir şekilde kullanılması

## TÜRKÇE

şahısların yaralanmalarına ve/veya mal kaybına yol açabilir.

### Diğer kişilerin güvenliği

- ◆ Bu alet fiziksel ve zihinsel kapasitesinin yanı sıra algılama gücü azalmış olan veya yeterince deneyim ve bilgisi bulunmayan kişiler (çocuklar dahil) tarafından kullanılmak üzere üretilmemiştir. Bu tür kişiler aleti ancak güvenliklerinden sorumlu bir kişi tarafından cihazın kullanımıyla ilgili talimatların verilmesi veya sürekli kontrol altında tutulması durumunda kullanabilir.
- ◆ Çocuklar, aletle oynamalarını önlemek amacıyla kontrol altında tutulmalıdır.

### Titreşim

Teknik veriler ve uygunluk beyanatı içerisinde belirtilen titreşim emisyon değerleri EN60745 tarafından belirlenen standart bir test yöntemine uygun olarak ölçülmektedir ve diğer bir aletle karşılaştırma yaparken kullanılabilir. Beyan edilen titreşim emisyon değeri aynı zamanda maruz kalmanın önceden değerlendirilmesinde de kullanılabilir.

**Uyarı!** Elektrikli aletin mevcut kullanımı sırasındaki titreşim emisyon değeri, aletin kullanım yöntemine bağlı olarak, beyan edilen değere göre farklılık sergileyebilir. Titreşim düzeyi belirlenen seviyenin üzerinde artış gösterebilir.

İşyerinde düzenli olarak elektrikli alet kullanan çalışanları korumak amacıyla 2002/44/EC tarafından getirilen elektrik güvenliği önlemlerini belirlemek üzere titreşime maruz kalmayı değerlendirirken, çalışma döngüsü içerisinde örneğin aletin kapalı olduğu ve aktif durumda olmasının yanı sıra boşta çalıştığı zamanlar gibi, bütün zaman dilimleri dahil olmak üzere mevcut kullanım durumu ve aletin kullanım şekli göz önünde bulundurularak değerlendirilmelidir.

### Alet üzerindeki etiketler

Alet üzerinde, aşağıdaki uyarı sembolleri bulunmaktadır:



**Uyarı!** Yaralanma riskini en aza indirmek için kullanıcı kullanım talimatlarını mutlaka okumalıdır.

### Elektrik güvenliği



Bu alet çift yalıtımlıdır. Bu yüzden hiçbir topraklama kablosuna gerek yoktur. Her zaman şebeke geriliminin aletin üretim etiketinde belirlenmiş değerlere uyup uymadığını kontrol edin.

- ◆ Elektrik kablosu hasarlı ise, bir tehlike oluşmasını önlemek için üretici ya da yetkili Black & Decker Servis Merkezi tarafından değiştirilmelidir.

### Özellikler

bu alet, aşağıdaki özelliklerin bir kısmını veya tümünü içermektedir.

1. Açma/kapama düğmesi
2. Kesintisiz çalıştırma düğmesi
3. Talaş çıkışı
4. Kesme derinliği ayarlama kolu
5. Kesme derinliği derecelendirme

### Montaj

**Uyarı!** Montajdan önce aletin kapalı ve fişinin çekilmiş olduğundan emin olun.

### Kesme bıçaklarının değiştirilmesi (Şekil A)

Bu aletle verilen kesme bıçakları çift taraflıdır. Kesme bıçaklarının yenileri bölgenizdeki satıcıdan temin edilebilir.

### Çıkartılması

- ◆ Verilen somun anahtarını (6) kullanarak somunları gevşetin.
- ◆ Bıçağı, tutucunun (7) dışına doğru kaydırın.
- ◆ Bıçağı, kullanılmamış olan ağız ön tarafa gelecek şekilde çevirin. Eğer iki taraf da aşınmışsa, bıçak değiştirilmelidir.

### Takılması

- ◆ Bıçağı, en son noktaya dayanıncaya kadar tutucuya kaydırın.
- ◆ Verilen somun anahtarını (6) kullanarak somunları sıkın.

**Uyarı!** Her zaman her iki bıçağı da değiştirin.

### Kesme derinliğinin ayarlanması (Şekil B)

Kesme derinliği işaretle belirtilmiştir (8). Kesme derinliği derecelendirmeden okunabilir (5).

- ◆ Kesme derinliği ayarlama kolunu (4) çevirerek istenilen kesim derinliğine getirin.
- ◆ Alet kullanılmadığı zamanlarda, kolu «P» konumuna getirin.

### KW712KA Paralel kesme kılavuzunun sökülmesi ve takılması (Şekil C)

Paralel kesme kılavuzu, dar çalışma parçaları üzerinde optimum kontrol için kullanılır.

- ◆ Kilit tırnağını (9) gevşetin.
- ◆ Paralel kesme kılavuzunu (11) açıklıktan (10) geçirin.
- ◆ Paralel kesme kılavuzunu istediğiniz konuma kaydırın.
- ◆ Kilit tırnağını sıkın.



- ◆ Paralel kesme kılavuzunu çıkartmak için işlem sırasını tersten takip edin.

### Alete bir elektrikli süpürge bağlanması (Şekil D)

Alete elektrikli süpürge veya toz tahliye cihazı bağlamak için bir adaptör gereklidir. Bu adaptörü, bölgenizdeki Black & Decker bayiinden edinebilirsiniz.

- ◆ Adaptörü (12) talaş çıkışının (3) üzerine geçirin.
- ◆ Elektrikli süpürge hortumunu (13) adaptöre bağlayın.

### Talaş toplama torbasının kurulması ve takılması (Şekil E)

Talaş toplama torbası, özellikle kısıtlı alanlarda çalışırken kullanışlıdır.

İlk kullanım öncesinde, yonga toplama torbasını kurmanız gerekir.

- ◆ Kablo çerçevelerini (14) verilen vidaları (16) ve rondelaları (17) kullanarak bağlantı levhasına (15) takın.
- ◆ Bez torbayı (18) gösterdiği gibi çerçeve üzerinden geçirin. Elastiki ağzın (19) bağlantı levhasının (15) kenarlarının çevresine iyi oturduğundan emin olun.
- ◆ Bağlantı levhasını talaş çıkışının (3) üzerine geçirin.

### Diğer tehlikeler

Aletin kullanımıyla ilgili ekte sunulan güvenlik uyarılarına dahil olmayan ilave kalıcı riskler ortaya çıkabilir. Bu riskler, hatalı, uzun süreli kullanım vb. dolayısıyla ortaya çıkabilir.

Emniyet tedbirlerini düzenleyen yönetmeliğin uygulanmasına ve emniyet sağlayıcı aygıtların kullanılmasına rağmen, başka belirli risklerden kaçınılamaz. Bunlar:

- ◆ **Aletin dönen ve hareket eden parçalarına dokunma sonucu ortaya çıkan yaralanmalar.**
- ◆ **Herhangi bir parçayı, bıçak veya aksesuarı değiştirirken ortaya çıkan yaralanmalar.**
- ◆ **Aletin uzun süreli kullanılması sonucu ortaya çıkan yaralanmalar. Herhangi bir aleti uzun sürelerle kullanıyorsanız düzenli olarak çalışmanıza ara verin.**
- ◆ **Duyma bozukluğu.**
- ◆ **Aleti kullanırken ortaya çıkan tozun solunması sonucu ortaya çıkan sağlık sorunları (örnek: ahşapta çalışırken, özellikle meşe, akgürge ve MDF.)**

### Kullanımı

**Uyarı!** Aletin kendi hızında çalışmasına izin verin. Aşırı yüklenmeyin.

- ◆ Kesim derinliğini ayarlayın.
- ◆ Gerekirse, paralel kesme kılavuzunu takın ve ayarlayın.

### Açılması ve kapatılması

#### Açılması

- ◆ Kesintisiz çalıştırma düğmesini (2) basılı tutarak açma/kapama düğmesine (1) basın.
- ◆ Kesintisiz çalıştırma düğmesini bırakın.

#### Kapatılması

- ◆ Açma/kapama düğmesini (1) bırakın.

#### Kesme

- ◆ Aleti, iş parçasının üst yüzeyinde duran ayağın burun parçasıyla tutun.
- ◆ Aleti çalıştırın.
- ◆ Kesim vuruşunu gerçekleştirmek için aleti düzgün şekilde ileriye doğru hareket ettirin.
- ◆ Vuruş tamamlandıktan sonra aleti kapatın.

### Alçaltma (Şekil F)

- ◆ Paralel kesme kılavuzunu takın ve ayarlayın. (SADECE KW712KA)
- ◆ İşe, tesviyede olduğu gibi devam edin.

### Oluklu kenarlar

Ayağın burun ucundaki V-şekilli oluk 45° açılı oluklar açmanıza yardımcı olur.

- ◆ Aleti iş parçasının etrafındaki olukla açılı olarak tutun ve kesim vuruşunu gerçekleştirin.

### Talaş toplama torbasının boşaltılması

Talaş toplama torbası, kullanım sırasında düzenli olarak boşaltılmalıdır.

- ◆ Devam etmeden önce torbanın fermuarını açın ve boşaltın.

### Yararlı tavsiyeler

- ◆ Aleti, ahşabın dokusu ile uyumlu şekilde hareket ettirin.
- ◆ Dokular çapraz veya kıvrımlı ise, veya iş parçası sert bir ahşap türü ise, kesim derinliğini her geçişte yalnızca çok ince bir katman tesviye edecek şekilde ayarlayın ve istenilen sonucu elde etmek için daha fazla sayıda geçiş yapın.
- ◆ Aleti düz bir hat üzerinde tutmak için, aletin ön kısmını başlangıçta, arka kısmını ise vuruş sonunda aşağıya doğru bastırın.

### Aksesuarlar

Aletinizin performansını kullanılan aksesuara bağlıdır. Black & Decker ve Piranha aksesuarları, yüksek kalite standartlarına göre üretilmiş ve aletinizin performansını arttıracak şekilde

## TÜRKÇE

tasarlanmıştır. Bu aksesuarları kullanarak, aletinizden en iyi verimi alacaksınız.

Aşağıdaki kesme bıçağı tiplerini bölgenizdeki satıcıdan temin edilebilir.

- Tungsten karpit uçlu çift yönlü bıçaklar (parça no. X35007, çift olarak sunulmaktadır)
- Yüksek hızlı çelik çift yönlü bıçaklar (parça no. X24192-XJ11, çift olarak sunulmaktadır)

### Bakım

Aletiniz minimum bakımla uzun bir süre çalışacak şekilde tasarlanmıştır. Kesintisiz olarak memnuniyet verici bir şekilde çalışması gerekli özenin gösterilmesine ve düzenli temizliğe bağlıdır.

**Uyarı!** Bakımdan önce aletin kapalı ve fişinin çekilmiş olduğundan emin olun.

- ◆ Aletinizdeki havalandırma deliklerini yumuşak bir fırça veya kuru bir bezle düzenli olarak temizleyin.
- ◆ Motor muhafazasını düzenli olarak nemli bir bezle silin. Aşındırıcı veya çözücü bazlı temizleyiciler kullanmayın.

### Planya kayışının değiştirilmesi (Şekil G)

- ◆ Vidaları (20) gevşetin ve kapağı (21) kaldırın.
- ◆ Eski planya kayışını çıkarın.
- ◆ Yeni planya kayışını (22) makara üzerine geçirin. Kayışı, uygun şekilde elle çevirirken, önce geniş makara (23), ardından küçük makara (24) üzerinden geçirin.
- ◆ Kapağı yerine yerleştirip vidaları sıkın.

### Çevrenin korunması



Ayrı olarak atın. Bu ürün, normal evsel atıklarla birlikte atılmamalıdır.

Black & Decker ürününüzün değiştirilmesi gerektiğini düşünmeniz veya artık kullanılamaz durumda olması halinde onu, evsel atıklarla birlikte atmayın. Bu ürünü, ayrı olarak toplanacak şekilde atın.



Kullanılmış ürünlerin ve ambalajların ayrı olarak toplanması bu maddelerin geri dönüşüme sokularak yeniden kullanılmasına olanak tanır. Geri dönüşümlü maddelerin tekrar kullanılması çevre kirliliğinin önlenmesine yardımcı olur ve ham madde ihtiyacını azaltır.

Yerel yönetmelikler, elektrikli ürünlerin evlerden toplanıp belediye atık tesislerine aktarılması veya yeni bir ürün satın alırken perakende satıcı tarafından toplanması yönünde hükümler içerebilir.

Black & Decker, hizmet ömrünün sonuna ulaşan Black & Decker ürünlerinin toplanması ve geri dönüşüme sokulması için bir imkân sunmaktadır. Bu hizmetin avantajlarından faydalanmak için, lütfen, ürününüzü bizim adıma teslim alacak herhangi bir yetkili servise iade edin.

Bu kılavuzda belirtilen listeden size en yakın yetkili tamir servisinin yerini öğrenebilirsiniz. Ya da, alternatif olarak internet'ten Black & Decker yetkili tamir servislerinin listesini ve satış sonrası hizmetlerimizle ilgili tüm bilgiler ve temas bilgilerine aşağıdaki siteden ulaşabilirsiniz.

[www.2helpU.com](http://www.2helpU.com)

### Teknik özellikleri

	KW712/KW712KA TYPE2	
Giriş voltajı	V <sub>AC</sub>	230
Giriş gücü	W	650
Yüksüz hızı	dev/dak	17 000
Kesme genişliği	mm	82
Kesme derinliği	mm	2
Alçaltma derinliği	mm	8
Ağırlık	kg	3

### EN 60745'e göre tespit edilen toplam titreşim değerleri (üç yönün vektör toplamı):

Titreşim emisyon değeri (a<sub>v</sub>) 2,6 m/s<sup>2</sup>, belirsizlik (K) 1,5 m/s<sup>2</sup>

EN 60745'e göre ses basıncı düzeyi:

Ses basıncı (L<sub>pA</sub>) 90 dB(A), belirsizlik (K) 3 dB(A)  
Akustik güç (L<sub>WA</sub>) 105 dB(A), belirsizlik (K) 3 dB(A)

## AT Uygunluk Beyanatı MAKİNE DİREKTİFİ



KW712/KW712KA

Black & Decker, «teknik özellikleri» bölümünde açıklanan bu ürünlerin aşağıda belirtilen yönergelere uygun olduğunu beyan eder: 2006/42/EC, EN 60745-1, EN 60745-2-14

Daha fazla bilgi için, lütfen aşağıdaki adresten Black & Decker ile irtibata geçin veya kılavuzun arkasına bakın.

Bu belge altında imzası bulunan yetkili, teknik dosyanın derlenmesinden sorumludur ve bu beyanı Black & Decker adına vermiştir.

Kevin Hewitt  
Başkan Yardımcısı,  
Global Mühendislik  
Black & Decker Europe,  
210 Bath Road, Slough,  
Berkshire, SL1 3YD  
İngiltere  
17-02-2010

### Garanti

Black & Decker, ürünün kalitesinden emindir ve bu yüzden kanunlarda belirtilen taleplerin üstünde bir garanti verir. Ayrıca bu garanti hiçbir şekilde garanti ile ilgili kanuni haklarınızı ihlal etmez ve haklarınızı hiç bir şekilde kısıtlamaz. İşbu garanti Avrupa Birliği'ne üye ülkeler ile Avrupa Serbest Ticaret Bölgesi sınırları dahilinde geçerlidir.

Eğer bir Black & Decker ürünü, satın alma tarihinden itibaren 24 ay içinde hatalı malzeme, işçilik ya da uygunsuzluk nedeniyle bozulursa, müşteriye mümkün olabilecek en az sorunu yaşatarak Black & Decker hatalı kısımları değiştirmeyi, adil bir şekilde aşınmış ve yıpranmış ürünleri tamir etmeyi veya değiştirmeyi garanti eder. Ancak bu belirtilenler şu durumlar dışında geçerlidir:

- ◆ Ürün ticari veya profesyonel amaçlarla kullanılmışsa veya kiraya verilmişse;
- ◆ Ürün yanlış veya amaç dışı kullanılmışsa;
- ◆ Ürün yabancı nesnelere, maddelere veya kaza sırasında zarar görmüşse;
- ◆ Yetkili tamir servisleri veya Black & Decker servis ekibinden başkası tarafından tamir edilmeye çalışılmışsa.

Garanti talebinde bulunmak için, satıcıya veya yetkili tamir servisine satın aldığınıza dair ispat sunmalısınız. Fatura ve garanti kartı gerekmektedir. Bu kılavuzda belirtilen listeden size en yakın yetkili tamir servisinin yerini öğrenebilirsiniz. Ya da, alternatif olarak internet'ten Black & Decker yetkili tamir servislerinin listesini ve satış sonrası hizmetlerimizle ilgili tüm bilgiler ve temas bilgilerine aşağıdaki siteden ulaşabilirsiniz. [www.2helpU.com](http://www.2helpU.com)

Sanayi ve Ticaret Bakanlığı tebliğince kullanım ömrü 10 yıldır.

### Türkiye Distribütörü

KALE HIRDAVAT VE MAKİNA A.Ş.  
Defterdar Mah. Savaklar Cad. No. 15  
34050 Edirnekapı Eyüp İstanbul

# TÜRKÇE

No.	İl	Yetkili Servis	Adres	Telefon
1	Adana	Emin Elektrik	Kızılay Cad. 6.Sok. No.9/D	0322 351 80 46
2	Amasya	Teknik Bobinaj	Bayazıt Paşa Mah. Mehmet Vorinli Cad. No.20/B	0358 218 26 82
3	Ankara	Orhan Bobinaj	Yalıncı Sok. No.17 Siteler	0312 350 95 29
4	Ankara	Yiğit Bobinaj	Merkez 668.Sok. Eminel Yapı Koop. No.8 İvedik Ostim	0312 395 05 37
5	Antalya	E.B.A. Elektrik	Sanayi Sitesi 682.Sok. No.38	0242 345 36 22
6	Antalya - Alanya	Abaloğlu Bobinaj	Sanayi Sitesi Yeni Yol Girişi No.8	0242 512 02 16
7	Aydın	Taciroğlu Bobinaj	2.Sanayi Sitesi 3.Sok. No.55	0256 219 43 30
8	Aydın - Kuşadası	Özgür Bobinaj	Kuşadası Sanayi Sitesi J.Blok No.13	0256 622 13 73
9	Balıkesir	Tezger Bobinaj	Küçük Sanayi Bölgesi Dökmeciler Sok. No.15	0266 241 63 85
10	Balıkesir - Bandırma	Küre Bobinaj	Atatürk Cad. No.104 Bandırma	0266 718 46 79
11	Balıkesir - Edremit	Özkan Bobinaj	Cennet Ayağı Mah. Demirbaş Sitesi A4-B1. No.2/B	0256 374 20 29
12	Bursa	Vokart	Gazıcılar Cad. Erikli Bahçe Sok. No.6/B	0224 254 48 75
13	Çanakkale	Kısacık Bobinaj	Namık Kemal Mah. Kaynak Sok. No.41	0286 217 96 71
14	Çorum	Emek Bobinaj	Küçük Sanayi Sitesi 23.Cad. No.5/C Cami yanı	0364 234 68 84
15	Denizli	Örsler Bobinaj	Bakırlı Mah. 171.Sok. Sedef Çarşısı No.9-10	0256 261 42 74
16	Diyarbakır	Çetsan Elektrik	İnönü Cad. Ziya Gökalp Sok. No.45	0412 237 29 04
17	Düzce	Yıldız Makine	Burhaniye Mah. Gen. Kazım Sok. No.10	0380 514 70 56
18	Edirne	Efe Bobinaj	Sanayi Sitesi 22.Blok No.5	0284 225 35 73
19	Erzincan	Ümit Elektrik Makine	Sanayi Çarşısı 767.Sok. No.71	0446 224 08 01
20	Eskişehir	Meriç Bobinaj	Akçağlan Mah. Meriç Sok. No.4/A	0222 230 94 44
21	Gaziantep	Karavaşın Bobinaj	Şenyurt Cad. No.35 Şahinbey	0342 231 17 33
22	Isparta	Işık Bobinaj	Piri Mehmet Mah. 107.Cad. No.5	0246 223 20 28
23	İçel - Mersin	Şekerler Elektrik Bobinaj	Nusratiye Mah. 5005.Sok. No.20/A	0324 336 70 98
24	İçel - Mersin	Üniversal Bobinaj	Nusratiye Mah. Çiftçiler Cad. 68.Sok. No.19	0324 233 44 29
25	İstanbul	AKEL Elektrik Servis Hiz.	Yukarı Dudullu Nato Yolu Cad. No.109B Ümraniye	0216 540 53 54
26	İstanbul	Fırat Dış Ticaret	Tersane Cad. Kut Han No.38 K.3 D.307-308 Karaköy Perpa Tic. Merkezi B.Blok Mavi Avlu Kat.4 No.318	0212 252 93 43
27	İstanbul	Birlik Elektromekanik	Okmeydanı	0212 222 94 18
28	İstanbul	Kardeşler Bobinaj	Çağlayan Mah. Sinanpaşa Cad. No.5 Çağlayan	0212 224 97 54
29	İstanbul	Mert Elektrik Ltd.	İkitelli Org. Sanayi Demirciler Sitesi D2.Blok No.280 İkitelli İstasyon Cad. GIBTAŞ Sanayi Sitesi No.24 Kat 2 İçmeler	0212 549 65 78
30	İstanbul	SVS Teknik	Tuzla	0216 446 69 39
31	İstanbul	Tarık Makina Ltd.	Bağdat Cad. Adalı Sok. No.101/10 Maltepe	0216 370 21 11
32	İstanbul	Tekniker Bobinaj	Birlik Sanayi Sitesi 7.Cad. No.2 Beylikdüzü	0212 875 19 31
33	İzmir	Birlik Bobinaj	2824 Sok. No.18 Halkapınar 1.Sanayi Sitesi	0232 458 39 42
34	İzmir	Boro Cvata	1203/2.Sok. No.B2 Gıda Çarşısı Yenisehir	0232 469 80 70
35	İzmir	Doruk Hırdavat	1426.Sok. No.14 Hurdacılar Sitesi Doğanlar Bornova	0232 478 14 12
36	Kayseri	Akın Elektrik	Eski Sanayi Bölgesi 5.Cad. No.8	0352 336 41 23
37	Kocaeli - Gebze	Gülsoy Elektrik	Menzilhane Cad. 1111.Sok. No.7	0262 646 92 49
38	Kocaeli - İzmit	Efe Elektrik Bobinaj	Körfez Küçük Sanayi Sitesi 12.Blok No.13	0262 335 18 94
39	Konya	Murat Bobinaj	Karatay Sanayi Çiçekli Sok. No.83	0332 235 64 63
40	Konya	Sözenler Bobinaj	Fevzi Çakmak Mah. Komsan İş Mer. 10562 Sok. No.62	0332 342 63 18
41	Kütahya	Doğan Bobinaj	Yeni Sanayi Sitesi 19.Sok. No.28/1	0274 231 22 00
42	Malatya	Özer Bobinaj	Yeni Sanayi Sitesi 2.Cad. No.95	0422 336 39 53
43	Muğla - Bodrum	Bodrum Makine	Türkkuyusu Mah. Etem Demiröz Sok. Sanayi Sitesi 12	0252 316 28 51
44	Muğla - Marmaris	Başaran Teknik	Beldibi Cad. No.5/C	0252 412 85 11
45	Nevşehir	Çiftgüç Elektrik	Yeni Sanayi Sitesi 8.Blok No.53	0384 213 19 96
46	Sakarya - Adapazarı	Engin El. Bobinaj	Papuççular Mah. Papuççular Cad. No.40	0264 273 87 69
47	Samsun	Akış Bobinaj	Sanayi Sitesi Ulus Cad. No.31B	0362 238 07 23
48	Sivas	Bayraktar Elektrik	Yeni Çarşı No.72C	0346 221 47 55
49	Tekirdağ - Çorlu	Ümit Elektrik	Camiatık Mah. Ereğli Sok. No.1	0282 653 27 77
50	Tokat	Çetin Elektrik	Sanayi Sitesi No.22 Cami Altı	0356 214 63 07
51	Trabzon	Makina Market	Rize Cad. No.71 Değirmendere	0462 328 14 80
52	Uşak	Zengin Bobinaj	Islıca Mah. Ürem Sok. No.10/C	0276 227 27 46
53	Yalova	Kale İnşaat	Merkez Mah. Devlet Yolu Cad. No.70 Paytazdere Yalova	0226 461 22 42
54	Zonguldak - KDZ Ereğli	Tümen Bobinaj	Kışla Sanayi Sitesi D.Blok No.17	0372 323 74 97

