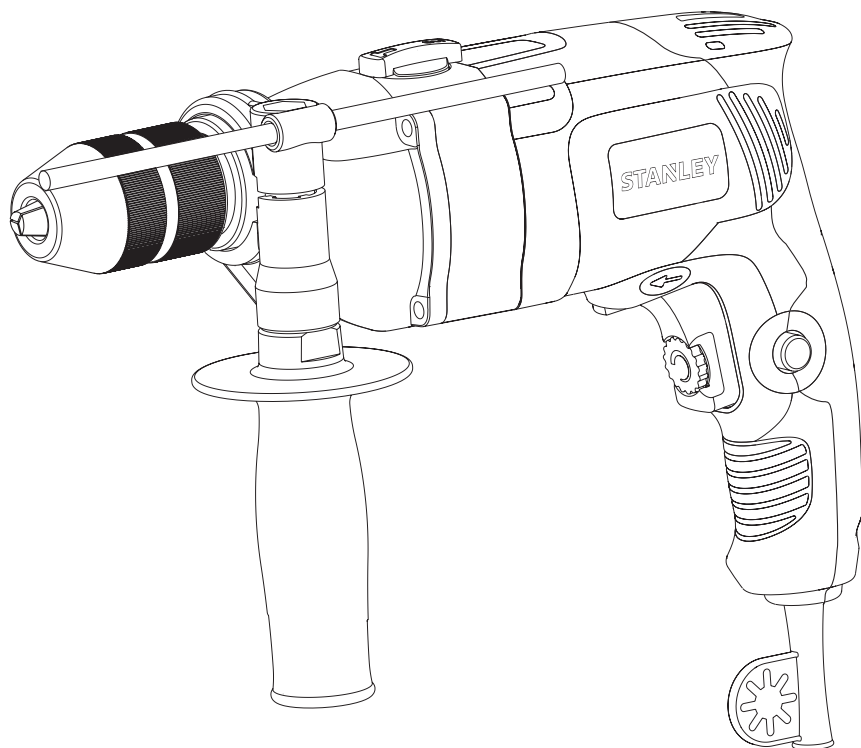
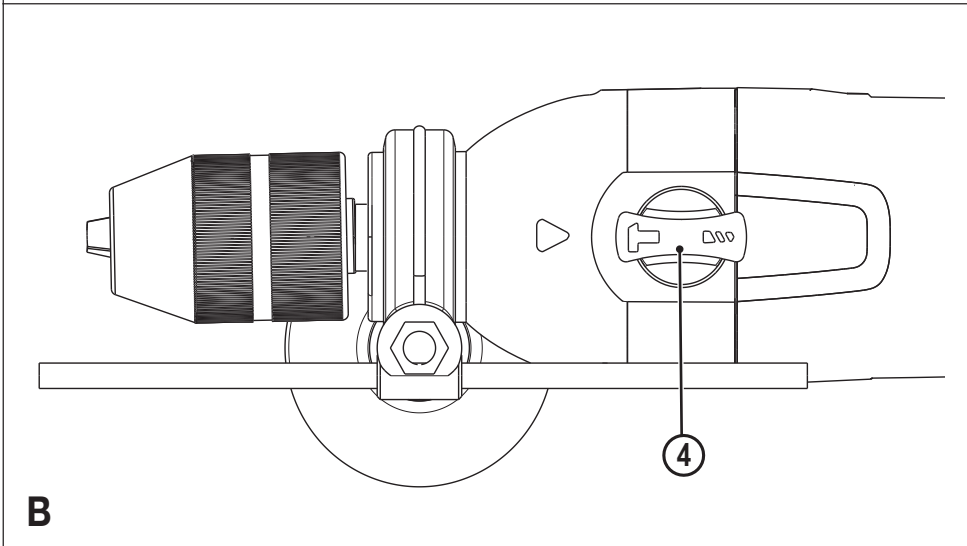
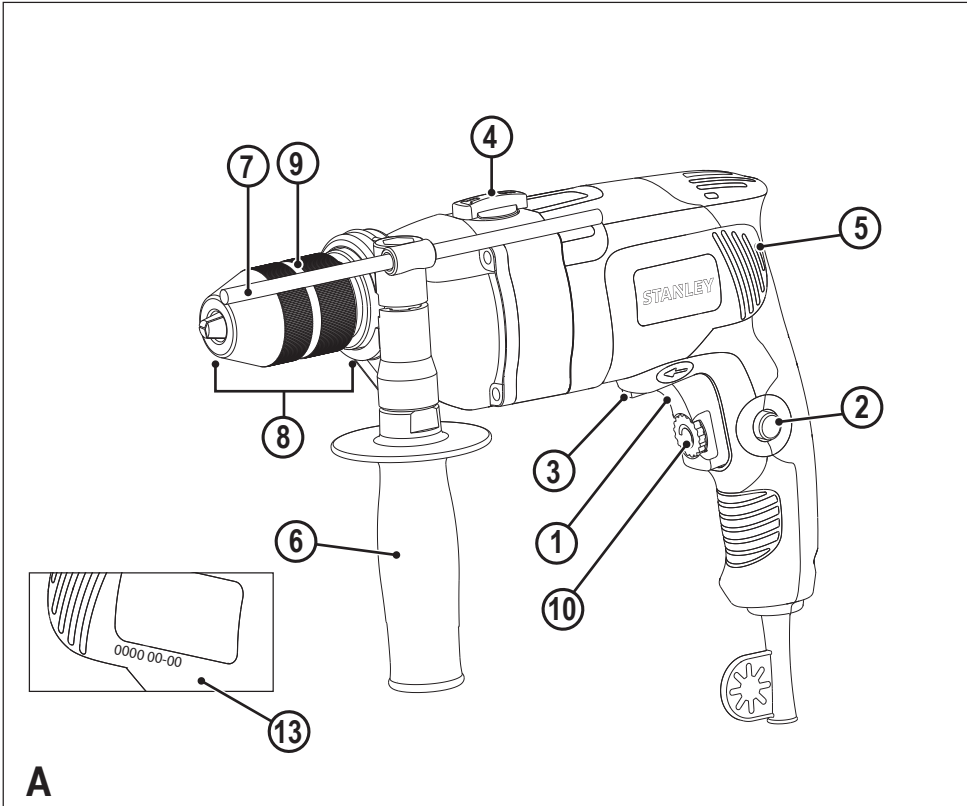


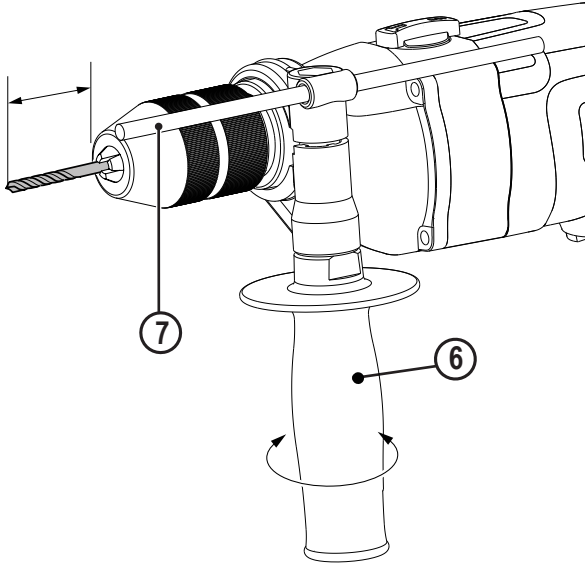
STANLEY®



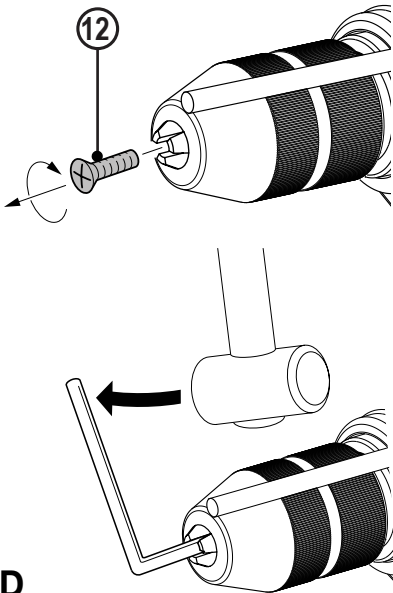
STDH8013C

English	Page	04
Russian	Page	10
Ukrainian	Page	19

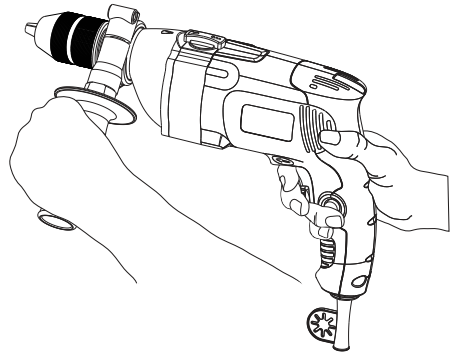




C



D



E

Intended use

Your STANLEY STDH8013C impact drill has been designed for drilling in wood, metal and concrete. This tool is intended for professional use.

Safety instructions

General Power tool Safety Warnings



Warning! Read all safety warnings and all instructions. Failure to follow the warnings and instructions may result in electric shock, fire and/or serious injury.

Save all warnings and instructions for future reference.

The term "power tool" in all of the warnings listed below refers to your mains operated (corded) power tool or battery operated (cordless) power tool.

1. Work area safety

- a. **Keep work area clean and well lit.** Cluttered or dark areas invite accidents.
- b. **Do not operate power tools in explosive atmospheres, such as in the presence of flammable liquids, gases or dust.** Power tools create sparks which may ignite the dust or fumes.
- c. **Keep children and bystanders away while operating a power tool.** Distractions can cause you to lose control.

2. Electrical safety

- a. **Power tool plugs must match the outlet. Never modify the plug in any way. Do not use any adapter plugs with earthed (grounded) power tools.** Unmodified plugs and matching outlets will reduce risk of electric shock.
- b. **Avoid body contact with earthed or grounded surfaces such as pipes, radiators, ranges and refrigerators.** There is an increased risk of electric shock if your body is earthed or grounded.
- c. **Do not expose power tools to rain or wet conditions.** Water entering a power tool will increase the risk of electric shock.
- d. **Do not abuse the cord. Never use the cord for carrying, pulling or unplugging the power tool. Keep cord away from heat, oil, sharp edges or moving parts.** Damaged or entangled cords increase the risk of electric shock.
- e. **When operating a power tool outdoors, use an extension cord suitable for outdoor use.** Use of a cord suitable for outdoor use reduces the risk of electric shock.
- f. **If operating a power tool in a damp location is unavoidable, use a residual current device (RCD) protected supply.** Use of an RCD reduces the risk of electric shock.

3. Personal safety

- a. **Stay alert, watch what you are doing and use common sense when operating a power tool. Do not use a power tool while you are tired or under the influence of drugs, alcohol or medication.** A moment of inattention while operating power tools may result in serious personal injury.

- b. **Use personal protective equipment. Always wear eye protection.** Protective equipment such as dust mask, non-skid safety shoes, hard hat, or hearing protection used for appropriate conditions will reduce personal injuries.
 - c. **Prevent unintentional starting. Ensure the switch is in the off-position before connecting to power source and/or battery pack, picking up or carrying the tool.** Carrying power tools with your finger on the switch or energising power tools that have the switch on invites accidents.
 - d. **Remove any adjusting key or wrench before turning the power tool on.** A wrench or a key left attached to a rotating part of the power tool may result in personal injury.
 - e. **Do not overreach. Keep proper footing and balance at all times.** This enables better control of the power tool in unexpected situations.
 - f. **Dress properly. Do not wear loose clothing or jewellery. Keep your hair, clothing and gloves away from moving parts.** Loose clothes, jewellery or long hair can be caught in moving parts.
 - g. **If devices are provided for the connection of dust extraction and collection facilities, ensure these are connected and properly used.** Use of dust collection can reduce dust-related hazards.
- #### 4. Power tool use and care
- a. **Do not force the power tool. Use the correct power tool for your application.** The correct power tool will do the job better and safer at the rate for which it was designed.
 - b. **Do not use the power tool if the switch does not turn it on and off.** Any power tool that cannot be controlled with the switch is dangerous and must be repaired.
 - c. **Disconnect the plug from the power source and/or the battery pack from the power tool before making any adjustments, changing accessories, or storing power tools.** Such preventive safety measures reduce the risk of starting the power tool accidentally.
 - d. **Store idle power tools out of the reach of children and do not allow persons unfamiliar with the power tool or these instructions to operate the power tool.** Power tools are dangerous in the hands of untrained users.
 - e. **Maintain power tools. Check for misalignment or binding of moving parts, breakage of parts and any other condition that may affect the power tools operation. If damaged, have the power tool repaired before use.** Many accidents are caused by poorly maintained power tools.
 - f. **Keep cutting tools sharp and clean.** Properly maintained cutting tools with sharp cutting edges are less likely to bind and are easier to control.
 - g. **Use the power tool, accessories and tool bits etc. in accordance with these instructions, taking into account the working conditions and the work to be performed.** Use of the power tool for operations different from those intended could result in a hazardous situation.

5. Service

- a. **Have your power tool serviced by a qualified repair person using only identical replacement parts.** This will ensure that the safety of the power tool is maintained.

Additional Power Tool Safety Warnings



Warning! Additional safety warnings for drills and impact drills

Drill Safety Warnings

- **Wear ear protectors when impact drilling.** Exposure to noise can cause hearing loss.
- **Use auxiliary handle(s), if supplied with the tool.** Loss of control can cause personal injury.
- **Hold power tool by insulated gripping surfaces, when performing an operation where the cutting accessory may contact hidden wiring or its own cord.** Cutting accessory contacting a "live" wire may make exposed metal parts of the power tool "live" and could give the operator an electric shock.
- Use clamps or another practical way to secure and support the workpiece to a stable platform. Holding the work by hand or against your body leaves it unstable and may lead to loss of control.
- Before drilling into walls, floors or ceilings, check for the location of wiring and pipes.
- Avoid touching the tip of a drill bit just after drilling, as it may be hot.
- This tool is not intended for use by persons (including children) with reduced physical, sensory or mental capabilities, or lack of experience and knowledge, unless they have been given supervision or instruction concerning use of the appliance by a person responsible for their safety. Children should be supervised to ensure that they do not play with the appliance.
- The intended use is described in this instruction manual. The use of any accessory or attachment or performance of any operation with this tool other than those recommended in this instruction manual may present a risk of personal injury and/or damage to property.

Safety of others

- This appliance is not intended for use by persons (including children) with reduced physical, sensory or mental capabilities, or lack of experience and knowledge, unless they have been given supervision or instruction concerning use of the appliance by a person responsible for their safety.
- Children should be supervised to ensure that they do not play with the appliance

Residual risks








Additional residual risks may arise when using the tool which

may not be included in the enclosed safety warnings. These risks can arise from misuse, prolonged use etc. Even with the application of the relevant safety regulations and the implementation of safety devices, certain residual risks can not be avoided. These include:

- Injuries caused by touching any rotating/moving parts.
- Injuries caused when changing any parts, blades or accessories.
- Injuries caused by prolonged use of a tool. When using any tool for prolonged periods ensure you take regular breaks.
- Impairment of hearing.
- Health hazards caused by breathing dust developed when using your tool (example:- working with wood, especially oak, beech and MDF.)

Labels on tool

The label on your tool may include the following symbols:

	Read Instructions Manual	Hz Hertz		Class II Construction
	Use Eye Protection	W Watts		Earthing Terminal
	Use Ear Protection	min minutes		Safety Alert Symbol
		 Alternating Current/min.. Revolutions or Reciprocation per minute
	V Volts	----- Direct Current		
	A Amperes	n ₀ No-Load Speed		

Position of date barcode

The Date Code, which also includes the year of manufacture, is printed into the housing.

Example:

2017 XX JN
Year of manufacturing

Electrical safety



Double insulation measures are taken in this power tool, so no grounding is needed. Please check whether the voltage of power supplied is consistent with the voltage on the nameplate or not.

- If the wire is damaged, it should be replaced by the manufacturer or a service center authorized by STANLEY, to avoid danger.

Using an extension cable

- If an extension cable is required, use an approved extension cable suitable for the power input of this tool (see technical data). The minimum conductor size is 1.5 mm².

When using a cable reel, always unwind the cable completely.

Also refer to the table below.

- Check for damage to the tool, parts or accessories which may have occurred during transport.
- Take the time to thoroughly read and understand this manual prior to operation.


Description (fig. A)


1. Variable speed switch
2. Lock-on button
3. Forward/reverse slider
4. Mode selector
5. Ventilation slots
6. Side handle
7. Depth adjustment rod
8. Keyless chuck
9. Sleeve
10. Speed dial

Assembly

Warning! Before assembly, please ensure that the power tool is powered off and the power plug of the tool is unplugged from the power source.

Selecting the operating mode (fig. B) The tool can be used in two operating modes:

 Rotary drilling:
for steel, wood and plastics.

 Impact drilling:
simultaneous rotating and impacting for concrete and masonry drilling operations.

- Select the required operating mode by rotating the mode selector (4) to the required position.

Inserting and removing a bit (fig. A,D)**Keyless chuck**

The STDH8013C features a keyless chuck (8) for greater convenience.

To Insert A Drill Bit Or Other Accessory.

- Grasp the rear half of the chuck with one hand and use your other hand to rotate the front half counter clockwise, as shown in Figure D. Rotate far enough so that the chuck opens sufficiently to accept the desired accessory.
- Insert the bit or other accessory about 19 mm (3/4") into the chuck and tighten securely by holding the rear half of the chuck and rotating the front portion in the clockwise direction. When the chuck is nearly tightened, you will hear a clicking sound. After 4–6 clicks, the chuck is securely tightened around the accessory.
- To release the accessory, repeat step 1 listed above.

Warning! Do not attempt to tighten drill bits (or any other accessory) by gripping the front part of the chuck and turning the tool on. Damage to the chuck and personal injury may result.

Keyless Chuck Removal (Fig. D)

Tighten the chuck around the shorter end of a hex key (not supplied). Using a soft hammer or piece of wood, strike the longer end in the counterclockwise direction. This will loosen the chuck so that it can be unscrewed by hand.

Keyless Chuck Installation (Fig. D)

Screw the chuck on by hand as far as it will go. Tighten the chuck around the shorter end of a hex key (not supplied) and strike the longer end in the clockwise direction with a soft hammer.

Fitting the side handle (fig. A)

The side handle (6) can be fitted to suit both RH- and LH-users.



Always use the drill with the side handle properly assembled.

- Loosen the side handle.
- For RH-users, slide the side handle clamp over the collar behind the chuck, handle at the left.
- For LH-users, slide the side handle clamp collar behind the chuck, handle at the right.
- Rotate the side handle to the desired position and tighten the handle.

Setting the drilling depth (fig. C)

- Insert the required drill bit into the chuck.
- Slacken the side handle (6).
- Fit the depth adjustment rod (7) through the hole in the side handle clamp.
- Adjust the drilling depth as shown.
- Tighten the side handle.

Forward/reverse slider (fig. A)

- To select forward or reverse rotation, use the forward/reverse-switch (3) (see arrow on tool).



Always wait until the motor has come to a complete standstill before changing the direction of rotation.

Instructions for use

- Always observe the safety instructions and applicable regulations.
- Be aware of the location of pipework and wiring.
- Apply only a gentle pressure to the tool. Excessive force does not speed up drilling but decreases tool performance and may shorten tool life.
- Wear ear protectors with impact drills. Exposure to noise can cause hearing loss.
- Use auxiliary handles supplied with the tool. Loss of control can cause personal injury.

- Hold power tool by insulated gripping surfaces, when performing an operation where the cutting accessory may contact hidden wiring or its own cord. Cutting accessory contacting a "live" wire may make exposed metal parts of the power tool "live" and shock the operator.
- If operating a power tool in a damp location is unavoidable, use a residual current device (RCD) protected supply. Use of an RCD reduces the risk of electric shock.

Prior to operation

- Insert the appropriate bit.
- Mark the spot where the hole is to be drilled.

Proper Hand Position (fig. A, E)



Warning: To reduce the risk of serious personal injury, ALWAYS use proper hand position as shown.



Warning: To reduce the risk of serious personal injury, ALWAYS hold securely in anticipation of a sudden reaction.

Proper hand position requires one hand on the side handle (6), with the other hand on the main handle.

Switching on and off

- To switch the tool on, press the variable speed switch (1). The tool speed depends on how far you press the switch.
- For continuous operation, press the lock-on button (2) and release the variable speed switch. This option is available only at full speed.
- To switch the tool off, release the variable speed switch. To switch the tool off when in continuous operation, press the variable speed switch once more and release it.
- Based on the different applications, turn around the speed dial (10) to control the maximum speed.

Drilling in metal

Start drilling with slow speed and increase to full power while applying firm pressure on the tool. A smooth even flow of metal chips indicates the proper drilling rate. Use a cutting lubricant when drilling metals. The exceptions are cast iron and brass which should be drilled dry.

Note: Large [5/16" (8 mm) to 1/2" (13 mm)] holes in steel can be made easier if a pilot hole [5/32" (4 mm) to 3/16" (5 mm)] is drilled first.

Drilling in wood

Start drilling with slow speed and increase to full power while applying firm pressure on the tool. Holes in wood can be made with the same twist drills used for metal. These bits may overheat unless pulled out frequently to clear chips from the flutes. Work that is apt to splinter should be backed up with a block of wood.

Drilling in masonry

When drilling in masonry, use carbide-tipped bits rated for Impact drilling and be certain that the bits are sharp. Use a constant and firm force on the tool to drill most effectively. A smooth, even flow of dust indicates the proper drilling rate.

Screwdriving

- Select forward or reverse rotation.

Impact drilling (fig. A)

- Select the Impact mode.
- Press the switch (1).

Rotary drilling (fig. A)

- Select the rotary drilling mode.
- Proceed as described for Impact drilling.

Consult your dealer for further information on the appropriate accessories.

Accessories

The performance of an electric tool depends on its accessories. STANLEY accessories are designed according to high quality standards, to enhance the performance of electric tool. The use of these accessories can help you conveniently operate the tool.

Maintenance

The STANLEY cord / cordless appliance / tools are of sophisticated design, can be used for a long time, and only little maintenance is needed. To obtain consistent satisfactory use, proper maintenance and regular cleaning of the tools are necessary.

Warning! Before performing any maintenance work on the cord / cordless electric tools, the following points must be implemented:

- Switch off the power of the equipment / tools and pull off the plug;
- If the equipment / tools are equipped with independent battery pack, please turn off the power and remove the battery pack from the equipment / tools.
- If the equipment / tools are equipped with an integrated battery, please run out the battery, before turning off its power.
- Before the cleaning, unplug the charger plug from the power source. In addition, except the regular cleaning on your charger, no other maintenance is needed.
- Regularly use the soft brush or dry cloth to clean the ventilation slot of the equipment / tools / charger.
- Regularly use a damp cloth to clean the motor housing. Please do not use any abrasive cleaning agents or solvent-based cleansing agents.
- Regularly open the clamping chuck and tap it gently to remove any internal dust (after installation).



Cleaning



Warning! Once the visible dust build-up is found at and/or around the ventilating ports, immediately flush the dust and powder within the host shell with clean dry air. To perform this procedure, wear the approved safety equipment and dust mask.



Warning! It is strictly forbidden to clean the non-metallic parts of the tool with the solvents or other irritant chemicals. These chemicals may weaken the materials of these components. Use a cloth moistened with a mild soapy water to clean it. Do not let any substance permeate into the tool and do not immerse any part of the tool into a liquid.

Protecting the Environment



Separate collection. This product must not be disposed of with normal household waste.

Should you find one day that your STANLEY product needs replacement, or if it is of no further use to you, do not dispose of it with household waste. Make this product available for separate collection.



STANLEY provides a facility for the collection and recycling of STANLEY products once they have reached the end of their working life. To take advantage of this service please return your product to any authorised repair agent who will collect them on our behalf.

You can check the location of your nearest authorised repair agent by contacting your local STANLEY office at the address indicated in this manual. Alternatively, a list of authorised STANLEY repair agents and full details of our after-sales service and contacts are available on the Internet at: www.2helpU.com.

Service Information

STANLEY offers a full network of company-owned and authorized service locations throughout Asia. All STANLEY Service Centers are staffed with trained personnel to provide customers with efficient and reliable power tool service. Whether you need technical advice, repair, or genuine factory replacement parts, contact the STANLEY location nearest to you.

Notes

- STANLEY's policy is one of continuous improvement to our products and, as such, we reserve the right to change product specifications without prior notice.
- Standard equipment and accessories may vary by country.
- Product specifications may differ by country.
- Complete product range may not be available in all countries. Contact your local STANLEY dealers for range availability.

Technical data

Impact Drill	STDH8013C	
Voltage	V	220-240
Frequency	Hz	50/60
Power input	W	800
No-load speed	/min	0-3000
Impact rate	IPM	0-54000
Reverse/Forward rotation		Yes
Chuck capacity	mm	1.5-13
Max capacity		
Concrete	mm	16
Metal	mm	13
Wood	mm	32
Weight	kg	2.5

Level of sound pressure according to EN 60745:

Sound pressure (L_{pA}) 100.5 dB(A), uncertainty (K) 3 dB(A)
 Sound power (L_{WA}) 111.5 dB(A), uncertainty (K) 3 dB(A)

Vibration total values (triax vector sum) according to EN 60745:

Drilling into metal ($a_{h, D}$) <6.1 m/s², uncertainty (K) 1.5 m/s²
 Impact drilling ($a_{h, ID}$) 15.0 m/s², uncertainty (K) 1.5 m/s²

The vibration emission level given in this information sheet has been measured in accordance with a standardised test given in EN 60745 and may be used to compare one tool with another. It may be used for a preliminary assessment of exposure.



Warning: The declared vibration emission level represents the main applications of the tool. However if the tool is used for different applications, with different accessories or poorly maintained, the vibration emission may differ. This may significantly increase the 1.5exposure level over the total working period.

An estimation of the level of exposure to vibration should also take into account the times when the tool is switched off or when it is running but not actually doing the job. This may significantly reduce the exposure level over the total working period.

Identify additional safety measures to protect the operator from the effects of vibration such as: maintain the tool and the accessories, keep the hands warm, organisation of work patterns.

EC declaration of conformity
MACHINERY DIRECTIVE



STDH8013C

STANLEY declares that these products described under "technical data" are in compliance with: 2006/42/EC, EN 60745-1:2009 + A11:2010, EN 60745-2-1:2010

These products also comply with Directive 2014/30/EU and 2011/65/EU. For more information, please contact STANLEY at the following address or refer to the back of the manual.

The undersigned is responsible for compilation of the technical file and makes this declaration on behalf of STANLEY.

R.Laverick
Engineering Manager
STANLEY , Europe, Egide Walschaertsstraat14-18,
2800 Mechelen, Belgium
03.2017

Two Year Warranty

If your STANLEY product becomes defective due to faulty materials or workmanship within 24 months from the date of purchase, STANLEY guarantees to replace all defective parts free of charge or – at our discretion – replace the unit free of charge provided that:

- The product has not been misused and has been used in accordance with the instruction manual;
- The product has been subject to fair wear and tear;
- Repairs have not been attempted by unauthorized persons;
- Proof of purchase is produced.
- The STANLEY product is returned complete with all original components
- The product hasn't been used for hire purposes

If you wish to make a claim, contact your seller or check the location of your nearest authorised STANLEY repair agent in the STANLEY catalogue or contact your local STANLEY office at the address indicated in this manual. A list of authorised STANLEY repair agents and full details of our after sales service is available on the internet at: www.2helpU.com

Использование по назначению

Ваша ударная электрическая дрель STANLEY STDH8013C предназначена для сверления отверстий в древесине, металле, пластмассе и кирпичной кладке, а также для заворачивания саморезов. Данный инструмент предназначен для профессионального использования.

Инструкции по технике безопасности

Общие предупреждения по технике безопасности электроинструментов



Внимание! Ознакомьтесь со всеми правилами безопасности и инструкциями. Несоблюдение предупреждений и инструкций, указанных ниже, может привести к поражению электрическим током, пожару и/или серьезной травме.

Сохраните все предупреждения и инструкции для будущего использования. Термин "электроинструмент" во всех предупреждениях, указанных ниже, относится к вашему сетевому (с кабелем) электроинструменту или аккумуляторному электроинструменту (без кабеля питания).

- 1. Безопасность рабочего места**
 - a. Содержите рабочее место в чистоте и обеспечьте хорошее освещение.** Плохое освещение или беспорядок на рабочем месте может привести к несчастному случаю.
 - b. Не используйте электроинструменты, если есть опасность возгорания или взрыва, например, вблизи легко воспламеняющихся жидкостей, газов или пыли.** В процессе работы электроинструменты создают искровые разряды, которые могут воспалить пыль или горячие пары.
 - c. Во время работы с электроинструментом не подпускайте близко детей или посторонних лиц.** Отвлечение внимания может вызвать у Вас потерю контроля над рабочим процессом.
 - 2. Электробезопасность**
 - a. Вилка кабеля электроинструмента должна соответствовать штепсельной розетке. Ни в коем случае не видоизменяйте вилку электрического кабеля. Не используйте соединительные штепсели-переходники, если в силовом кабеле электроинструмента есть провод заземления.** Использование оригинальной вилки кабеля и соответствующей ей штепсельной розетки уменьшает риск поражения электрическим током.
 - b. Во время работы с электроинструментом избегайте физического контакта с заземлёнными объектами, такими как трубопроводы, радиаторы отопления, электроплиты и холодильники.** Риск поражения электрическим током увеличивается, если Ваше тело заземлено.
 - c. Не используйте электроинструмент под дождём или во влажной среде.** Попадание воды в электроинструмент увеличивает риск поражения электрическим током.
 - d. Бережно обращайтесь с электрическим кабелем. Ни в коем случае не используйте кабель для переноски электроинструмента или для вытягивания его вилки из штепсельной розетки. Не подвергайте электрический кабель воздействию высоких температур и смазочных веществ; держите его в стороне от острых кромок и движущихся частей электроинструмента.** Повреждённый или запутанный кабель увеличивает риск поражения электрическим током.
 - e. При работе с электроинструментом на открытом воздухе используйте удлинительный кабель, предназначенный для наружных работ.** Использование кабеля, пригодного для работы на открытом воздухе, снижает риск поражения электрическим током.
 - f. При необходимости работы с электроинструментом во влажной среде используйте источник питания, оборудованный устройством защитного отключения (УЗО).** Использование УЗО снижает риск поражения электрическим током.
- 3. Личная безопасность**
 - a. При работе с электроинструментами будьте внимательны, следите за тем, что Вы делаете, и руководствуйтесь здравым смыслом. Не используйте электроинструмент, если Вы устали, а также находясь под действием алкоголя или понижающих реакцию лекарственных препаратов и других средств.** Малейшая неосторожность при работе с электроинструментами может привести к серьёзной травме.
 - b. При работе используйте средства индивидуальной защиты. Всегда надевайте защитные очки.** Своевременное использование защитного снаряжения, а именно: пылезащитной маски, ботинок на нескользящей подошве, защитного шлема или противошумовых наушников, значительно снизит риск получения травмы.
 - c. Не допускайте непреднамеренного запуска. Перед тем, как подключить электроинструмент к сети и/или аккумулятору, поднять или перенести его, убедитесь, что выключатель находится в положении «выключено».** Не переносите электроинструмент с нажатым курковым выключателем и не подключайте к сетевой розетке электроинструмент, выключатель которого установлен в положение «включено», это может привести к несчастному случаю.

- d. **Перед включением электроинструмента снимите с него все регулировочные или гаечные ключи.** Регулировочный или гаечный ключ, оставленный закреплённым на вращающейся части электроинструмента, может стать причиной получения тяжёлой травмы.
- e. **Работайте в устойчивой позе. Всегда твёрдо стойте на ногах, сохраняя равновесие.** Это позволит Вам не потерять контроль при работе электроинструментом в непредвиденной ситуации.
- f. **Одевайтесь соответствующим образом. Во время работы не надевайте свободную одежду или украшения. Следите за тем, чтобы Ваши волосы, одежда или перчатки находились в постоянном отдалении от движущихся частей инструмента.** Свободная одежда, украшения или длинные волосы могут попасть в движущиеся части инструмента.
- g. **Если электроинструмент снабжён устройством сбора и удаления пыли, убедитесь, что данное устройство подключено и используется надлежащим образом.** Использование устройства пылеудаления значительно снижает риск возникновения несчастного случая, связанного с запылённостью рабочего пространства.

4. Использование электроинструментов и технический уход

- a. **Не перегружайте электроинструмент. Используйте Ваш инструмент по назначению.** Электроинструмент работает надёжно и безопасно только при соблюдении параметров, указанных в его технических характеристиках.
- b. **Не используйте электроинструмент, если его выключатель не устанавливается в положение включения или выключения.** Электроинструмент с неисправным выключателем представляет опасность и подлежит ремонту.
- c. **Отключайте электроинструмент от сетевой розетки и/или извлекайте аккумулятор перед регулировкой, заменой принадлежностей или при хранении электроинструмента.** Такие меры предосторожности снижают риск случайного включения электроинструмента.
- d. **Храните неиспользуемые электроинструменты в недоступном для детей месте и не позволяйте лицам, не знакомым с электроинструментом или данными инструкциями, работать с электроинструментом.** Электроинструменты представляют опасность в руках неопытных пользователей.
- e. **Регулярно проверяйте исправность электроинструмента. Проверяйте точность совмещения и легкость перемещения подвижных частей, целостность деталей и любых других**

элементов электроинструмента, воздействующих на его работу. Не используйте неисправный электроинструмент, пока он не будет полностью отремонтирован. Большинство несчастных случаев являются следствием недостаточного технического ухода за электроинструментом.

- f. **Следите за остротой заточки и чистотой режущих принадлежностей.** Принадлежности с острыми кромками позволяют избежать заклинивания и делают работу менее утомительной.
- g. **Используйте электроинструмент, аксессуары и насадки в соответствии с данным Руководством по эксплуатации и с учётом рабочих условий и характера будущей работы.** Использование электроинструмента не по назначению может создать опасную ситуацию.
6. **Техническое обслуживание**
- a. **Ремонт Вашего электроинструмента должен производиться только квалифицированными специалистами с использованием идентичных запасных частей.** Это обеспечит безопасность Вашего электроинструмента в дальнейшей эксплуатации.

Дополнительные меры безопасности для электроинструментов



Предостережение! Дополнительные меры безопасности для дрелей и ударных дрелей

Правила техники безопасности при работе с дрелью

- **Надевайте защитные наушники при сверлении.** Воздействие шума может привести к потере слуха.
- **Используйте дополнительные рукоятки, если они входят в комплект поставки инструмента.** Потеря контроля может привести к травме.
- **Держите инструмент за изолированные поверхности во время работы, при которой режущий инструмент может задеть скрытую проводку или собственный кабель.** При контакте режущего аксессуара с «живым» проводом или открытыми металлическими частями электроинструмента оператора может ударить электрическим током.
- **Используйте тиски или другое подходящее приспособление для обеспечения и поддержания обрабатываемого изделия на устойчивой платформе.** Проведение работы по направлению руки или против вашего тела, лишает устойчивости и может привести к потере контроля.
- **Перед сверлением стен, полов и потолков, проверьте местоположение электропроводки и труб.**

- Не прикасайтесь к кончику сверла сразу после окончания сверления, так как оно может быть горячим.
- Этот инструмент не предназначен для использования лицами (включая детей) с ограниченными физическими, чувствительными или умственными способностями или с недостатком опыта или знаний, если они не были под контролем и руководством лица, контролирующего использование инструмента или лицом, ответственным за их безопасность. Дети должны быть под присмотром взрослых, чтобы не допустить никаких игр с инструментом.
- Назначение инструмента описывается в данном руководстве. Использование любых аксессуаров или приспособлений, выполнение любых операций с помощью этого инструмента, не рекомендованных в данном руководстве, может представлять опасность получения травм и/или повреждения имущества.

Безопасность посторонних лиц

- Этот инструмент не предназначен для использования лицами (включая детей) с ограниченными физическими, чувствительными или умственными способностями или с недостатком опыта или знаний, если они не были под контролем и руководством лица, контролирующего использование инструмента или ответственным за их безопасность.
- Дети должны быть под присмотром взрослых, чтобы не допустить никаких игр с инструментом.

Остаточные риски

Дополнительные остаточные риски могут возникнуть при использовании инструмента, которые не включены в описанные здесь правила техники безопасности. Эти риски могут возникнуть при неправильном или продолжительном использовании изделия и т.п. Несмотря на соблюдение соответствующих правил техники безопасности и использование предохранительных устройств, некоторых остаточных рисков невозможно избежать. Они включают в себя:

- Травмы в результате касания вращающихся/движущихся частей.
- Риск получения травмы во время смены деталей инструмента, ножей или насадок
- Травмы, вызванные продолжительным использованием инструмента. При использовании инструмента в течение продолжительного периода времени делайте регулярные перерывы в работе.
- Плохой слух.
- Ущерб здоровью в результате вдыхания пыли при использовании инструмента (пример: работа с деревом, в особенности, древесиной дуба, бука и древесноволокнистой плитой средней плотности).

Этикетки на инструменте

Этикетка на вашем инструменте может включать следующие символы:

	Читайте инструкции по эксплуатации	Gc Герц		Конструкция класса II
	Используйте средства защиты глаз	Вт Ватт		Терминал заземления
	Используйте средства защиты органов слуха	мин..... минуты		Символ предупреждения об опасности
			Переменный ток	обороты или возвратно-поступательное движение в минуту
			Постоянный ток	
V	Вольт	n _c	Скорость без нагрузки	
A	Ампер			


Положение даты штрих-кода

Дата кода, который также включает год изготовления, печатается на корпусе.

Пример:

2017 XX JN
 Год изготовления

Электрическая безопасность

 Ваше зарядное устройство защищено двойной изоляцией, поэтому заземляющий провод не требуется. Всегда проверяйте, чтобы напряжение сети соответствовало напряжению, указанному на заводской табличке. Никогда не пытайтесь заменить зарядный блок стандартным сетевым штепселем.

- Если шнур питания поврежден, он должен быть заменен производителем или уполномоченным сервисным центром STANLEY для того, чтобы избежать опасности.

Использование удлинителя

- Если необходим удлинительный кабель, используйте утвержденный кабель-удлинитель, подходящий для входной мощности данного инструмента (см технические данные). Минимальный размер проводника 1,5 мм².

При использовании кабельного барабана, всегда разматывайте кабель полностью.

Также смотрите в таблице ниже.

- Проверьте, не поврежден ли инструмент, детали и аксессуары, которые могут произойти во время транспортировки.
- Потратьте время, чтобы внимательно прочитать и понять данную инструкцию перед началом работы.

Описание (рис. А)

1. Переключатель плавного хода
2. Фиксатор клавиши
3. Ползунок вперед/назад
4. Селектор режима
5. Вентиляционные отверстия
6. Боковая рукоятка
7. Рычаг регулировки глубины
8. Быстрозажимной патрон
9. Рукав
10. Быстрый набор

Сборка

Предостережение! Перед сборкой, пожалуйста, убедитесь, что электроинструмент выключен и вилка шнура питания инструмента отключена от источника питания.

Выберите режим работы (рис В). Этот инструмент может быть использован в двух режимах:



Вращательное сверление: для стали, дерева и пластмасс.



Ударное сверление: одновременное вращение и осуществление буровых работ в бетонной и каменной кладке.

- Выберите нужный режим работы, установив переключатель режимов (4) в требуемое положение.

Установка и снятие сверла (рис. А, D)**Быстрозажимной патрон**

STDH8013C представляет быстрозажимной патрон (8) для ещё большего удобства в использовании.

Чтобы вставить сверло или другую насадку.

- Одной рукой обхватите заднюю часть патрона, другой рукой поворачивайте переднюю часть патрона в направлении против часовой стрелки, как показано на Рисунке D. Продолжайте поворачивать, пока патрон не раскроется достаточно для того, чтобы вставить в него нужную насадку.
- Вставьте хвостовик сверла или другой насадки в патрон на глубину приблизительно 19 мм и надёжно затяните, одной рукой удерживая заднюю часть патрона, другой рукой поворачивая переднюю часть патрона в направлении по часовой стрелке. Когда патрон будет почти затянут, послышатся щелчки. После 4-6 щелчков насадка будет надёжно затянута в патроне.
- Чтобы извлечь насадку, повторите шаг 1.

Внимание! Не пытайтесь закрепить сверло (или какую-либо другую насадку), захватив переднюю часть патрона и одновременно включив инструмент. Это может привести к повреждению патрона и получению травмы.

Снятие быстрозажимного патрона (Рис. D)

Зажмите в патроне короткий конец шестигранного ключа

(не входит в комплект поставки инструмента). Мягким молотком или обрезком заготовки постучите по длинному концу ключа, поворачивая его против часовой стрелки. Ослабив, таким образом, патрон, отвинтите его вручную.

Установка быстрозажимного патрона (Рис. D)

Навинтите патрон вручную до упора. Зажмите в патроне короткий конец шестигранного ключа (не входит в комплект поставки инструмента) и мягким молотком постучите по длинному концу ключа, поворачивая его по часовой стрелке.

Установка боковой рукоятки (рис. А)

Боковая рукоятка (6) может быть установлена для удобства как правой, так и левой.



Всегда используйте дрель с правильно установленной боковой рукояткой.

- Ослабьте боковую рукоятку.
- Для правой, сдвиньте боковую рукоятку зажима над воротником за патроном, рукоятка слева.
- Для левой, сдвиньте боковую рукоятку зажима над воротником за патроном, рукоятка справа.
- Поверните боковую рукоятку в желаемое положение и затяните ручку.

Установка глубины сверления (Рис. С)

- Вставьте нужное сверло в патрон.
- Ослабьте вспомогательную рукоятку (6).
- Установите рычаг регулировки глубины (7) в месте боковой ручки.
- Отрегулируйте глубину сверления, как показано на рисунке.
- Затяните боковую рукоятку.

Ползунок вперед/назад (рис. А)

- Для выбора вращения вперед или назад, используйте переключатель вперед/назад (3) (см. на стрелку на инструменте).



Обязательно дождитесь, чтобы двигатель полностью остановился перед изменением направления вращения.

Инструкция по применению

- Всегда соблюдайте инструкции по технике безопасности, а также другие предписания.
- Необходимо знать о местонахождении трубопроводов и электропроводки.
- Применяйте только легкое надавливание на инструмент. Чрезмерное надавливание не ускоряет сверление, а снижает производительность инструмента и может сократить срок его службы.
- Надевайте защитные наушники при работе с ударной дрелью. Шум может привести к потере слуха.

- Используйте дополнительные ручки, поставляемые с инструментом. Потеря контроля может привести к травме.
- Держите инструмент за изолированные поверхности при выполнении действий, при которых режущий инструмент может задеть скрытую проводку или собственный кабель. При контакте с «живым» проводом, металлические части электроинструмента могут привести к удару электрическим током.
- При работе с электроинструментом в сыром месте, используйте устройство защитного отключения (УЗО). Использование УЗО снижает риск поражения электрическим током.

До работы

- Вставьте соответствующее сверло.
- Отметьте место, где должно быть просверлено отверстие.

Правильное положение рук (рис. А, Е)



Предупреждение: Чтобы уменьшить риск получения серьезной травмы, ВСЕГДА держите руки в правильном положении, как показано на рисунке.



Предупреждение: Чтобы уменьшить риск получения серьезной травмы, ВСЕГДА надежно удерживайте инструмент для предупреждения внезапной реакции.

Для правильного положения рук во время работы необходимо, чтобы одна рука была на боковой рукоятке (6), а другая на главной ручке.

Включение и выключение

- Чтобы включить инструмент, нажмите переключатель плавного хода (1). Скорость инструмента зависит от того, насколько вы нажмете выключатель.
- Для непрерывной работы нажмите фиксатор клавиши (2) и отпустите переключатель плавного хода. Эта опция доступна только на полной скорости.
- Чтобы включить инструмент, отпустите кнопку переключателя плавного хода. Чтобы выключить инструмент при работе в непрерывном режиме, нажмите клавишу переключателя плавного хода еще раз и отпустите его.
- В зависимости от применения, поверните ручку быстрого набора (11) для достижения максимальной скорости.

Сверление в металле.

Начинайте сверление с низкой скоростью, постепенно увеличивая мощность и применяя сильное надавливание на инструмент. Спокойный, ровный выход

металлической стружки указывает на правильную частоту сверления. Используйте режущую смазку при сверлении металлов. Исключения составляют чугун и латунь, которые необходимо сверлить сухими.

Примечание: Отверстия большего диаметра [5/16" (8 мм) до 1/2" (13 мм)] в стали легче просверлить, если сначала сделать пилотное отверстие [5/32" (4 мм), 3/16" (5 мм)].

Сверление в дереве.

Начинайте сверление с низкой скоростью, постепенно увеличивая мощность и применяя сильное надавливание на инструмент. Отверстия в дереве могут быть сделаны теми же сверлами, которые используются для металла. Сверла могут перегреваться, периодически вынимайте их из отверстия. Заготовки, от которых могут лететь осколки, должны быть усилены блоком древесины.

Бурение в кладке.

При бурении в кирпичной кладке, используйте сверла из твердых сплавов, рассчитанные для ударного сверления и обязательно убедитесь, что, сверла достаточно острые. Используйте постоянное и уверенное надавливание на инструмент, для наиболее эффективного сверления. Гладкий, ровный поток пыли указывает на правильную частоту бурения.

Завинчивание

- Выберите прямое или обратное вращение

Ударное сверление (рис. А)

- Выберите режим
- Нажмите выключатель (1).

Вращательное сверление (рис. А)

- Выберите режим поворотного сверления
- Действуйте согласно инструкции для ударного сверления.

Обратитесь к своему дилеру для получения дополнительной информации о соответствующих аксессуарах.

Аксессуары

Производительность электроинструмента зависит от его аксессуаров. Аксессуары STANLEY разработаны в соответствии с высокими стандартами качества, чтобы повысить производительность электроинструмента. Использование этих аксессуаров может помочь вам удобно работать с инструментом.

Обслуживание

Проводные и беспроводные инструменты STANLEY имеют сложные конструкции и могут быть использованы в течение длительного времени при минимальном техническом обслуживании. Для последовательного удовлетворительного использования, необходимо надлежащее техническое обслуживание и регулярная чистка инструмента.

Предостережение! Перед выполнением любых работ по техобслуживанию проводных/беспроводных электрических инструментов, необходимо выполнить следующие требования:

- Выключите питание оборудования/инструментов и вытащите вилку;
- Если оборудование/инструмент имеют независимую аккумуляторную батарею, пожалуйста, выключите питание и извлеките аккумулятор из оборудования/инструмента.
- Если оборудование/инструменты оснащены встроенным аккумулятором, пожалуйста, вытащите из него батарейку, перед выключением питания.
- Перед чистой отключите вилку зарядного устройства от источника питания. Кроме того, за исключением регулярной чистки вашего зарядного устройства, другое обслуживание не требуется.
- Регулярно используйте мягкую щетку или сухую тряпку для очистки вентиляционных отверстий оборудования/инструментов/зарядного устройства.
- Регулярно используйте влажную ткань для очистки корпуса двигателя. Пожалуйста, не используйте абразивные чистящие средства или чистящие средства на основе растворителей.
- Регулярно открывайте патрон и поверните его осторожно, чтобы удалить какую-либо пыль внутри (после установки).



Чистка



Предостережение! Если вы видите пыль на и/или вокруг вентиляционных портов, немедленно удалите пыль из корпуса при помощи чистого сухого воздуха. Для выполнения этой процедуры, пользуйтесь соответствующими средствами обеспечения безопасности и респиратором.



Предостережение! Строго запрещено очищать неметаллические детали инструмента с помощью растворителей или других раздражающих химических веществ. Эти химикаты могут нанести вред материалам, из которых изготовлены данные компоненты. Для чистки используйте ткань, смоченную в слабом мыльном растворе. Не допускайте попадания

вещества внутрь инструмента и не опускайте какую-либо часть инструмента в жидкость.

Защита окружающей среды



Раздельный сбор. Данное изделие нельзя утилизировать вместе с обычными бытовыми отходами.

Если однажды Вы захотите заменить Ваш электроинструмент STANLEY, или Вы больше в нем не нуждаетесь, не выбрасывайте его вместе с бытовыми отходами. Отнесите изделие в специальный приемный пункт.



Фирма STANLEY обеспечивает прием и переработку отслуживших свой срок изделий STANLEY. Чтобы воспользоваться этой услугой,

Вы можете сдать Ваше изделие в любой авторизованный сервисный центр, который собирает их по нашему поручению. Вы можете узнать место нахождения Вашего

ближайшего авторизованного сервисного центра, обратившись в Ваш местный офис STANLEY по адресу, указанному в данном руководстве по эксплуатации. Кроме того, список авторизованных сервисных центров STANLEY и полную информацию о нашем послепродажном обслуживании и контактах Вы можете найти в интернете по адресу: www.2helpU.com.

Информационная служба

STANLEY предлагает полную сеть авторизованных сервисных центров, принадлежащих компании по всей Азии. Все сервисные центры STANLEY укомплектованы персоналом, прошедшим обучение, чтобы предоставить клиентам эффективный и надежный сервис. Независимо нужен ли вам технический совет, ремонт или оригинальные запасные части, вам необходимо обратиться в ближайший к вам сервисный центр STANLEY.

Примечания

- Политика STANLEY является процессом непрерывного совершенствования нашей продукции и, таким образом, мы оставляем за собой право изменять спецификацию продукта без предварительного уведомления.
- Стандартное оборудование и аксессуары могут варьировать в зависимости от страны.
- Характеристики могут различаться в зависимости от страны.
- Полный ассортимент продукции может варьировать в зависимости от страны. Свяжитесь с вашим местным дилером STANLEY для получения информации о наличных моделях.

Технические данные

Ударная дрель		STDH8013C
Напряжение	V	220-240
Частота	Hz	50/60
Входная мощность	W	800
Скорость без нагрузки	/мин	0-3000
Частота ударов	IPM	0-54000
Обороты вперед/назад		Да
Объем зажимного патрона	мм	1,5-13
Максимальная емкость		
Бетон	мм	16
Металл	мм	13
Дерево	мм	32
Вес	кг	2,5

STANLEY

Гарантийные условия

Уважаемый покупатель!

1. Поздравляем Вас с покупкой высококачественного изделия STANLEY и выражаем признательность за Ваш выбор.
2. При покупке изделия требуйте проверки его комплектности и исправности в Вашем присутствии, инструкцию по эксплуатации и заполненный гарантийный талон на русском языке.
В гарантийном талоне должны быть внесены: модель, дата продажи, серийный номер, дата производства инструмента; название, печать и подпись торговой организации. При отсутствии у Вас правильно заполненного гарантийного талона, а также несоответствия указанных в нем данных мы будем вынуждены отклонить Ваши претензии по качеству данного изделия.
3. Во избежание недоразумений убедительно просим Вас перед началом работы с изделием внимательно ознакомиться с инструкцией по его эксплуатации. Правовой основой настоящих гарантийных условий является действующее Законодательство. Гарантийный срок на данное изделие составляет 24 месяца и исчисляется со дня продажи. В случае устранения недостатков изделия, гарантийный срок продлевается на период его нахождения в ремонте. Срок службы изделия составляет 5 лет со дня продажи.
4. В случае возникновения каких-либо проблем в процессе эксплуатации изделия рекомендуем Вам обращаться только в уполномоченные сервисные центры STANLEY, адреса и телефоны которых Вы сможете найти в гарантийном талоне, на сайте www.2helpU.com или узнать в магазине. Наши сервисные станции - это не только квалифицированный ремонт, но и широкий ассортимент запчастей и принадлежностей.
5. Производитель рекомендует проводить периодическую проверку и техническое обслуживание изделия в уполномоченных сервисных центрах.

EAC

Изготовитель

Блэк энд Деккер Холдингс ГмБХ
Германия, 65510, Идштайн,
ул. Блэк энд Деккер, 40

6. Наши гарантийные обязательства распространяются только на неисправности, выявленные в течение гарантийного срока и вызванные дефектами производства и \ или материалов.
7. **Гарантийные условия не распространяются на неисправности изделия, возникшие в результате:**
 - 7.1. Несоблюдения пользователем предписаний инструкции по эксплуатации изделия, применения изделия не по назначению, неправильном хранении, использования принадлежностей, расходных материалов и запчастей, не предусмотренных производителем.
 - 7.2. Механического повреждения (сколы, трещины и разрушения) внутренних и внешних деталей изделия, основных и вспомогательных рукояток, сетевого электрического кабеля, вызванного внешним ударным или любым иным воздействием
 - 7.3. Попадания в вентиляционные отверстия и проникновение внутрь изделия посторонних предметов, материалов или веществ, не являющихся отходами, сопровождающими применение изделия по назначению, такими как: стружка, опилки, песок, и пр.
 - 7.4. Воздействий на изделие неблагоприятных атмосферных и иных внешних факторов, таких как дождь, снег, повышенная влажность, нагрев, агрессивные среды, несоответствие параметров питающей электросети, указанных на инструменте.
 - 7.5. Стихийного бедствия. Повреждение или утрата изделия, связанное с непредвиденными бедствиями, стихийными явлениями, в том числе вследствие действия непреодолимой силы (пожар, молния, потоп и другие природные явления), а так же вследствие перепадов напряжения в электросети и другими причинами, которые находятся вне контроля производителя.
8. **Гарантийные условия не распространяются:**
 - 8.1. На инструменты, подвергавшиеся вскрытию, ремонту или модификации вне уполномоченного сервисного центра.
 - 8.2. На детали и узлы, имеющие следы естественного износа, такие как: приводные ремни и колеса, угольные щетки, смазка, подшипники, зубчатое зацепление редукторов, резиновые уплотнения, сальники, направляющие ролики, муфты, выключатели, бойки, толкатели, стволы, и т.п.
 - 8.3. На сменные части: патроны, цанги, зажимные гайки и фланцы, фильтры, аккумуляторные батареи, ножи, шлифовальные подошвы, цепи, звездочки, пыльные шины, защитные кожухи, пилки, абразивы, пыльные и абразивные диски, фрезы, сверла, буры и т.п.
 - 8.4. На неисправности, возникшие в результате перегрузки инструмента (как механической, так и электрической), повлекшей выход из строя одновременно двух и более деталей и узлов, таких как: ротора и статора, обеих обмоток статора, ведомой и ведущей шестерни редуктора или других узлов и деталей. К безусловным признакам перегрузки изделия относятся, помимо прочего: появление цветов побелалости, деформация или оплавление деталей и узлов изделия, потемнение или обугливание изоляции проводов электродвигателя под воздействием высокой температуры.



Приложение к руководству по эксплуатации

Перфораторы

Модели: STD5510, STDH5510, STDH6513, STDH8013, STDH8013C, STDH7013, STDH6013, STDR3565, STDH7213, FME140, FME142, FME190. Шуруповерт по гипскартону.

Модель: STD5206.

Сделано в Китае.

Сертификат №RU C-DE.AЯ46.B.68353

Действителен до: 12 марта 2018 г.

Выдан: Орган по сертификации "РОСТЕСТ- Москва" ЗАО "Региональный орган по сертификации и тестированию", Адрес: 119049,г. Москва, улица Житная, д. 14, стр. 1; 117418,Москва, Нахимовский просп., 31 (фактический), Телефон: (499) 1292311, (495) 6682893, Факс: (495) 6682893, E-mail: office@rostest.ru,

Изготовитель: Блэк энд Деккер Холдингс ГмБХ

Германия, 65510, Идштайн,

ул. Блэк энд Деккер, 40

Хранение.

Необходимо хранить в сухом месте, вдали от источников повышенных температур и воздействия солнечных лучей. При хранении необходимо избегать резкого перепада температур. Хранение без упаковки не допускается

Срок службы.

Срок службы.

Срок службы изделия составляет 5 лет. Не рекомендуется к эксплуатации по истечении 5 лет хранения с даты изготовления без предварительной проверки.

Дата изготовления (код даты) указана на корпусе инструмента.

Код даты, который также включает год изготовления, отштампован на поверхности корпуса изделия.

Пример:

2014 46 XX, где 2014 –год изготовления, 46-неделя изготовления.

Определить месяц изготовления по указанной неделе изготовления можно согласно приведенной ниже таблице.

Уполномоченные изготовителем юр.лицо:

ООО "Стэнли Блэк энд Деккер",117485, город Москва, улица Обручева, дом 30/1, строение 2

Телефон: + 7 (495) 258-3981, факс: + 7 (495) 258-3984, E-mail: info@dewalt.com

Сведения о импортере указаны в эксплуатационных документах и/или на упаковке

Транспортировка.

Категорически не допускается падение и любые механические воздействия на упаковку при транспортировке.

При разгрузке/погрузке не допускается использование любого вида техники, работающей по принципу зажима упаковки.

Перечень критических отказов, возможные ошибочные действия персонала.

Не допускается эксплуатация изделия:

- При появлении дыма из корпуса изделия
- При поврежденном и/или оголенном сетевом кабеле
- при повреждении корпуса изделия, защитного кожуха, рукоятки
- при попадании жидкости в корпус
- при возникновении сильной вибрации
- при возникновении сильного искрения внутри корпуса

Критерии предельных состояний.

- При поврежденном и/или оголенном сетевом кабеле
- при повреждении корпуса изделия

Месяц	Январь	Февраль	Март	Апрель	Май	Июнь	Июль	Август	Сентябрь	Октябрь	Ноябрь	Декабрь	Год производства
Неделя	01	05	09	14	18	22	27	31	36	40	44	49	2014
	02	06	10	15	19	23	28	32	37	41	45	50	
	03	07	11	16	20	24	29	33	38	42	46	51	
	04	08	12	17	21	25	30	34	39	43	47	52	
	05	09	13	18	22	26	31	35	40	44	48		
			14			27							
Неделя	01	05	09	14	18	23	27	31	36	40	44	49	2015
	02	06	10	15	19	24	28	32	37	41	45	50	
	03	07	11	16	20	25	29	33	38	42	46	51	
	04	08	12	17	21	26	30	34	39	43	47	52	
	09	13	18	22	27	31	35	40	44	48	53		
			14					36			49		
Неделя	01	05	09	13	17	22	26	31	35	39	44	48	2016
	02	06	10	14	18	23	27	32	36	40	45	49	
	03	07	11	15	19	24	28	33	37	41	46	50	
	04	08	12	16	20	25	29	34	38	42	47	51	
	09	13	17	21	26	30	35	39	43	48	52		
			22					44					
Неделя	01	05	09	13	18	22	26	31	35	39	44	48	2017
	02	06	10	14	19	23	27	32	36	40	45	49	
	03	07	11	15	20	24	28	33	37	41	46	50	
	04	08	12	16	21	25	29	34	38	42	47	51	
	05	09	13	17	22	26	30	35	39	43	48	52	
					31			44					

Використання за призначенням

Ваш ударний дріль виробництва компанії STANLEY STDH8013C був розроблений для свердління деревини, металу, пластику та цегли, а також для викомалтання в якості шурупокрута. Інструмент призначений для професійного викомалтання.

Інструкції з техніки безпеки

Загальні попередження з техніки безпеки електроінструментів



Увага! Ознайомтеся з усіма правилами безпеки та інструкціями. Недотримання попереджень та інструкцій, зазначених нижче, може призвести до ураження електричним струмом, пожежі та/або серйозної травми.

Збережіть всі попередження та інструкції для майбутнього використання. Термін "електроінструмент" у всіх попередженнях, зазначених нижче, відноситься до мережевого (з кабелем) електроінструменту або акумуляторної батареї (без кабелю живлення).

1. Вказівки з техніки безпеки на робочому місці

- a. **Утримуйте робоче місце в чистоті і добре освітленим.** Безлад або погане освітлення на робочому місці можуть призвести до нещасного випадку.
- b. **Не працюйте з електроінструментом в місці зберігання вибухонебезпечних матеріалів, наприклад, у присутності легкозаймистих рідин, газів або пилу.** Електричні інструменти створюють іскри, що можуть запалити пил або пари.
- c. **Забороняється перебування дітей та сторонніх осіб поблизу працюючого електричного інструменту.** Ви можете відволіктися і втратити контроль за роботою інструменту.

2. Електрична безпека

- a. **Вилка шнура живлення інструмента повинна відповідати мережевій розетці.** Забороняється вносити будь-які зміни у вилку шнура живлення. **Не використовуйте жодних вилок-перехідників із заземленими (зануленими) електроінструментами.** Відсутність змін у вилках шнурів живлення та відповідність електричних вилок і розеток знижує ризик ураження електричним струмом.
- b. **Не торкайтеся поверхонь заземлених чи занулених предметів, наприклад труб, радіаторів, електроплит або холодильників.** Заземлення чи занулення тіла підвищує ризик ураження електричним струмом.

- c. **Забороняється піддавати електричні інструменти впливу дощу чи підвищеної вологості.** При попаданні вологи всередину електричного інструмента підвищується ризик ураження електричним струмом.
- d. **Забороняється пошкоджувати шнур живлення.** У жодному разі не використовуйте шнур живлення для перенесення чи зміни положення інструмента; не тягніть за шнур, виймаючи вилку з розетки. **Не прокладайте шнур живлення поруч із гарячими предметами, мастилом, гострими краями і рухомими деталями.** Пошкодження й заплутування шнурів живлення підвищує ризик ураження електричним струмом.
- e. **Під час роботи з електричним інструментом за межами приміщень використовуйте відповідний подовжувач.** Використання подовжувача, призначеного для роботи поза приміщеннями, знижує ризик ураження електричним струмом.
- f. **Якщо електричним інструментом необхідно користуватись у вологому місці, слід використовувати пристрій захисного відключення (ПЗВ) електричної мережі.** Використання ПЗВ знижує ризик ураження електричним струмом.

3. Безпека персоналу

- a. **Під час роботи з електричним інструментом необхідно бути обачним, слідкувати за виконуваною роботою та керуватися здоровим глуздом.** Забороняється працювати з електричним інструментом у стані втоми чи під впливом наркотиків, алкоголю й лікарських препаратів. Ослаблення уваги навіть на мить може призвести до серйозної травми.
- b. **Використовуйте засоби індивідуального захисту.** Завжди користуйтеся засобами захисту очей. Використання у відповідних умовах засобів індивідуального захисту, наприклад пилозахисної маски, протиковзного захисного взуття, захисної каски або засобів захисту органів слуху, завжди знижує ризик отримання травми.
- c. **Не допускайте ненавмисного вмикання інструмента.** Перш ніж підключити джерело живлення та/або акумулятор, піднімати чи переносити інструмент, переконайтесь, що його вимикач переведено у положення «вимкнено». Якщо тримати палець на вимикачі під час перенесення інструмента чи підключення увімкненого інструмента до мережі, це підвищує ризик нещасного випадку.
- d. **Перш ніж увімкнути електричний інструмент, обов'язково вийміть із нього регульовальний чи гайковий ключ.** Ключ, залишений ключ на обертальній деталі інструмента, може призвести до травмування.

- e. **Не намагайтеся дотягнутися до важкодоступних місць. Завжди міцно тримайтеся на ногах і зберігайте рівновагу під час роботи.** Це дозволяє краще контролювати електричний інструмент у непередбачуваних ситуаціях.
- f. **Одягайте відповідний одяг. Забороняється одягати вільний одяг або прикраси. Волосся, одяг та рукавиці повинні знаходитися на максимальній відстані від рухомих деталей інструмента.** Вільний одяг, прикраси або довге волосся можуть бути захоплені рухомими деталями.
- g. **Якщо встановлені пристрої підключення засобів пиловловлювання та пилозбірників, необхідно перевіряти, щоб вони були підключені та використовувалися належним чином.** Використання цих пристроїв знижує рівень ризику, пов'язаного з пилом.
- 4. Використання та догляд за електричним інструментом**
- a. **Не застосовуйте надмірне зусилля до електричного інструмента. Використовуйте електричний інструмент тільки за призначенням.** Правильно підібраний електроінструмент дозволить виконати роботу краще і безпечніше при швидкості, для якої він був розроблений.
- b. **Забороняється використовувати цей електричний інструмент, якщо не вдається ввімкнути чи вимкнути його вимикачем.** Будь-який електричний інструмент, роботою якого неможливо керувати за допомогою вимикача, є небезпечним, і його обов'язково потрібно відремонтувати.
- c. **Перш ніж регулювати електричний інструмент, замінювати на ньому приладдя чи класти на зберігання, необхідно витягти вилку живлення з розетки та/або зняти з нього акумулятор.** Такий превентивний захід безпеки знижує ризик випадкового увімкнення інструмента.
- d. **Зберігайте електричний інструмент, який в даний момент не використовується, в недоступному для дітей місці та не дозволяйте працювати з інструментом особам, які не знайомі з ним або з цими вказівками.** Електричний інструмент є небезпечним в руках ненавченої людини.
- e. **Підтримуйте інструмент в робочому стані. Перевіряйте центрування та з'єднання рухомих деталей, наявність пошкоджених деталей та будь-які фактори, які можуть негативно позначитися на роботі електричного інструмента.** У разі виявлення пошкодження електричний інструмент необхідно відремонтувати перед використанням. Багато нещасних випадків трапляється через неналежне технічне обслуговування електричних інструментів.
- f. **Ріжучі інструменти мають бути загостреними й чистими.** Підтримуваний у належному робочому стані ріжучий інструмент з гострими лезами менше

застряє, ним легше керувати.

- g. **Використовуйте електричний інструмент, приладдя, вставні різці і т. п. відповідно до даних вказівок, враховуючи умови експлуатації та роботу, яка має бути виконана.** Використання електричного інструменту не за призначенням може призвести до небезпечної ситуації.

5. Обслуговування

- a. **Обслуговувати електричний інструмент повинен тільки кваліфікований ремонтний персонал із використанням лише ідентичних запасних частин.** Це забезпечить утримання електричного інструмента у безпечному стані.

Додаткові заходи безпеки для електроінструментів



Застереження! Додаткові заходи безпеки для дрилів і ударних дрилів

Правила техніки безпеки при роботі з дрилем

- **Одягайте захисні навушники при роботі з ударними дрелями.** Вплив шуму може призвести до втрати слуху.
- **Використовуйте додаткові ручки, що поставляються з інструментом.** Втрата контролю може призвести до травми.
- **Тримайте інструмент за ізольованій поверхні при виконанні операцій, коли ріжучий інструмент може зачепити приховану проводку.** Ріжучі аксесуари при контакті з «живим» проводом, можуть відкрити металеві частини електроінструменту і вдарити оператора електричним струмом.
- **Використовуйте лежача або інший відповідний спосіб, щоб забезпечити і підтримувати оброблюваний виріб на стійкій платформі.** Проведення роботи по напрямку руки або проти вашого тіла, позбавляє стійкості і може призвести до втрати контролю.
- **Перед свердлінням стін, підлог і стель, перевірте розташування трубопроводів і електропроводки.**
- **Намагайтеся не доторкатися до кінчика свердла відразу ж після закінчення свердління, так як він може бути гарячим.**
- **Цей інструмент не призначений для використання особами (включаючи дітей) з обмеженими фізичними, чутливими або розумовими здібностями або з браком досвіду чи знань, якщо вони не були під контролем і керівництвом особи, яка контролює використання приладу або особою, відповідальною за їх безпеку.** Діти повинні бути під наглядом дорослих, щоб не допустити ніяких ігор з приладом.

- Призначення приладу описується в цьому посібнику. Використання будь-яких речей або пристосувань, виконання будь-яких операцій за допомогою цього інструменту, які не рекомендовані в цьому посібнику, можуть становити небезпеку отримання травм та/або пошкодження майна.

Безпека сторонніх осіб

- Цей інструмент не призначений для використання особами (включаючи дітей) з обмеженими фізичними, чутливими або розумовими здібностями або з браком досвіду чи знань, якщо вони не були під контролем і керівництвом особи, яка контролює використання приладу або відповідальна за їх безпеку.
- Діти повинні бути під наглядом дорослих, щоб не допустити ніяких ігор з приладом.

Залишкові ризики

Додаткові залишкові ризики можуть виникнути при використанні інструменту, які не можуть бути включені в описані тут правила техніки безпеки. Ці ризики можуть виникнути при неправильному або тривалому використанні виробу і т.п. Незважаючи на дотримання відповідних правил техніки безпеки та використання запобіжних пристроїв, деяких залишкових ризиків неможливо уникнути. Вони включають в себе:

- Травми в результаті торкання до обертових/рухомих частин.
- Ризик отримання травми під час зміни деталей інструменту, ножів або насадок.
- Травми, викликані тривалим використанням інструменту. При використанні інструменту протягом тривалого періоду часу, робіть регулярні перерви в роботі.
- Поганий слух
- Збиток здоров'ю внаслідок вдихання пилу при використанні інструменту (приклад: роботи з деревом, особливо, деревиною дуба, бука і деревоволокнистими плитами середньої щільності)

Етикетки на інструменті

Етикетки на вашому інструменті можуть включати такі символи:

	Читайте інструкції з експлуатації	Гц Герц		Конструкція класу II
	Використовуйте засоби захисту очей	Вт Ватт		Термінал заземлення
	Використовуйте засоби захисту органів слуху	мин хвилини		Символ попередження про небезпеку
		~ Змінний струм		обороти або зворотного поступального руху в хвилину
		----- Постійний струм	хв..	
V	Вольт	п ₀	Швидкість без навантаження	
A	Ампер			

Положення дати штрих-коду

Дата коду, який також включає рік виготовлення, друкується на корпусі.

Приклад:

2017 XX JN
Рік виготовлення

Електрична безпека



Ваш зарядний пристрій захищено подвійною ізоляцією, тому заземлюючий провід не потрібен. Завжди перевіряйте, щоб напруга мережі відповідає напрузі, вказаній на таблиці. Ніколи не намагайтеся замінити зарядний блок стандартним мережевим штепселем.

- Якщо шнур живлення пошкоджений, він повинен бути замінений виробником або уповноваженим сервісним центром STANLEY для того, щоб уникнути небезпеки.

Використання подовжувача

- Якщо необхідний подовжувач, використовуйте затверджений кабель-подовжувач, відповідний для вхідної потужності даного інструменту (див. технічні дані). Мінімальний розмір провідника 1,5 мм².

При використанні кабельного барабана, завжди розмотуйте кабель повністю.

Також дивіться в таблиці нижче.

- Перевірте, чи не пошкоджений інструмент, деталі і аксесуари, які можуть статися під час транспортування.
- Витратьте час, щоб уважно прочитати і зрозуміти цю інструкцію перед початком роботи.

Опис (мал. А)

1. Перемикач плавного ходу
2. Фіксатор клавіші
3. Повзунок вперед/назад
4. Селектор режиму
5. Вентиляційні отвори
6. Бічна рукоятка
7. Важіль регулювання глибини
8. Патрон (без ключа)
9. Рукав
10. Бистрий набір

Збірка

Застереження! Перед складанням, будь ласка, переконайтеся, що електроінструмент вимкнений і вилка шнура живлення інструменту відключена від джерела живлення.

Виберіть режим роботи (мал. В). Цей інструмент може бути використаний у двох режимах:



Обертальне свердління:

для сталі, дерева та пластмас.



Ударне свердління:

одночасне обертання і здійснення бурових робіт в бетонній і кам'яній кладці.

- Оберіть потрібний режим роботи, встановивши перемикач режимів (4) в необхідне положення.

Установка і зняття свердла (мал. А, D)

Швидкозатискний патрон

STDH8013C має швидкозатискний патрон (8) для легкої заміни свердл і аксесуарів.

Як вставити свердло або інший аксесуар.

- Візьміться за задню частину патрона однією рукою, а іншою рукою поверніть передню частину проти годинникової стрілки, як показано на малюнку D. Поверніть, так щоб переконатися, що патрон має достатній отвір, для вашого свердла, або аксесуара.
- Вставте біту або аксесуар приблизно на 19 мм (3/4") в патрон і надійно затягніть, утримуючи задню частину патрона і обертаючи передню частину в напрямку за годинниковою стрілкою. Коли патрон майже затиснув аксесуар, ви почуєте звук клацання. Після 4-6 кліків, аксесуар надійно стоїть в патроні і готовий до використання.
- Щоб витягнути аксесуар, повторіть крок 1, як описано вище.

Попередження! Не намагайтеся затягнути свердла (або будь-який інший аксесуар), захоплюючи передню частину патрона і повернувши інструмент. Пошкодження патрону може призвести до травми.

Знімання швидкозатискного патрону (Мал. D)

Затягніть патрон навколо короткого кінця шестигранного ключа (не входить в комплект). Використовуючи м'який молоток чи шматок дерева, вдарте по довгому кінцю шестигранного ключа проти годинникової стрілки. Це дозволить послабити патрон так, що його можна відгвинтити вручну.

Встановлення Швидкозатискного Патрону (Мал. D)

Затягніть патрон руками, настільки, на скільки це можливо. Затягніть патрон навколо короткого кінця шестигранного ключа (не входить в комплект) і вдарте по довгому кінцю шестигранного ключа за годинниковою стрілкою за допомогою м'якого молотка.

Установка бічної рукоятки (мал. А)

Бічна рукоятка (6) може бути встановлена для зручності як правшів, так і лівшів.



Завжди використовуйте дріль з правильно встановленою бічною ручкою.

- Послабте бічну рукоятку.
- Для правшів, посуňte бічну рукоятку затиску над комірцем за патроном, рукоятка ліворуч.
- Для лівшів, посуňte бічну рукоятку затиску над комірцем за патроном, рукоятка праворуч.
- Поверніть бічну рукоятку в бажане положення і затягніть ручку.

Установка глибини свердління (Рис. С)

- Вставте потрібне свердло в патрон.
- Послабте допоміжну рукоятку (6).
- Встановіть важіль регулювання глибини (7) через отвір в затиску бічної ручки.
- Відрегулюйте глибину свердління, як показано на малюнку.
- Затягніть бічну ручку.

Повзунок вперед/назад (мал. А)

- Для вибору обертання вперед або назад, використовуйте перемикач вперед/назад (3) (див. на стрілку на інструменті).



Обов'язково дочекайтеся, щоб двигун повністю зупинився перед зміною напрямку обертання.

Інструкція по застосуванню

- Завжди дотримуйтеся інструкції з техніки безпеки, а також інших правил.
- Необхідно знати про місцезнаходження трубопроводів і електропроводки.
- Застосовуйте лише легке натискання на інструмент. Надмірне натискання не прискорює свердління, а знижує продуктивність інструменту і може скоротити термін його служби.
- Одягайте захисні навушники при роботі з ударним дрилем. Шум може призвести до втрати слуху.
- Використовуйте додаткові ручки, що поставляються з інструментом. Втрата контролю може призвести до травми.
- Тримайте інструмент за ізольовані поверхні при виконанні дій, при яких ріжучий інструмент може зачепити приховану проводку або власний кабель. При контакті з «живим» проводом, металеві частини електроінструменту можуть привести до удару електричним струмом.
- При роботі з електроінструментом в сирому місці, використовуйте пристрій захисного відключення (ПЗВ). Використання ПЗВ знижує ризик ураження електричним струмом.

До роботи

- Вставте відповідне свердло.
- Відзначте місце, де має бути просвердлений отвір.

Правильне положення рук (рис. А, Е)



Попередження: Щоб зменшити ризик отримання серйозної травми, ЗАВЖДИ тримайте руки в правильному положенні, як показано на малюнку.



Попередження: Щоб зменшити ризик отримання серйозної травми, ЗАВЖДИ надійно утримуйте інструмент для попередження раптової реакції. Для правильного положення рук під час роботи необхідно, щоб одна рука була на бічній рукоятці (б), а інша на головній ручці.

Вмикання і вимикання

- Щоб включити інструмент, натисніть перемикач плавного ходу (1). Швидкість інструменту залежить від того, наскільки ви натиснете вимикач.
- Для безперервної роботи натисніть фіксатор клавіші (2) і відпустіть перемикач плавного ходу. Ця опція доступна тільки на повній швидкості.
- Щоб включити інструмент, відпустіть кнопку перемикача плавного ходу. Щоб вимкнути інструмент при роботі в безперервному режимі, натисніть клавішу перемикача плавного ходу ще раз і відпустіть його.
- Залежно від вживання, оберніть ручку швидкого набору (11) для досягнення максимальної швидкості.

Свердління в металі.

Починайте свердління з низькою швидкістю, поступово збільшуючи потужність і застосовуючи сильне натискання на інструмент. Спокійний, рівний вихід металевої стружки вказує на правильну частоту свердління. Використовуйте мастило при свердлінні металів. Винятки становлять чавун і латунь, які необхідно свердлимо сухими.

Примітка: Отвори більшого діаметру [5/16" (8 мм) до 1/2" (13 мм)] у сталі легше просвердлимо, якщо спочатку зробити пілотний отвір [5/32" (4 мм), 3/16" (5 мм)].

Свердління в дереві.

Починайте свердління з низькою швидкістю, поступово збільшуючи потужність і застосовуючи сильне натискання на інструмент. Отвори в дереві можуть бути зроблені тими ж свердлами, які використовуються для металу. Свердла можуть перегріватися, періодично виймайте їх з отвору. Заготовки, від яких можуть летіти осколки, повинні бути посилені блоком деревини.

Буріння в кладці.

При бурінні в цегляній кладці, використовуйте свердла з твердих сплавів, розраховані для ударного свердління та обов'язково переконайтеся, що, свердла досить гострі.

Використовуйте постійне і певнене натиснення на інструмент, для найбільш ефективного свердління. Гладкий, рівний потік пилу вказує на правильну частоту буріння.

Загвинчування

- Виберіть пряме або зворотне обертання

Ударне свердління (мал. А)

- Виберіть режим
- Натисніть вимикач (1).

Обертальне свердління (мал. А)

- Виберіть режим поворотного свердління
- Дійте згідно інструкції для ударного свердління.

Зверніться до свого дилера для отримання додаткової інформації про відповідні аксесуари.

Аксесуари

Продуктивність електроінструменту залежить від його аксесуарів. Аксесуари STANLEY розроблені у відповідності з високими стандартами якості, щоб підвищити продуктивність електроінструменту. Використання цих аксесуарів може допомогти вам зручно працювати з інструментом.

Обслуговування

Дротові і бездротові інструменти STANLEY мають складні конструкції і можуть бути використані протягом тривалого часу при мінімальному технічному обслуговуванні. Для послідовного задовільного використання, необхідно належне технічне обслуговування та регулярне чищення інструменту.

Застереження! Перед виконанням будь-яких робіт з техобслуговування дротових/бездротових електричних інструментів, необхідно виконати наступні вимоги:

- Вимкніть живлення обладнання/інструментів і витягніть вилку;
- Якщо обладнання/інструмент мають незалежну акумуляторну батарею, будь ласка, вимкніть живлення та вийміть акумулятор з обладнання/інструменту.
- Якщо обладнання/інструменти оснащені вбудованим акумулятором, будь ласка, витягніть з нього батарею, перед вимиканням живлення.
- Перед чищенням відключіть вилку зарядного пристрою від джерела живлення. Крім того, за винятком регулярного чищення вашого зарядного пристрою, інше обслуговування не потрібно.
- Регулярно використовуйте м'яку щітку або суху ганчірку для очищення вентиляційних отворів обладнання/інструментів/зарядного пристрою.

- Регулярно використовуйте вологу тканину для очищення корпусу двигуна. Будь ласка, не використовуйте абразивні чистячі засоби або чистячі засоби на основі розчинників.
- Регулярно відкривайте патрон і поверніть його обережно, щоб видалити який-небудь пил всередині (після установки).



Чищення



Застереження! Якщо ви бачите пил на і/або навколо вентиляційних портів, негайно видаліть пил з корпусу за допомогою чистого сухого повітря. Для виконання цієї процедури, користуйтеся відповідними засобами забезпечення безпеки і респиратором.



Застереження! Строго заборонено очищати неметалеві деталі інструменту за допомогою розчинників або інших дратівливих хімічних речовин. Ці хімікати можуть завдати шкоди матеріалам, з яких виготовлені дані компоненти. Для чищення використовуйте тканину, змочену в слабкому мильному розчині. Не допускайте попадання речовини всередину інструменту і не опускайте будь-яку частину інструменту в рідину.

Захист навколишнього середовища



Окреме збирання. Цей продукт не можна викидати разом зі звичайним побутовим сміттям.

Якщо якийсь ви вирішите, що ваш виріб фірми STANLEY має бути замінено, або він вам більше не потрібний, не викидайте його на смітник побутового сміття. Зробіть цей виріб доступним для спеціального збирання.



Компанія STANLEY має можливість для збору та переробки продуктів власного виробництва після закінчення їхнього терміну служби. Щоб

скористатися цією послугою, поверніть виріб компанії в офіційний сервісний центр, які збирають відпрацьовані продукти за наш рахунок.

Ви можете знайти місцезнаходження найближчого до Вас сервісного центру, зв'язавшись з місцевим офісом компанії STANLEY за адресою, вказаною в цих інструкціях. Крім того, список офіційних сервісних центрів компанії STANLEY з усіма подробицями нашого післяпродажного обслуговування та контактною інформацією міститься в Інтернеті за адресою: www.2helpU.com

інформаційна служба

STANLEY пропонує повну мережу авторизованих сервісних центрів, що належать компанії по всій Азії. Всі сервісні центри STANLEY укомплектовані персоналом,

який пройшов навчання, щоб надати клієнтам ефективний і надійний сервіс. Незалежно чи потрібна вам технічна рада, ремонт або оригінальні запасні частини, вам необхідно звернутися в найближчий до вас сервісний центр STANLEY.

Примітки

- Політика STANLEY є процесом безперервного вдосконалення нашої продукції і, таким чином, ми залишаємо за собою право змінювати специфікацію продукту без попереднього повідомлення.
- Стандартне обладнання та аксесуари можуть варіювати залежно від країни.
- Характеристики можуть відрізнятися в залежності від країни.
- Повний асортимент продукції може варіювати залежно від країни. Зв'яжіться з вашим місцевим дилером STANLEY для отримання інформації про моделі, що є в наявності.

Технічні дані

Ударний дріль	STDH8013C	
Напруга	V	220-240
Частота	Hz	50/60
Вхідна потужність	W	800
Швидкість без навантаження	/мин	0-3000
Частота ударів	IPM	0-54000
Обороти вперед/назад		Так
Обсяг затискного патрона	мм	1,5-13
Максимальна ємність		
Бетон	мм	16
Метал	мм	13
Дерево	мм	32
Вага	кг	2,5

STANLEY

Гарантійні умови

Шановний покупець!

1. Вітаємо Вас з покупкою високоякісного виробу STANLEY і висловлюємо вдячність за Ваш вибір.
2. При покупці виробу вимагайте перевірки його комплектності і справності у Вашій присутності, інструкцію з експлуатації та заповнений гарантійний талон українською мовою

В гарантійному талоні повинні бути внесені: модель, дата продажу, серійний номер, дата виробництва інструменту; назва, печатка і підпис торгової організації. За відсутності у Вас правильно заповненого гарантійного талону, а також при невідповідності зазначених у ньому даних ми будемо змушені відхилити Ваші претензії щодо якості даного виробу.

3. Щоб уникнути непорозумінь, переконливо просимо Вас перед початком роботи з виробом уважно ознайомитися з інструкцією з його експлуатації. Правовою основою справних гарантійних умов є чинне Законодавство. Гарантійний термін на даний виріб складає 24 місяці і обчислюється з дня продажу. У разі усунення недоліків виробу, гарантійний строк продовжується на період його перебування в ремонті. Термін служби виробу становить 5 років з дня продажу.
4. У разі виникнення будь-яких проблем у процесі експлуатації виробу рекомендуємо Вам звертатися тільки в уповноважені сервісні центри STANLEY, адреси та телефони яких Ви зможете знайти в гарантійному талоні, на сайті www.2helpU.com або дізнатися в магазині. Наші сервісні станції - це не тільки кваліфікований ремонт, але і широкий асортимент запчастин і аксесуарів.
5. Виробник рекомендує проводити періодичну перевірку і технічне обслуговування виробу в уповноважених сервісних центрах.
6. Наші гарантійні зобов'язання поширюються тільки на несправності, виявлені протягом гарантійного терміну і викликані дефектами виробництва та \ або матеріалів.
7. Гарантійні умови не поширюються на несправності виробу, що виникли в результаті:
 - 7.1 Недотримання користувачем приписів інструкції з експлуатації виробу, застосування виробу не за призначенням, неправильного зберігання, використання приладдя, витратних матеріалів і запчастин, що не передбачені виробником.
 - 7.2 Механічного пошкодження (відколи, тріщини і руйнування) внутрішніх і зовнішніх деталей виробу, основних і допоміжних рукояток, мережевого кабелю, що викликані зовнішнім ударним або будь-яким іншим впливом

- 7.3 Потрапляння у вентиляційні отвори та проникнення всередину виробу сторонніх предметів, матеріалів або речовин, що не є відходами, які супроводжують застосування виробу за призначенням, такими як: стружка, тирса, пісок, та ін.
- 7.4 Впливу на виріб несприятливих атмосферних і інших зовнішніх факторів, таких як дощ, сніг, підвищена вологість, нагрівання, агресивні середовища, невідповідність параметрів електромережі, що зазначені на інструменті.
- 7.5 Стихійного лиха. Пошкодження або втрати виробу, що пов'язані з непередбаченими лихами, стихійними явищами, у тому числі внаслідок дії непереборної сили (пожежа, блискавка, потоп і інші природні явища), а також внаслідок перепадів напруги в електромережі та іншими причинами, які знаходяться поза контролем виробника.
8. Гарантійні умови не поширюються:
 - 8.1. На інструменти, що піддавались розкриттю, ремонту або модифікації поза уповноваженим сервісним центром.
 - 8.2. На деталі, вузли та матеріали, що мають сліди природного зносу, такі як: приводні ремені і колеса, вугільні щітки, мастило, підшипники, зубчасті зчеплення редукторів, гумові ущільнення, сальники, направляючі ролики, муфти, вимикачі, бойки, штовхачі, стовпи тощо.
 - 8.3. На змінні частини: патрони, цанги, затискні гайки і фланці, фільтри, акумуляторні батареї, ножі, шліфувальні підшови, ланцюги, зірочки, пильні шини, захисні кожухи, пилки, абразиви, пильні і абразивні диски, фрези, свердла, бури тощо
 - 8.4. На несправності, що виникли в результаті перевантаження інструменту (як механічного, так і електричного), що спричинили вихід з ладу одночасно двох і більше деталей і вузлів, таких як: ротора і статора, обох обмоток статора, веденої і ведучої шестерень редуктора або інших вузлів і деталей. До безумовних ознак перевантаження виробу відносяться, крім інших: поява кольорів мінливості, деформація або оплавлення деталей і вузлів виробу, потемніння або обвуглювання ізоляції проводів електродвигуна під впливом високої температури.



Виробник:

"Stanley Black & Decker Deutschland GmbH" Black-&-Decker Str.40, D-65510 Idstein, Німеччина

